

IONAX5

MULTIPURPOSE | COMPACT | SIMPLE

Manufactured with renewable energy

- ✓ 100% Electric Mini Truck
- ✓ EU WTVA Certified (CE)
- ✓ 260 km Driving Range
- ✓ 600 kg Payload
- ✓ 20-80% Charging in 4 hours
- ✓ 1 h charge = \approx 30 km of range
- ✓ Sold in 24 Countries
- ✓ Trusted by Global Brands

IONAX5



30% Affordable ▶ EU WVTA Certified ▶ 50% Lower TCO ▶ No Emission ▶ No Congestion Fee ▶ Same Specs ▶ IONAX5 Wins

Do the Math. Choose Smart.

JONWAY

HIGHLIGHTS

20 kW

Peak power

70 km/h

Top speed (km/h)

4.5 hours

Charging time (20-80%)

EU Type2

Charger standard

200+ km

Real world range

550 kg

Payload capacity

23 kWh

Battery pack capacity

3.3 kW

On-Board Charger

Ideal for mobile coffee shops

The range will greatly vary depending on the individual driving/charging habits, driving speed, road/traffic conditions and weather. Due to rounding, numbers presented throughout this brochure may not add up precisely to the totals provided and percentages may not precisely reflect the absolute figures.

ABOUT US

JONWAY was established in 2020 within the Xuzhou, Peixian Economic Development Zone. Our company occupies a 175-hectare site that includes 150,000 m² of dedicated office, research-and-development and manufacturing facilities.

Our production commenced in 2021; by the end of 2025 we achieved a monthly output of 500 vehicles. With future expansion plan we will raise annual capacity to 100,000 units, with the majority of output directed to export markets.

Jonway EV's product portfolio consists of L-category battery-electric vehicles, covering micro passenger cars, light commercial vehicles, motorcycles, UTVs and ATVs. Since the initiation of overseas sales in 2023, Jonway EV has supplied vehicles to 24 countries through 35 partnerships. The IONAXs model has become the flagship offering, now operating daily in the fleets of a number of international corporate users. The cumulative fleet mileage exceeds 50 million kilometers, eliminating several thousand tonnes of CO₂ emissions and reducing millions in total-cost-of-ownership (TCO) for customers.

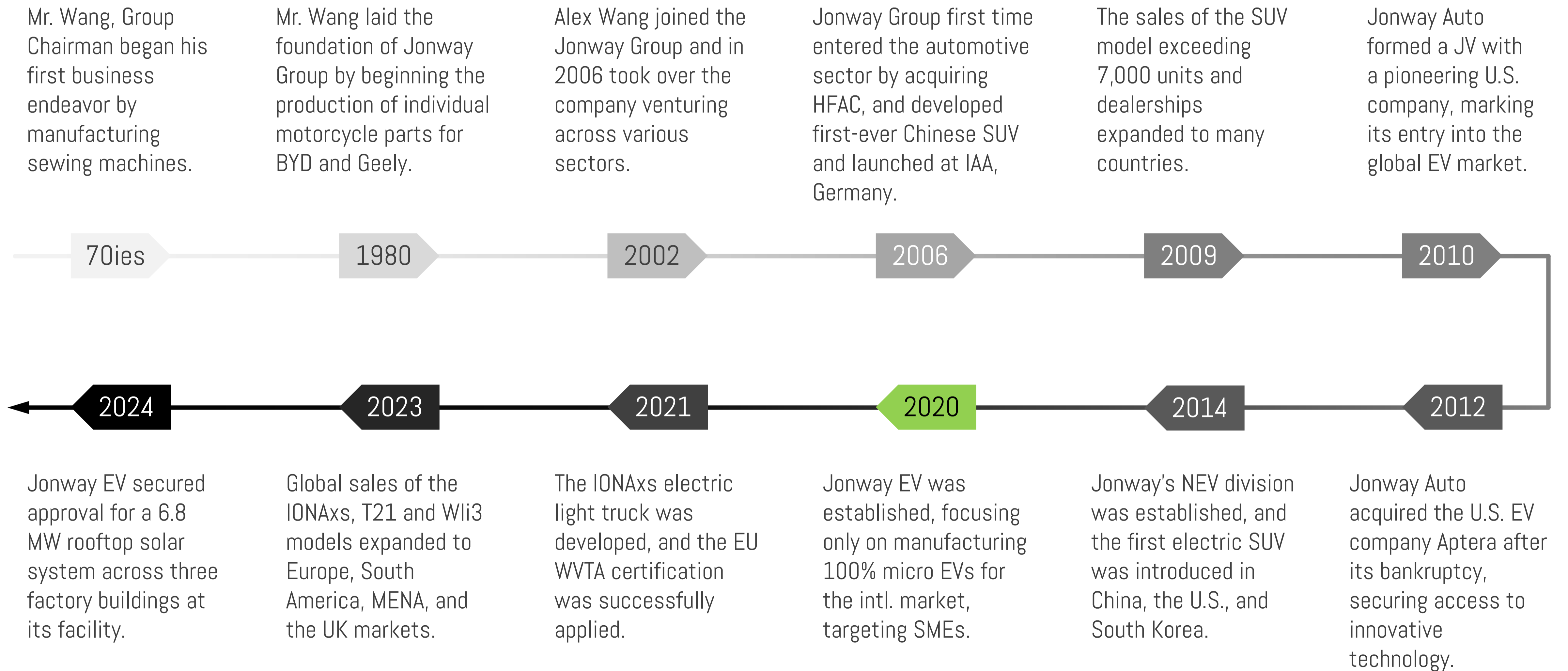
Jonway EV's workforce comprises engineers and managers recruited from leading domestic automobile manufacturers and prominent automotive-technology research institutions. This same team guides the product from concept through manufacturing, sales and after-sales service, providing a single, reliable point of contact for every customer.

We do not sell stock units; every vehicle is produced to order, delivering a truly demand-driven solution for SMEs worldwide.



Join our mission to speed up the adoption of mass-market micro electric vehicles.

MILESTONE



GREEN FACTORY

Every vehicle we make is manufactured with renewable energy.

Among on-site rooftop solar installations at automotive manufacturing facilities worldwide, Jonway EV's 6.8 MW system ranks #9 in the Top 10, exceeding the capacity of 16 other legacy manufacturers' systems across Europe, Asia, and North America.

Our installation is classified as a Scope 1 emission reduction measure according to ESG guidelines, as it involves on-site renewable energy generation owned and operated by Jonway EV.

Green Energy

6.8 MW

Rooftop solar power system

Generating

6.5 M

kWh green electricity/year

Eliminating

6k TON

CO2 Emissions/year

Cutting Coal

2k TON

Cutting coal usage per year

Planting Tree

300 K

Equivalent/year

Removing

1.4 K

diesel vans and trucks
(under 3.5 tons GVW)

PRODUCTION FACILITY

45% of our vehicle parts production is in-house



Frame Tooling Fixture



Vehicle Part Molds



Overhead Conveyor



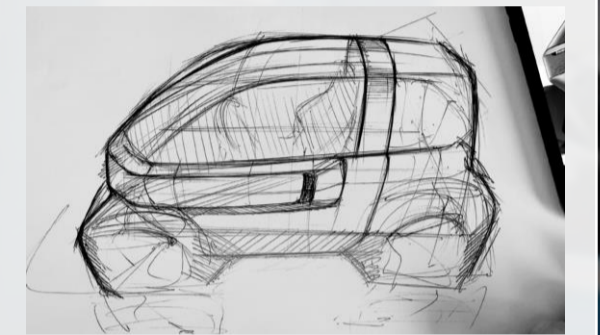
Plastic Injection Molding

OUR MANUFACTURING FACILITIES

Micro Passenger EVs | Light Commercial EVs | Electric 2-and-3-Wheeler | Motorcycles | UTVs | ATVs



JONWAY EV (PHASE 2)
Henan Province
Passenger Micro EV



JONWAY EV (PHASE 1)
Jiangsu Province
e3W + e4W + eLCV



JONWAY GROUP HQ
Zhejiang Province
Motorcycles





EFFICIENT

The IONAx is made to deliver significant cost savings and operational efficiency for small and medium-sized companies (SMEs) in many sectors., has already proven it since 2020.

By switching to the IONAx, businesses and individuals can reduce running costs between 50-60%, thanks to its efficient electric drivetrain that eliminates the need for oil changes and reduces brake wear through regenerative braking.

This makes it an ideal choice for delivery companies operating within a daily driving range of less than 150 km in urban areas with heavy traffic, congestion fees and in rural areas.

SMEs represent about 90% of businesses and more than 50% of employment worldwide. SMEs contribute up to 40% of national income (GDP) in emerging economies - World Bank

SUSTAINABLE

Ideal for Farm use

The IONAxS reduces emissions by ~75% compared to the same weight class diesel vans.

Battery production emission of IONAxS is paid off in just seven months or after 20k km.

Mileage: 146,000 km / 5 years

The IONAxS offers significant environmental benefits, eliminating tailpipe emissions and reducing air pollution to help businesses meet emission standards.

It removes the risk of oil spills entirely, minimizes noise pollution, and eliminates harmful odors associated with traditional gas and diesel vehicles.

By choosing the IONAxS, you support cleaner air, a greener future, and your community's sustainability goals.

IONAXS APPLICATIONS

IONAXs serves as a critical lifeline for businesses operating in regions with narrow public roads and limited vehicle access, daily congestion charges, operations averaging under 100 km, and tight budgets demanding lower total cost of ownership.

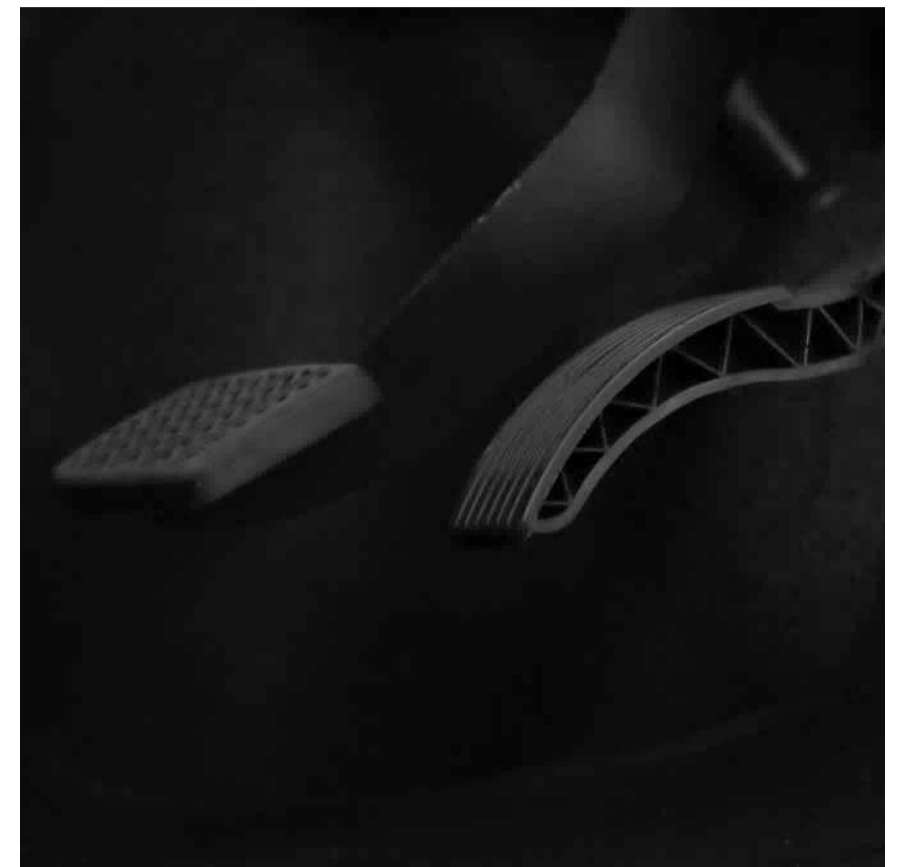
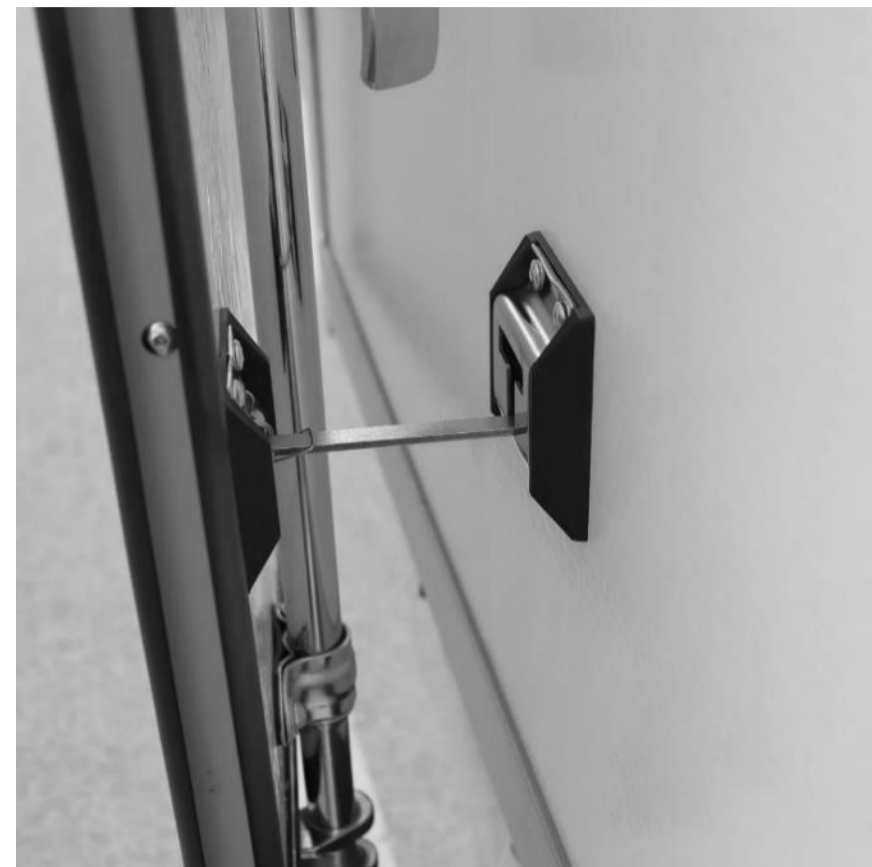
Today, IONAXs become central to last-mile delivery, seamlessly connecting warehouses to customers' doorsteps. The construction industry relies on IONAXs to transport tools, materials, and equipment to sites, while electricians and builders use it as a mobile workshop to keep operations running smoothly.

Beyond these core applications, IONAXs adapts to niche roles as a mobile food truck or waste-collection vehicle, and other applications as well, demonstrating its versatility across various business needs.

IONAXs presence is growing



DETAILS

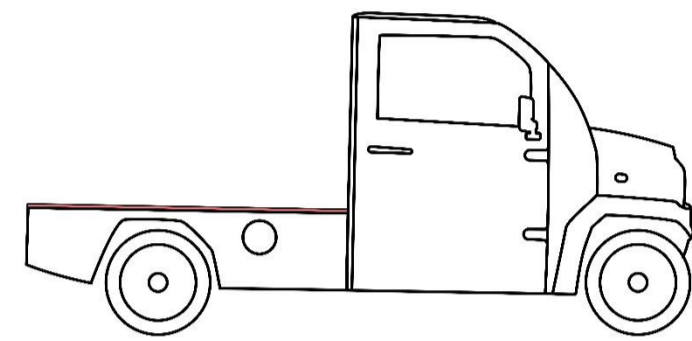


The image shows the interior of a car, focusing on the front passenger and driver seats. The seats are upholstered in black leather with a quilted diamond pattern and red stitching. The driver's side features a black steering wheel, a central infotainment screen, and a dashboard with air vents. The overall design is modern and minimalist.

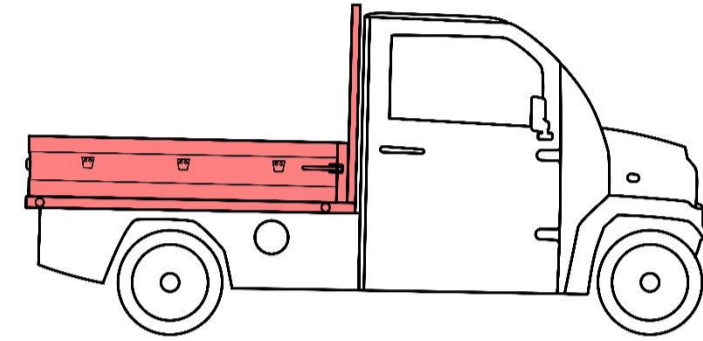
SIMPLE

1. LCD HD color display
2. USB port connection
3. Power steering wheel
4. Air conditioning Optional
5. LED headlights and taillights
6. Storage compartments
7. Acoustic Vehicle Alert System
8. Power windows
9. START/STOP button
10. Safety belt

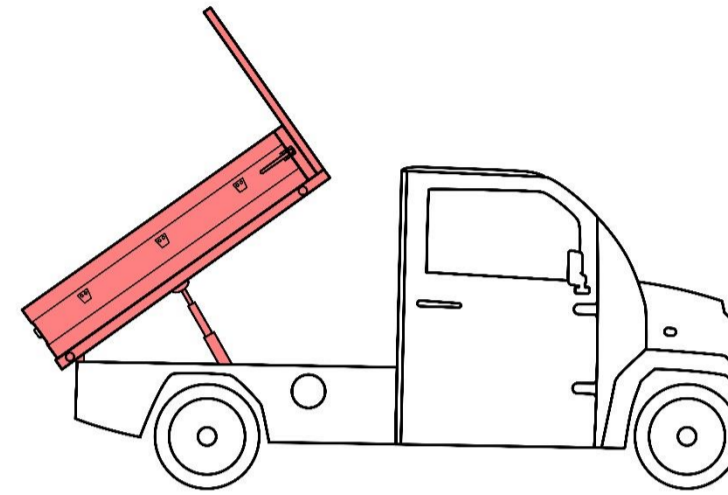
JONWAY CARGO CONFIGURATIONS



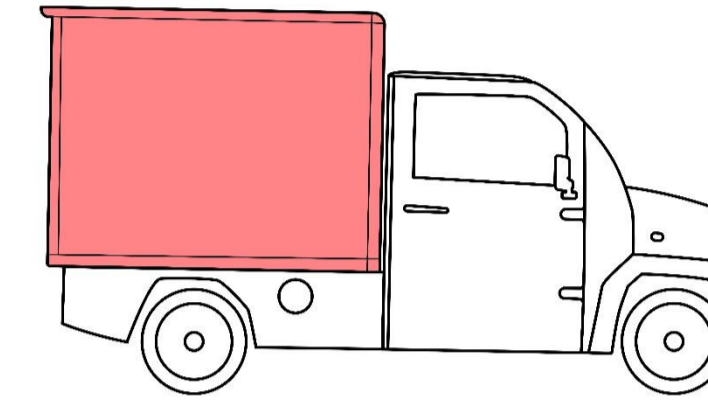
Flatbed



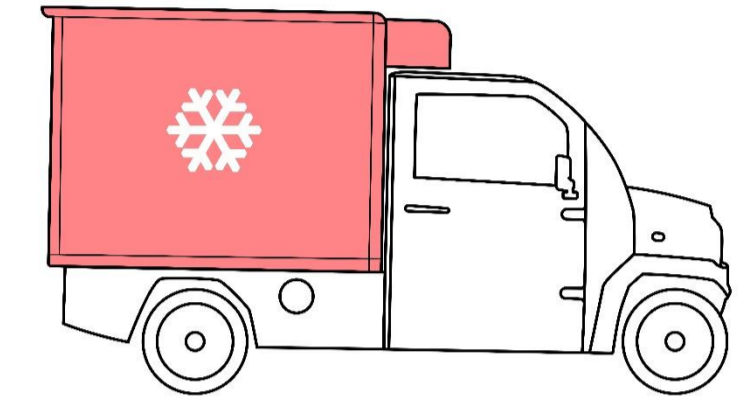
Pickup



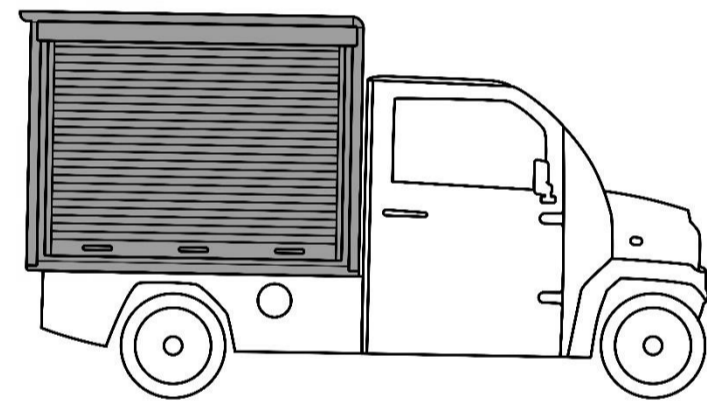
Tipper



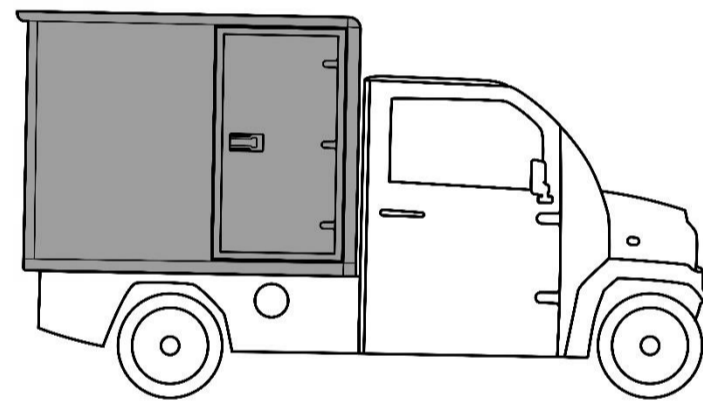
Cargo Box



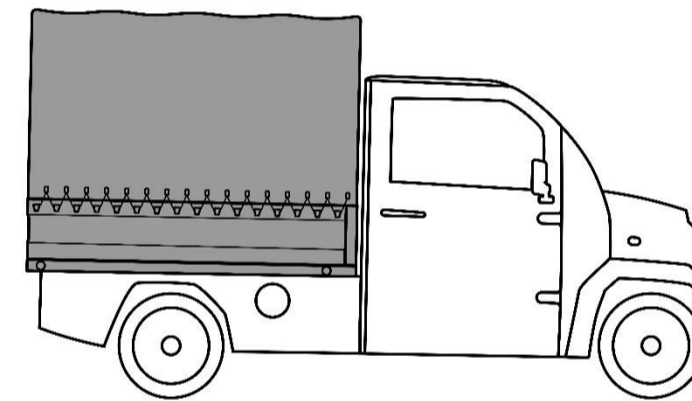
Refrigerated Box



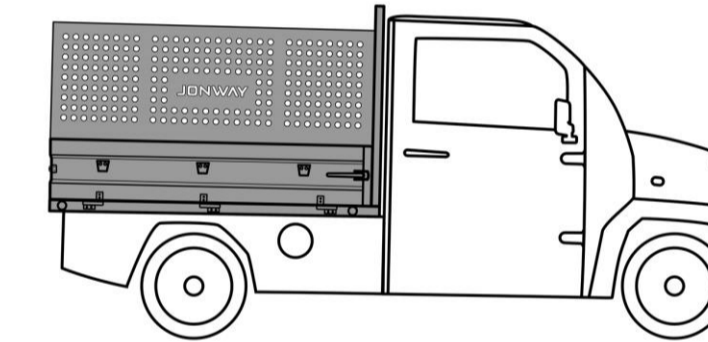
Cargo Box with roller shutter door *



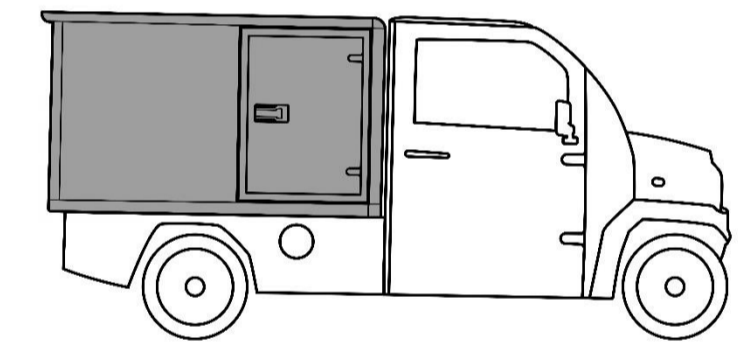
Cargo Box with side door *



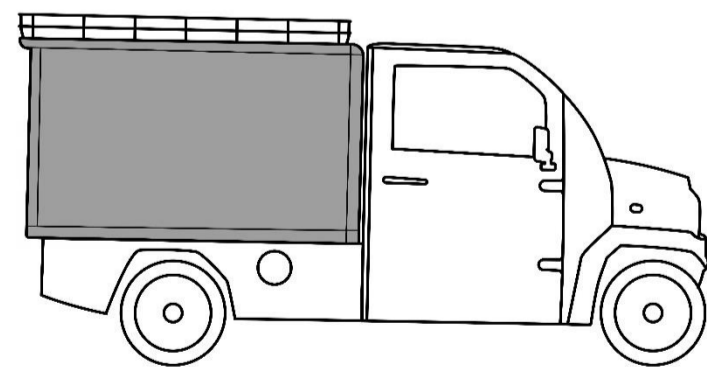
Cargo Box with tarpaulin cover *



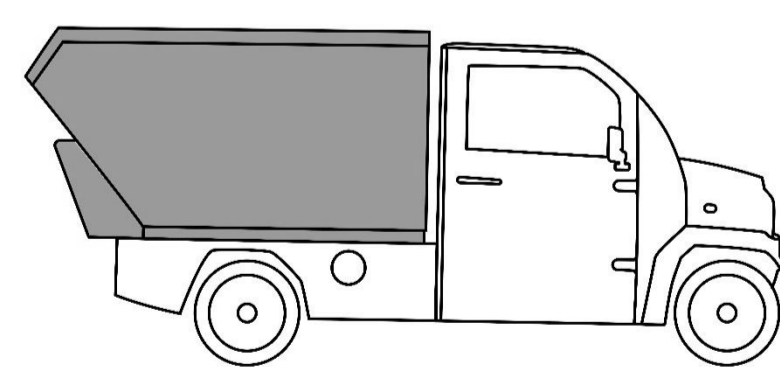
Pickup Mesh Box *



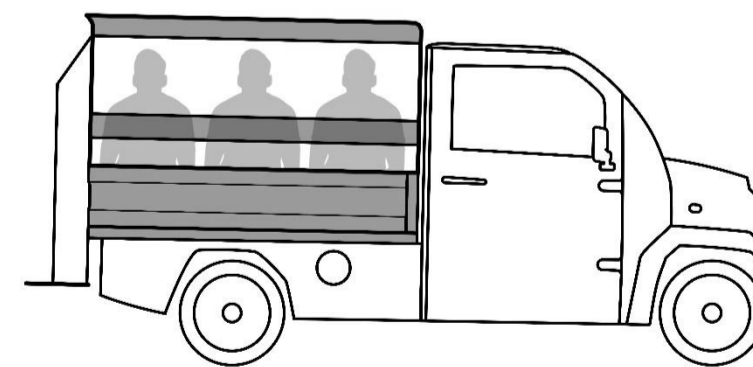
Small Cargo Box with side door *



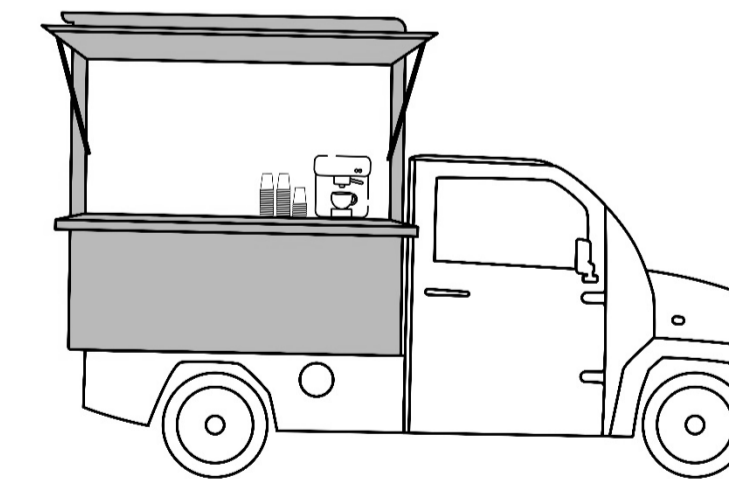
Small Cargo Box with roof rack *



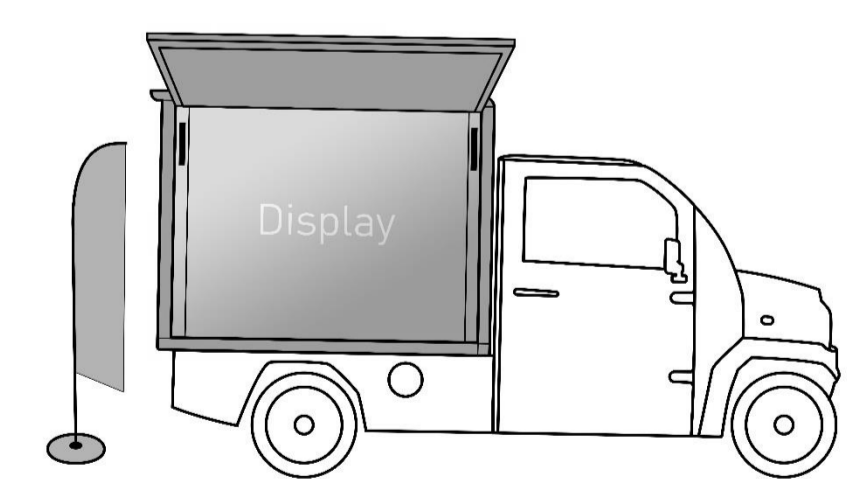
Waste Collection *



Cargo Box with tarpaulin cover *



Mobile Coffee shop *



Mobile Advertisement Screen *

* Available on a build-to-order basis and are offered upon request only.

Technical specifications and data are valid at the time of publishing. The product images shown are for illustrative purposes only. Specifications are subject to change without prior notice.

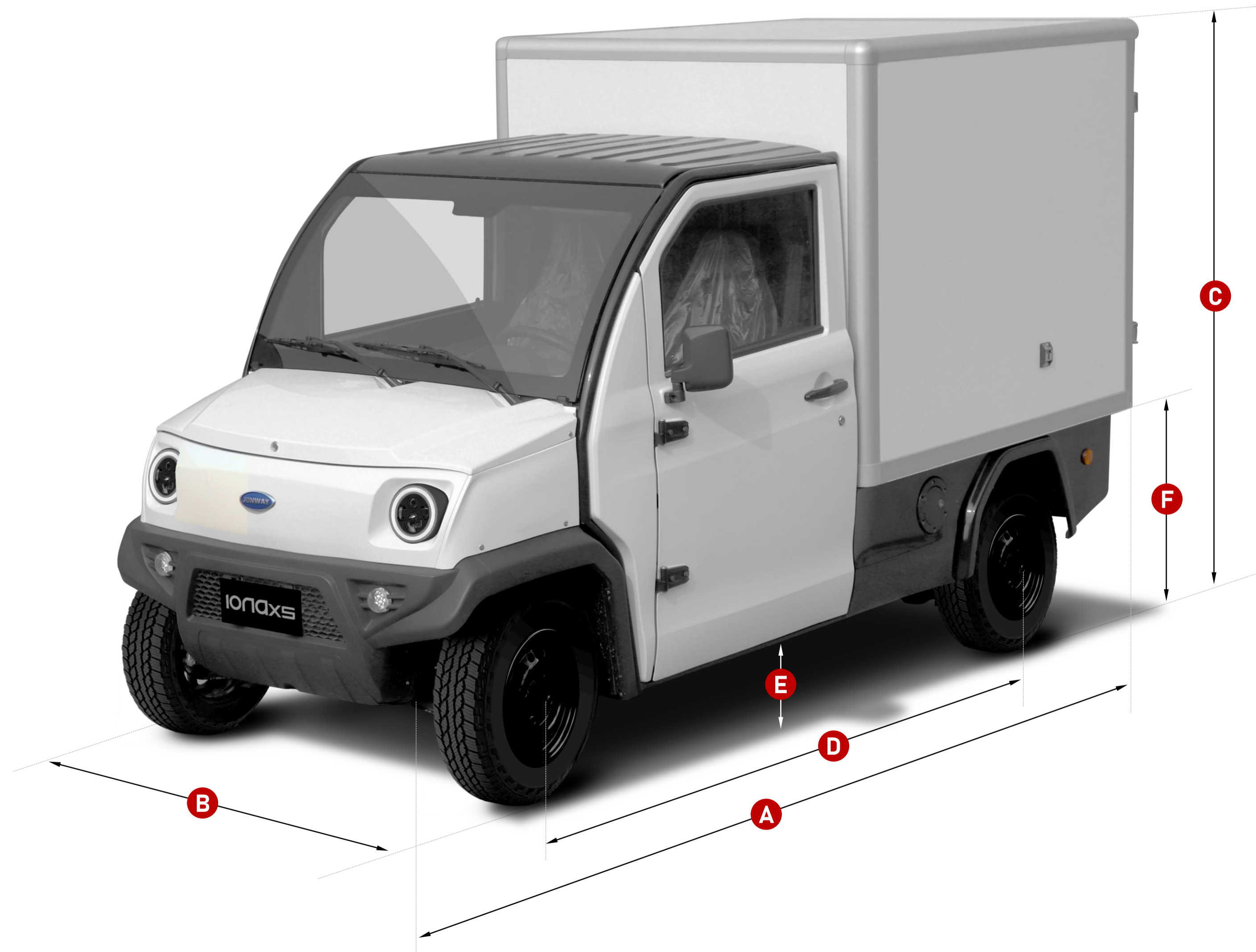
DIMENSIONS

Cargo Box Type

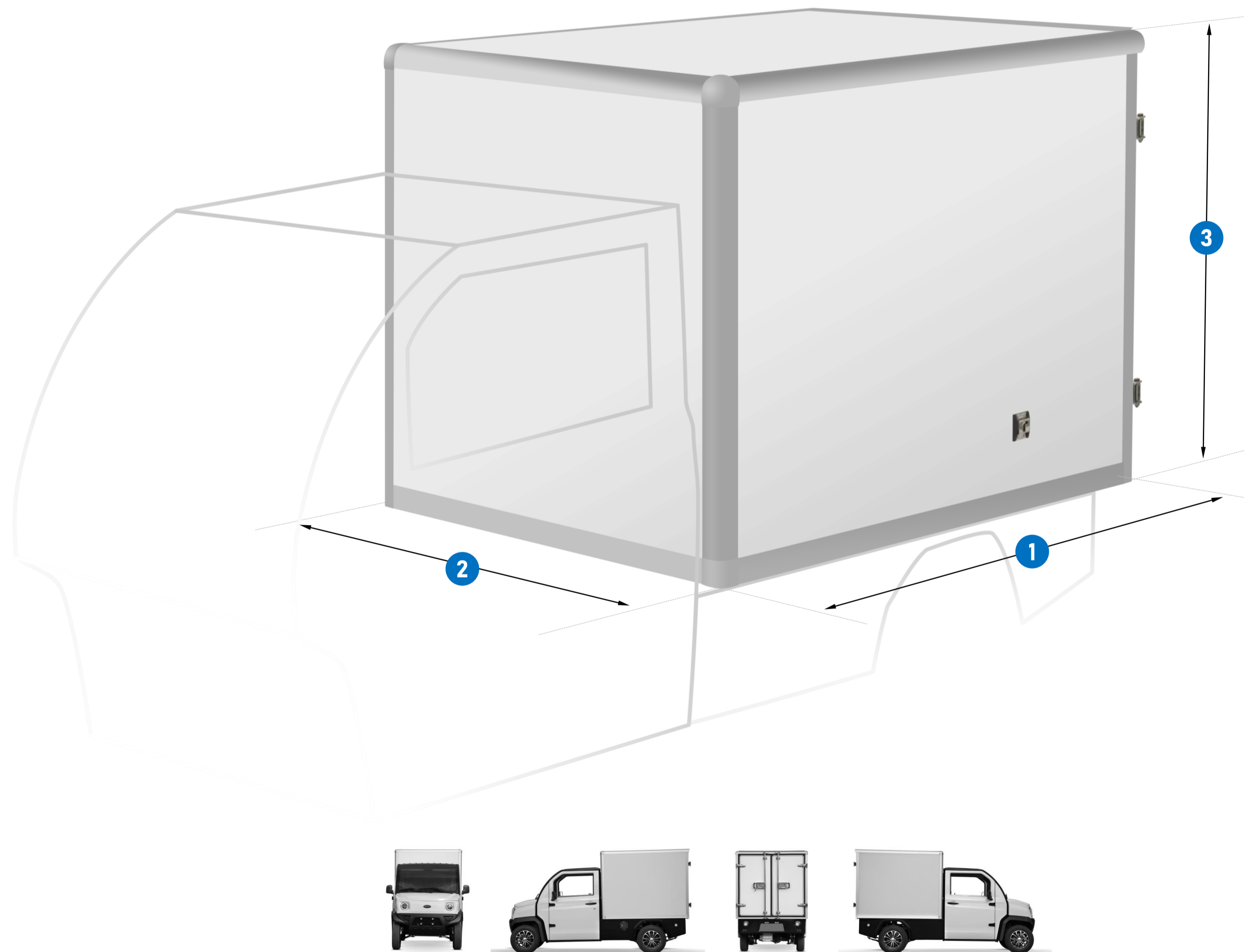
IONAX5

IONAX5 BODY DIMENSIONS

| | |
|---------------------------|---------|
| A Length | 3700 mm |
| B Width | 1440 mm |
| Width (incl. Mirror) | 1735 mm |
| C Height | 2100 mm |
| D Wheelbase | 2495 mm |
| E Ground Clearance | 160 mm |
| F Cargo Bed Height | 700 mm |



Cargo Box



CARGO BOX DIMENSIONS

- ① Length Outside 1710 mm
Length Inside 1635 mm
- ② Width Outside 1450 mm
Width Inside 1420 mm
- ③ Height Outside 1360 mm
Height Inside 1290 mm

| | |
|-------------------------|----------------|
| Rear door frame (W × H) | 1315 × 1245 mm |
| Rear door left (W × H) | 657 × 1235 mm |
| Rear door right (W × H) | 657 × 1235 mm |

DIMENSIONS

Refrigerated Box Type

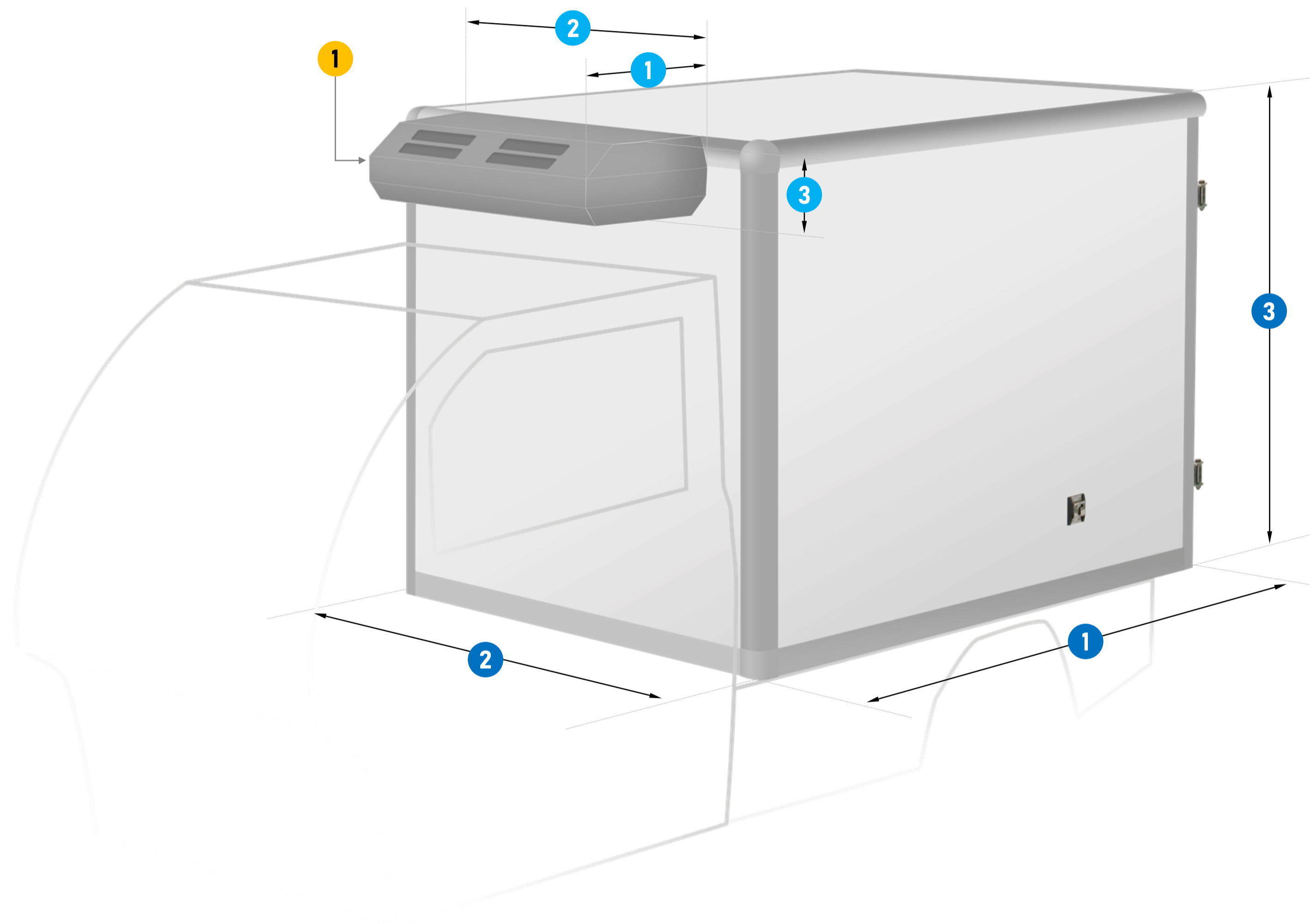
IONAXS

IONAXs BODY DIMENSIONS

| | | |
|----------|----------------------|---------|
| A | Length | 3700 mm |
| B | Width | 1440 mm |
| | Width (incl. Mirror) | 1735 mm |
| C | Height | 2100 mm |
| D | Wheelbase | 2495 mm |
| E | Ground Clearance | 160 mm |
| F | Cargo Bed Height | 700 mm |



Refrigerated Box



CARGO BOX DIMENSIONS

| | | |
|----------|----------------|----------------|
| 1 | Length Outside | 1710 (2260) mm |
| | Length Inside | 1625 mm |
| 2 | Width Outside | 1450 mm |
| | Width Inside | 1365 mm |
| 3 | Height Outside | 1360 mm |
| | Height Inside | 1275 mm |

CHILLER UNIT DIMENSIONS

| | | |
|----------|--------|---------|
| 1 | Length | 550 mm |
| 2 | Width | 1080 mm |
| 3 | Height | 240 mm |

| | | |
|----------|------------------------|--------------|
| 1 | Compressor rated power | 700 W (72 V) |
| | Service temperature | -18°C ~+10°C |

DIMENSIONS

Pickup Type Steel Tray

IONaxS

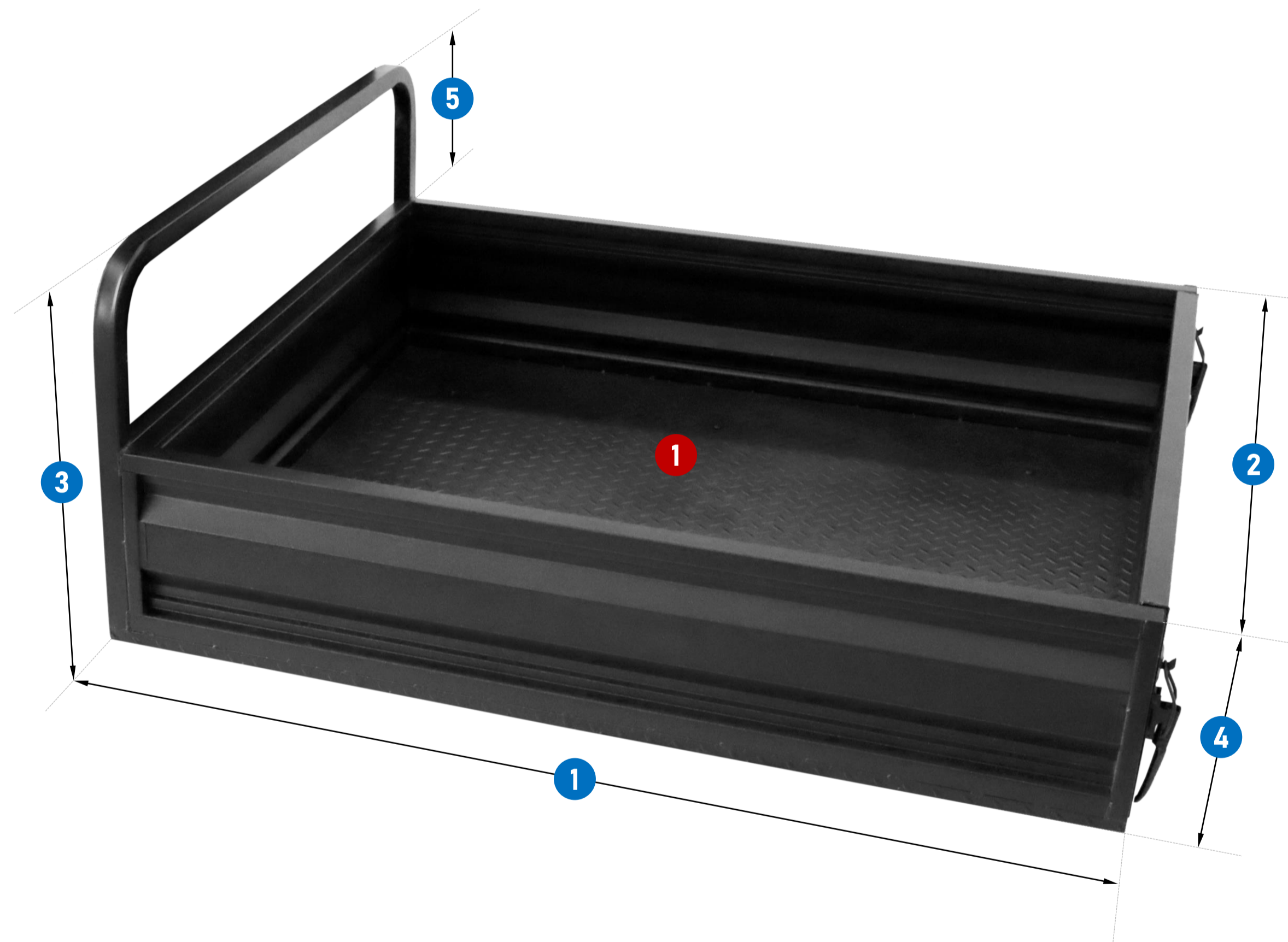
Effortlessly fits two Euro pallets

IONaxS BODY DIMENSIONS

| | | |
|----------|----------------------|---------|
| A | Length | 3700 mm |
| B | Width | 1440 mm |
| | Width (incl. Mirror) | 1735 mm |
| C | Height | 1750 mm |
| D | Wheelbase | 2495 mm |
| E | Ground Clearance | 160 mm |
| F | Cargo Bed Height | 700 mm |



Steel Tray



PICKUP TRAY DIMENSIONS

| | |
|---------------------------|--------------------|
| 1 Length Outside | 1685 mm |
| Length Inside | 1580 mm |
| 2 Width Outside | 1515 mm |
| Width Inside | 1367 mm |
| 3 Height Total | 660 mm |
| 4 Height | 330 mm |
| 5 Height Headboard | 330 mm |
| 1 Payload Area | 2.2 m ² |



DIMENSIONS

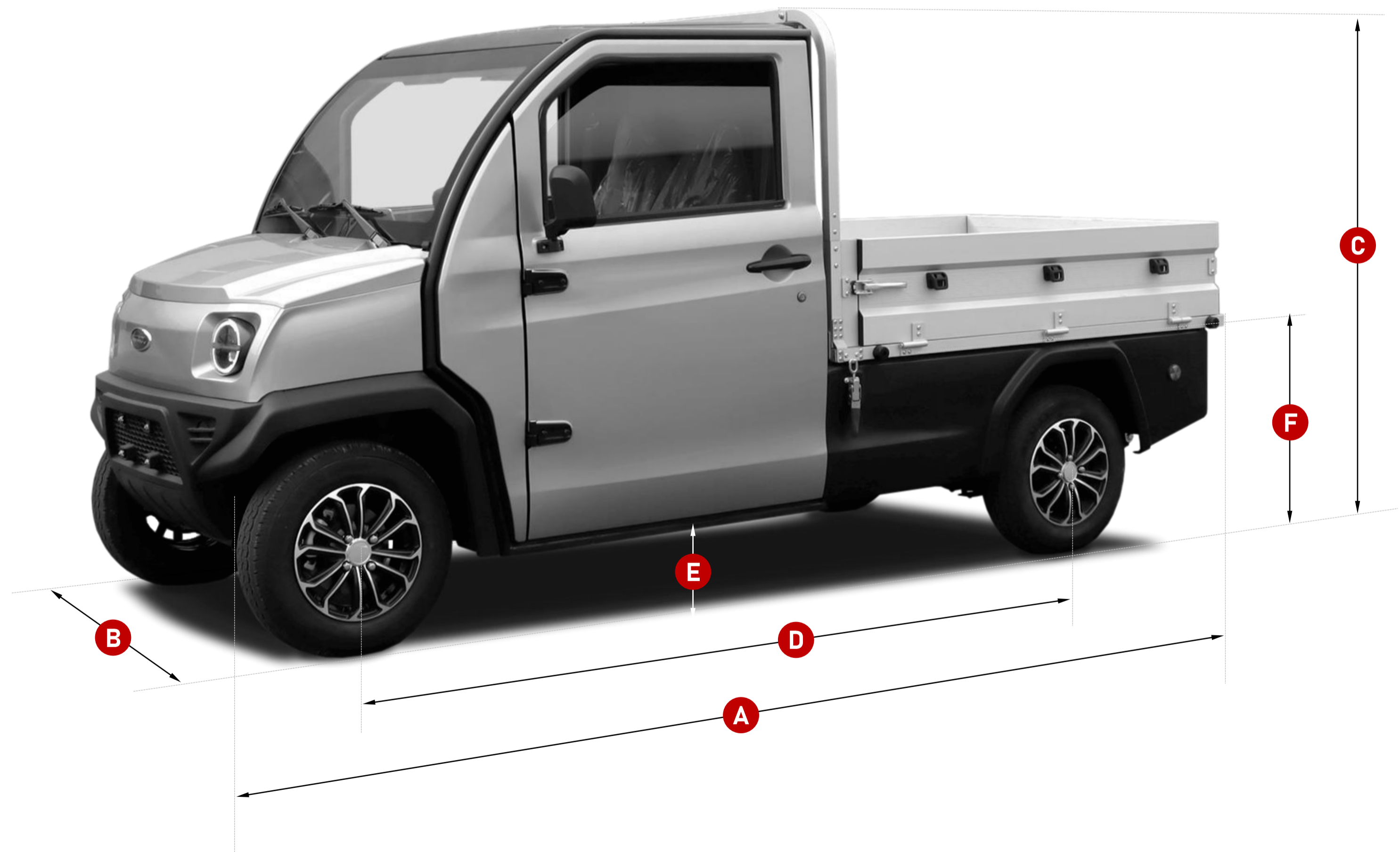
Pickup Type Alloy Tray

IONAXS

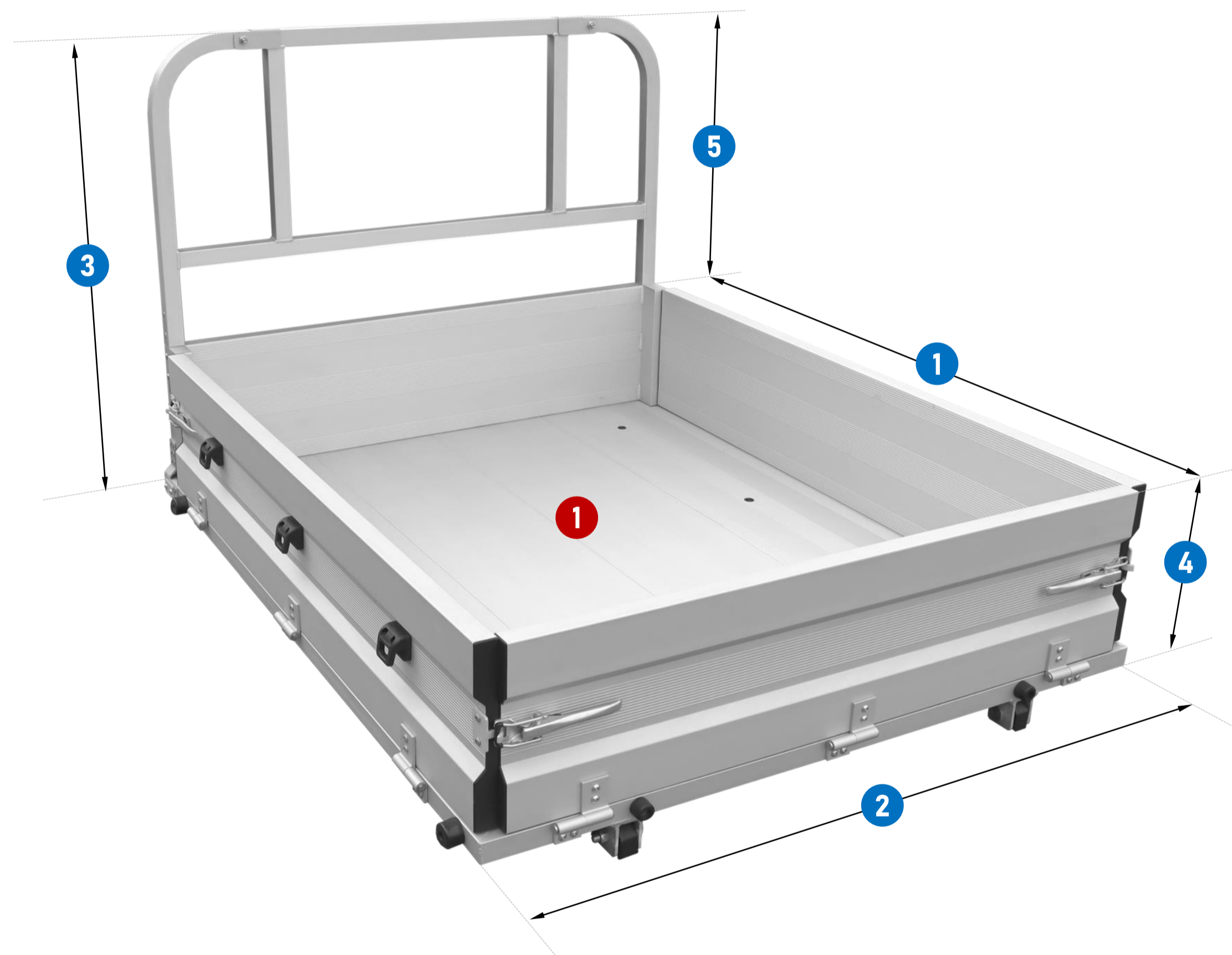
Effortlessly fits two Euro pallets

IONAXs BODY DIMENSIONS

| | | |
|----------|----------------------|---------|
| A | Length | 3700 mm |
| B | Width | 1440 mm |
| | Width (incl. Mirror) | 1735 mm |
| C | Height | 1800 mm |
| D | Wheelbase | 2495 mm |
| E | Ground Clearance | 160 mm |
| F | Cargo Bed Height | 700 mm |



Alloy Tray



PICKUP TRAY DIMENSIONS

| | |
|--------------------|--------------------|
| ① Length Outside | 1700 mm |
| Length Inside | 1660 mm |
| ② Width Outside | 1375 mm |
| Width Inside | 1335 mm |
| ③ Height Total | 1100 mm |
| ④ Height | 325 mm |
| ⑤ Height Headboard | 775 mm |
| ① Payload Area | 2.2 m ² |

DIMENSIONS

Tipper Type Alloy Tray

IONaxS

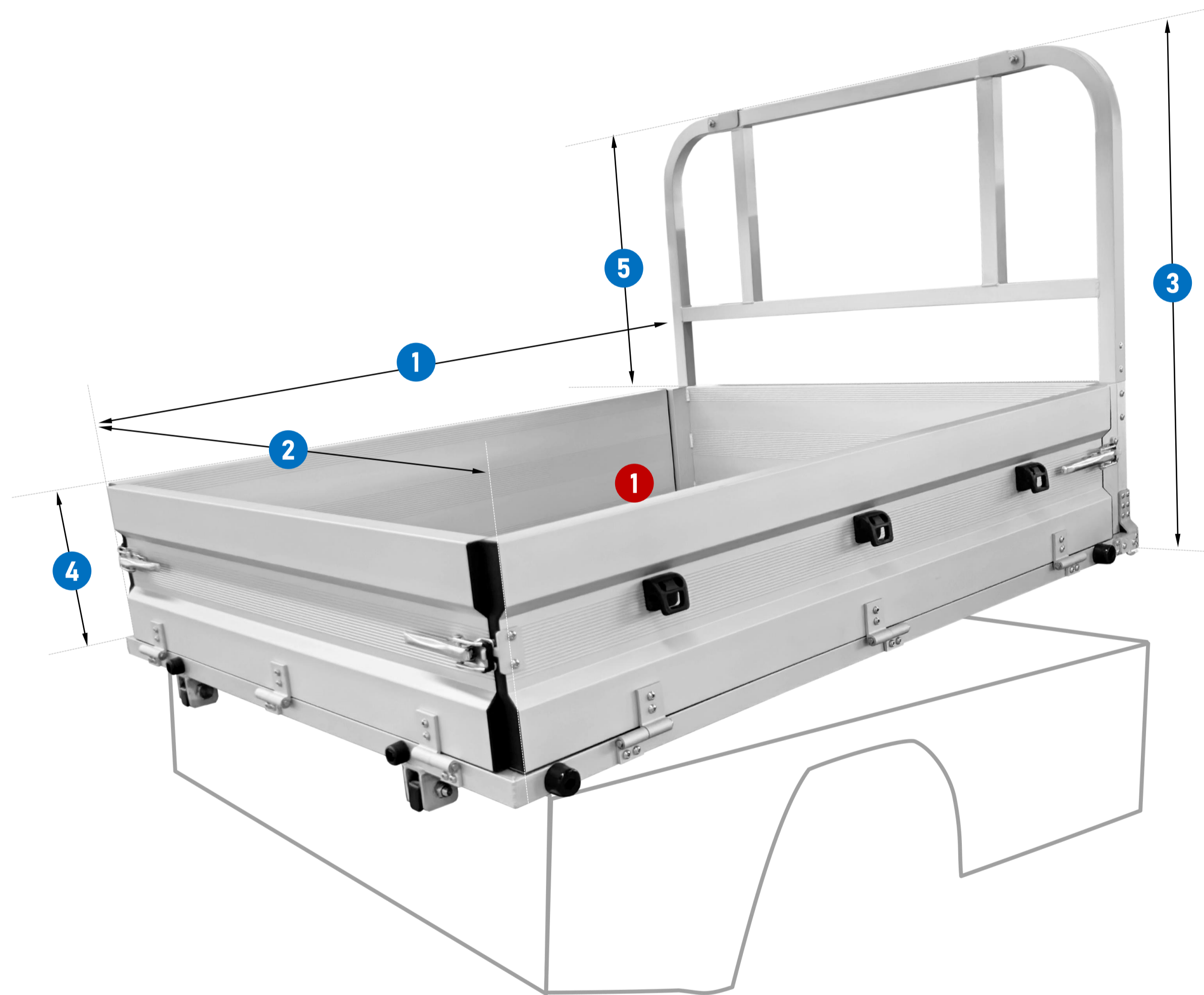
Effortlessly fits two Euro pallets

IONaxS BODY DIMENSIONS

| | | |
|----------|----------------------|---------|
| A | Length | 3700 mm |
| B | Width | 1440 mm |
| | Width (incl. Mirror) | 1735 mm |
| C | Height | 1800 mm |
| D | Wheelbase | 2495 mm |
| E | Ground Clearance | 160 mm |
| F | Cargo Bed Height | 700 mm |



Alloy Tray



PICKUP TRAY DIMENSIONS

| | |
|--------------------|--------------------|
| ① Length Outside | 1700 mm |
| Length Inside | 1660 mm |
| ② Width Outside | 1375 mm |
| Width Inside | 1335 mm |
| ③ Height Total | 1100 mm |
| ④ Height | 325 mm |
| ⑤ Height Headboard | 775 mm |
| ① Payload Area | 2.2 m ² |

Max Height Tray Raised 2630 mm

Max Tipping Angle 45°

Tray Lifting time (empty) 15 sec

DIMENSIONS

Flatbed Type

IONAXS

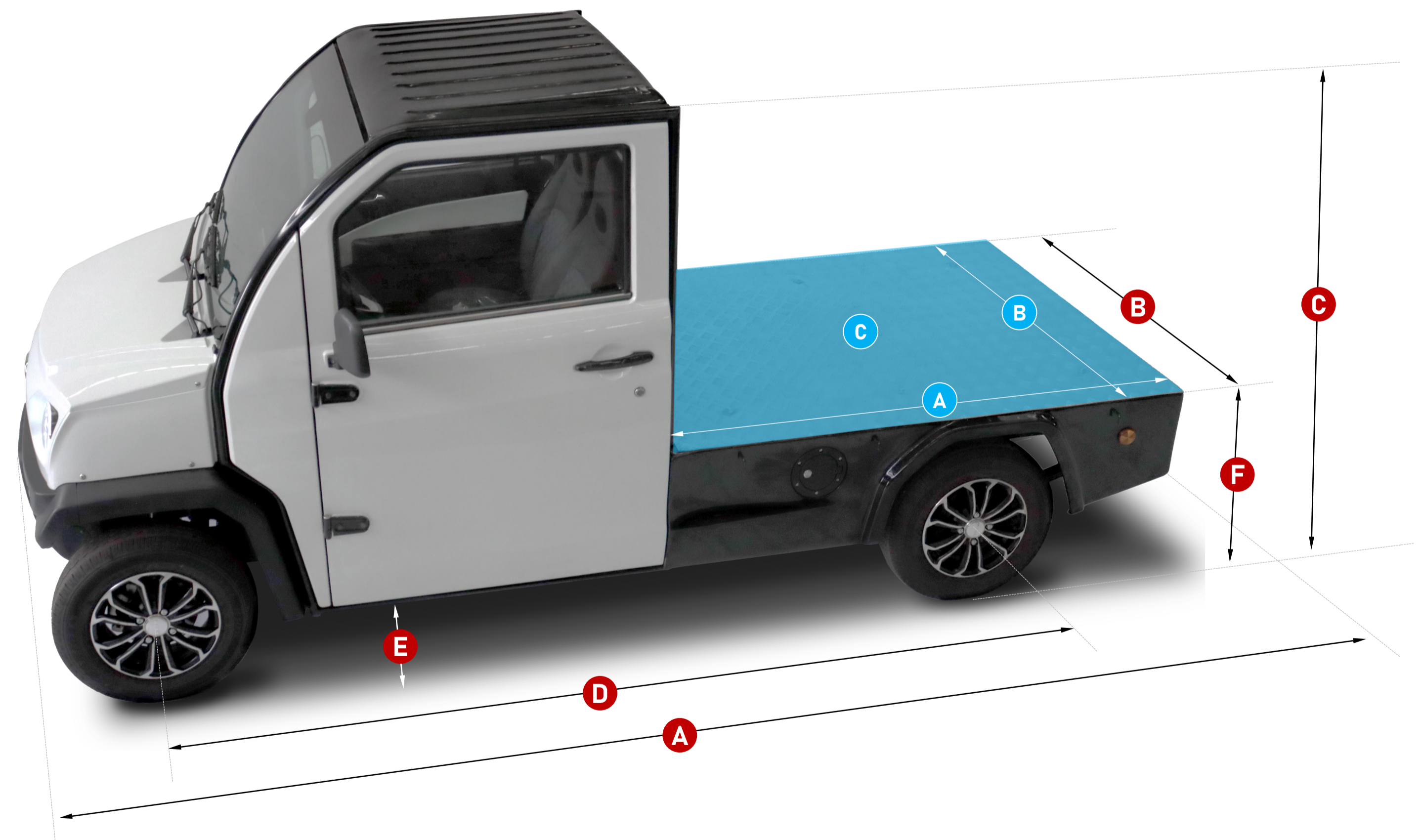
Engineered for variety of custom cargo modules

IONAXS BODY DIMENSIONS

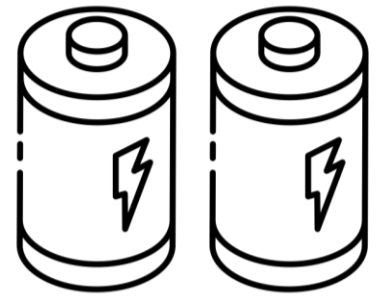
| | |
|---------------------------|---------|
| A Length | 3600 mm |
| B Width | 1440 mm |
| Width (incl. Mirror) | 1735 mm |
| C Height | 1750 mm |
| D Wheelbase | 2495 mm |
| E Ground Clearance | 160 mm |
| F Cargo Bed Height | 700 mm |

LOADING AREA DIMENSIONS

| | |
|-----------------------|--------------------|
| A Length | 1650 mm |
| B Width | 1371 mm |
| C Payload Area | 2.3 m ² |

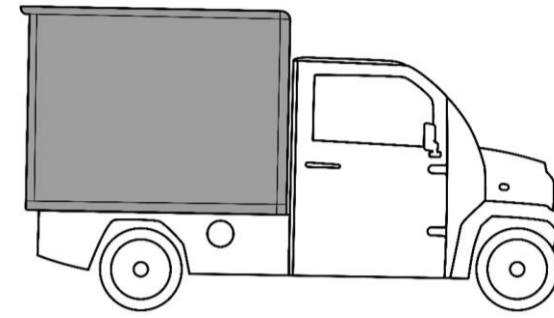


WARRANTY



BATTERY

4 years or 200,000 km
(whichever comes first)



VEHICLE

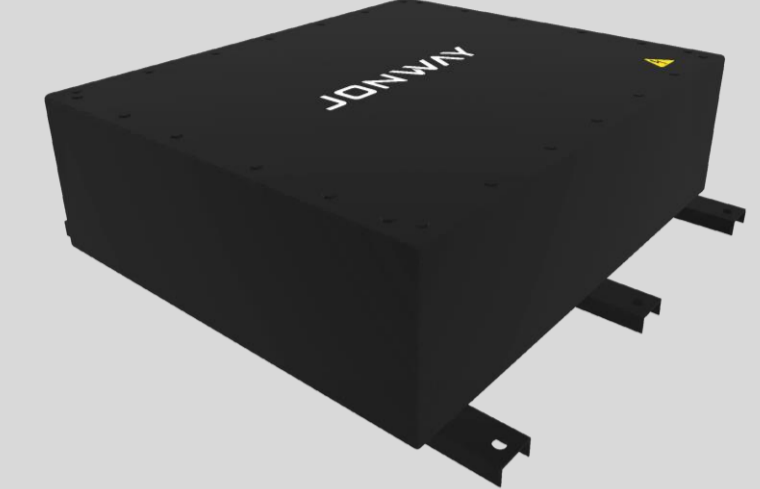
3 years or 50,000 km
(whichever comes first)

BATTERY



SINGLE PACK

Capacity: 11.52 kWh
(150Ah / 76.8V)



DOUBLE PACK

Capacity : 23.04 kWh
(300Ah / 76.8V)

For current warranty conditions and details consult with your local dealer and/or distributor.

CERTIFICATES

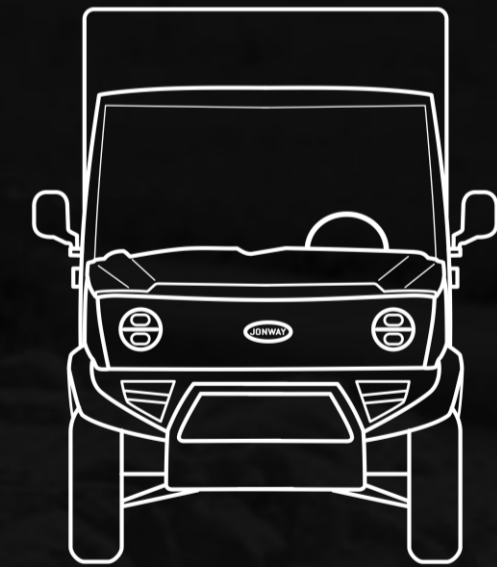


ISO14001-2015 / ISO9001-2015 / ISO9001-2015 / GB/T19001-2016 / EUWVTA

AVAILABLE IN...



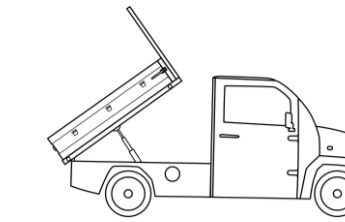
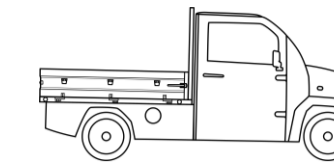
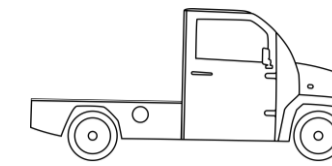
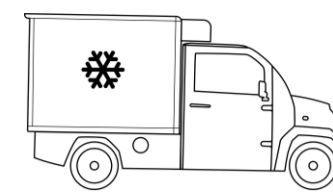
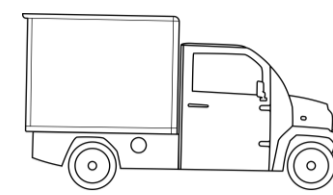
RIGHT-HAND DRIVE



LEFT-HAND DRIVE

SPECIFICATIONS

IONIX5



| Cargo Box | | Refrigerated Box | | Flatbed | | Pickup | | Tipper | |
|-----------|-----------|------------------|-----------|-----------|-----------|-----------|-----------|-----------|-----------|
| 23.04 kWh | 11.52 kWh | 23.04 kWh | 11.52 kWh | 23.04 kWh | 11.52 kWh | 23.04 kWh | 11.52 kWh | 23.04 kWh | 11.52 kWh |

Battery pack options ²

| MAIN SPECIFICATIONS | | | | | | | | | | |
|--|---|-------------|-------------------------|---|-------------------------|-------------|-------------------------|-------------|-------------------------|-------------|
| L7e-CU Category | ● | | ● | | ● | | ● | | ● | |
| Dimensions L × W × H (mm) | 3700 × 1440 × 2100 | | 3700 × 1440 × 2100 | | 3600 × 1440 × 1750 | | 3700 × 1440 × 1800 | | 3700 × 1440 × 1800 | |
| Width incl. mirror | 1,735 mm | | 1,735 mm | | 1,735 mm | | 1,735 mm | | 1,735 mm | |
| Minimum turning radius | 5,500 mm | | 5,500 mm | | 5,500 mm | | 5,500 mm | | 5,500 mm | |
| Driving range per WVTA * | 260 km | 130 km | 240 km | - | 260 km | 130 km | 260 km | 130 km | 260 km | 130 km |
| Real-world range | 200+ km | 100+ km | 190+ km | - | 200+ km | 100+ km | 200+ km | 100+ km | 200+ km | 100+ km |
| Track (Front/Rear) | 1145 / 1195 mm | | 1145 / 1195 mm | | 1145 / 1195 mm | | 1145 / 1195 mm | | 1145 / 1195 mm | |
| Ramp angles (Front/Rear) | 48° / 30° | | 48° / 30° | | 48° / 30° | | 48° / 30° | | 48° / 30° | |
| Min. ground clearance | 160 mm | | 160 mm | | 160 mm | | 160 mm | | 160 mm | |
| Gross Vehicle Weight | 1,450 kg | | 1,450 kg | | 1,450 kg | | 1,450 kg | | 1,450 kg | |
| Curb weight | 845 kg | 760 kg | 930 kg | - | 850 kg | 760 kg | 850 kg | 770 kg | 850 kg | 770 kg |
| Top speed | 75 km/h | | 75 km/h | | 75 km/h | | 75 km/h | | 75 km/h | |
| Gradeability | 25% (14°) | 20% (11.3°) | 25% (14°) | - | 25% (14°) | 20% (11.3°) | 25% (14°) | 20% (11.3°) | 25% (14°) | 20% (11.3°) |
| Wheels | Alloy | Steel | Alloy | - | Alloy | Steel | Alloy | Steel | Alloy | Steel |
| AC slow charging | ● | | ● | | ● | | ● | | ● | |
| Charger connector type | EU Type 2 | | EU Type 2 | | EU Type 2 | | EU Type 2 | | EU Type 2 | |
| On-board charger (OBC) | 3.3 kW | 2.2 kW | 3.3 kW | - | 3.3 kW | 2.2 kW | 3.3 kW | 2.2 kW | 3.3 kW | 2.2 kW |
| Charging time in hours (20-80%) ³ | ≈5 hrs | ≈4 hrs | ≈5 hrs | - | ≈5 hrs | ≈4 hrs | ≈5 hrs | ≈4 hrs | ≈5 hrs | ≈4 hrs |
| Charging time in hours (0-100%) ³ | ≈9 hrs | ≈7 hrs | ≈9 hrs | - | ≈9 hrs | ≈7 hrs | ≈9 hrs | ≈7 hrs | ≈9 hrs | ≈7 hrs |
| Permanent Magnet Synchronous Motor | ● | | ● | | ● | | ● | | ● | |
| Peak power | 20 kW (27 hp) | | 20 kW (27 hp) | | 20 kW (27 hp) | | 20 kW (27 hp) | | 20 kW (27 hp) | |
| Peak torque 112 N.m | ● | | ● | | ● | | ● | | ● | |
| Rear-wheel drive | ● | | ● | | ● | | ● | | ● | |
| Regenerative braking system | ● | | ● | | ● | | ● | | ● | |
| Suspension Front / Rear | McPherson / Leaf Spring | | McPherson / Leaf Spring | | McPherson / Leaf Spring | | McPherson / Leaf Spring | | McPherson / Leaf Spring | |
| Brakes Front/Rear | Disc / Drum | | Disc / Drum | | Disc / Drum | | Disc / Drum | | Disc / Drum | |
| Tire 155R13C (LT) | ● | | ● | | ● | | ● | | ● | |
| Hand Brake (Foot Brake on RHD variants) | ● | | ● | | ● | | ● | | ● | |
| Wheelbase 2500 mm | ● | | ● | | ● | | ● | | ● | |
| Battery warranty | 4 years or 200,000 km (whichever comes first) | | | | | | | | | |
| Vehicle warranty | 3 years or 50,000 km (whichever comes first) | | | | | | | | | |

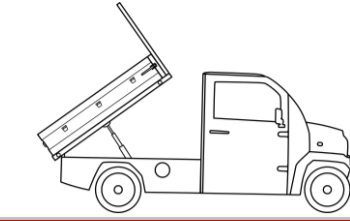
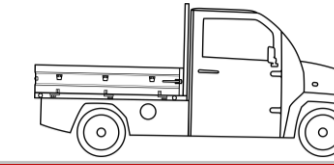
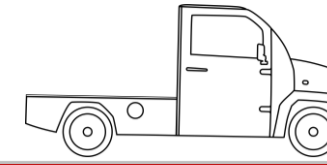
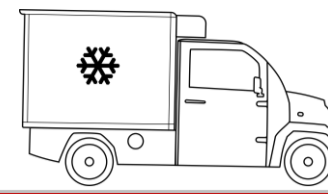
| | Cargo Box | | Refrigerated Box | | Flatbed | | Pickup | | Tipper | |
|--|--------------------|-----------|---------------------------|-----------|--------------------|-----------|--------------------|-----------|--------------------|-----------|
| | 23.04 kWh | 11.52 kWh | 23.04 kWh | 11.52 kWh | 23.04 kWh | 11.52 kWh | 23.04 kWh | 11.52 kWh | 23.04 kWh | 11.52 kWh |
| Battery pack options ² | | | | | | | | | | |
| CARGO PLATFORM | | | | | | | | | | |
| Cargo volume & Payload area | 3 m ³ | | 2.8 m ³ | | 2.3 m ² | | 2.2 m ² | | 2.2 m ² | |
| Cargo payload ** | 500 kg | 590 kg | 380 kg | - | 500 kg | 590 kg | 500 kg | 580 kg | 500 kg | 580 kg |
| Box external (L × W × H) in mm | 1710 × 1450 × 1360 | | 1710 (2260) × 1450 × 1360 | | - | | - | | - | |
| Box internal (L × W × H) in mm | 1635 × 1420 × 1290 | | 1625 × 1365 × 1275 | | - | | - | | - | |
| Rear door frame (W × H) in mm | 1315 × 1245 | | 1370 × 1280 | | - | | - | | - | |
| Rear door left (W × H) in mm | 657 × 1235 | | 630 × 1150 | | - | | - | | - | |
| Rear door right (W × H) in mm | 657 × 1235 | | 630 × 1150 | | - | | - | | - | |
| Panel thickness in mm | - | | 85 | | - | | - | | - | |
| Compressor unit (L × W × H) in mm | - | | 1080 × 550 × 240 | | - | | - | | - | |
| Cargo bed height in mm | 700 | | 700 | | 700 | | 700 | | 700 | |
| Load bed (L × W) in mm | - | | - | | 1650 × 1371 | | 1700 × 1375 | | 1700 × 1375 | |
| Bucket height in mm | - | | - | | - | | 325 | - | 325 | - |
| Bucket thickness in mm | - | | - | | - | | 40 | - | 40 | - |
| Headboard height in mm | - | | - | | - | | 1030 | - | 1030 | - |
| Compressor rated power | - | - | 700 W (72 V) | | - | - | - | - | - | - |
| Service temperature | - | - | -18°C ~+10°C | | - | - | - | - | - | - |

| SAFETY FEATURES | | | | | | | | | | |
|-----------------------------------|--|---|--|---|--|---|--|---|--|---|
| Anti-lock Braking System ABS | | • | | • | | • | | • | | • |
| Electric Power Steering EPS | | • | | • | | • | | • | | • |
| Driver Seat Belt Alarm | | • | | • | | • | | • | | • |
| Rear View Camera | | • | | • | | • | | • | | • |
| Door Ajar Alarm | | • | | • | | • | | • | | • |
| Reversing Warning Alarm | | • | | • | | • | | • | | • |
| Acoustic Vehicle Alerting Systems | | • | | • | | • | | • | | • |
| 3-Point Safety Belt (retractable) | | • | | • | | • | | • | | • |

| LIGHTING SYSTEM | | | | | | | | | | |
|-----------------------------|--|---|--|---|--|---|--|---|--|---|
| Front combination light LED | | • | | • | | • | | • | | • |
| Combination Tail light LED | | • | | • | | • | | • | | • |
| Daytime running light LED | | • | | • | | • | | • | | • |
| Interior lighting LED | | • | | • | | • | | • | | • |

SPECIFICATIONS

IONIX5



Battery pack options ²

| Cargo Box | | Refrigerated Box | | Flatbed | | Pickup | | Tipper | |
|-----------|-----------|------------------|-----------|-----------|-----------|-----------|-----------|-----------|-----------|
| 23.04 kWh | 11.52 kWh | 23.04 kWh | 11.52 kWh | 23.04 kWh | 11.52 kWh | 23.04 kWh | 11.52 kWh | 23.04 kWh | 11.52 kWh |

| ACCESSORIES & OTHERS | | | | | | | | | |
|---|---|---|---|---|---|---|---|---|---|
| Intermittent windshield wipers | • | • | • | • | • | • | • | • | • |
| Imitation leather seat cover | • | • | • | • | • | • | • | • | • |
| 4-Way adjustable Seats (manual) | • | • | • | • | • | • | • | • | • |
| Heating | • | • | • | • | • | • | • | • | • |
| Central door locking system | • | • | • | • | • | • | • | • | • |
| OBD connection | • | • | • | • | • | • | • | • | • |
| 9" LCD Infotainment display | • | • | • | • | • | • | • | • | • |
| Loudspeakers x 2 | • | • | • | • | • | • | • | • | • |
| Bluetooth connectivity | • | • | • | • | • | • | • | • | • |
| USB port x 1 | • | • | • | • | • | • | • | • | • |
| Key FOB / Keyless Entry | • | • | • | • | • | • | • | • | • |
| Push-Start button | • | • | • | • | • | • | • | • | • |
| Power windows | • | • | • | • | • | • | • | • | • |
| Door storage box | • | • | • | • | • | • | • | • | • |
| Sun visor (flip) x 2 | • | • | • | • | • | • | • | • | • |
| Radio, MP3, MP4 | • | • | • | • | • | • | • | • | • |
| Portable EU Type2 charger (220V) | • | • | • | • | • | • | • | • | • |
| Foldable warning triangle & safety vest | • | • | • | • | • | • | • | • | • |

| OPTIONS | | | | | | | | | | |
|-------------------------------------|---|---|---|---|---|---|---|---|---|---|
| Air condition | ○ | ○ | ○ | ○ | ○ | ○ | ○ | ○ | ○ | |
| Towing Hook | ○ | - | ○ | ○ | ○ | ○ | ○ | ○ | ○ | |
| Bull bar (Front and Rear) | ○ | ○ | ○ | ○ | ○ | ○ | ○ | ○ | ○ | |
| Tools kit | ○ | ○ | ○ | ○ | ○ | ○ | ○ | ○ | ○ | |
| On-board charger (OBC) 3.3 kW | - | ○ | ○ | - | - | ○ | - | ○ | - | ○ |
| On-board charger (OBC) 6.6 kW | ○ | ○ | ○ | ○ | ○ | ○ | ○ | ○ | ○ | ○ |
| Wall Charger 7.4 kW | ○ | ○ | ○ | ○ | ○ | ○ | ○ | ○ | ○ | ○ |
| RHD variant | ○ | ○ | ○ | ○ | ○ | ○ | ○ | ○ | ○ | ○ |
| 4 x Winter tires | ○ | ○ | ○ | ○ | ○ | ○ | ○ | ○ | ○ | ○ |
| Alloy Wheel | • | ○ | • | ○ | • | ○ | • | ○ | • | ○ |
| Magnet-mounted wired control switch | - | - | - | - | - | - | - | - | ○ | ○ |

The battery pack capacity may/will degrade over time and usage. The actual driving range will vary depending on driving behaviors, charging intervals, driving speed, cargo load weight and weather conditions. The figures shown are for comparability purposes; only compare with other vehicles tested to the same technical procedures and similar vehicle weight class. The charging times are estimates. Charging stations must be Type 2 compatible. The permissible total cargo weight must not exceed. Technical specifications and data are valid at the time of publishing. The product images shown are for illustrative purposes only. Specifications are subject to change without prior notice.

JONWAY



CONTACT US

Company: Jiangsu Yongyuan Electric Technology Co., Ltd

Phone: +86 139 6869 9888

Email: alexwang@jonwayev.com
sheltonwu@jonwayev.com
sophieyu@jonwayev.com
ellawang@jonwayev.com
philzhou@jonwayev.com

www.jonwayev.com

