

SPECIFICATION

QX3202VD

(Advanced Version 24V)



1. Specification

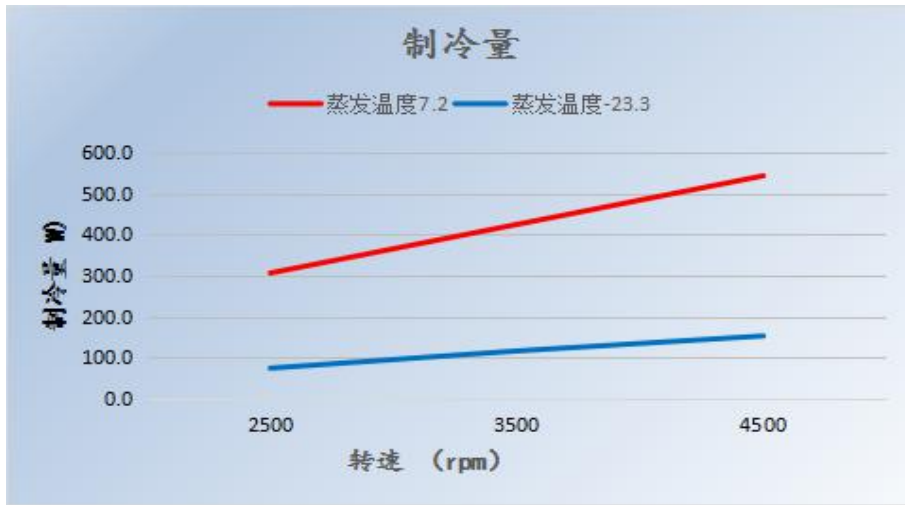
Compressor	Type Displacement (cc/rev) Application	Hermetic & Rotary 3.25 LBP & HBP
Motor	Type Rated Voltage (V) Voltage Range (V) Rated Speed (rpm) Working Current (A) Max Current (A) Winding(20°C) Ω	DC Brushless DC 24 DC 20 ~ 32 2000 ~ 4500 2.1 ~ 8 12 0.7
Refrigerant	Type	R134a
Oil	Type & Amount (ml)	RL-32H, RB68EP & 55
Compression Ratio	≦ 8	
Compressor weight (include oil) Kg		0.69
Compressor Capacity	Speed Range (rpm) Cooling Capacity(W)	2000 ~ 4500 70 ~ 550
Evaporating Temp (°C) Condensing Temp (°C) Max Compressor Temp (°C) Ambient Temp (°C)	-23.3 ~ 7.2 27 ~ 65 120 5 ~ 43	
Noise dB	≤40	
Controller	Driver Board	DB3010-1

2. Other Parameters:

Item		Data
Output	Rated Voltage(V)	24
	Rated Current(A)	8
	Rated Cooling Capacity(W)	300
	Capacity Input(W)	300
	Max Cooling Capacity(W)	550
	Max Compressor Speed(rpm)	4500
Input	Motor	Direct Current
	Voltage Range(V)	20 -32
	Rated Frequency(Hz)	-
	Frequency Factor	-
Operation	Acceleration time(from 0 Hz to Max Hz)	30s
	Speed Accuracy	1%
	Speed Range(rpm)	2000-4500
	Overload Protection	Yes
Others	The Type of Cooling	Natural
	Noise	≦ 40dB
	Vibration	Ultra Low

3. Performance Curve

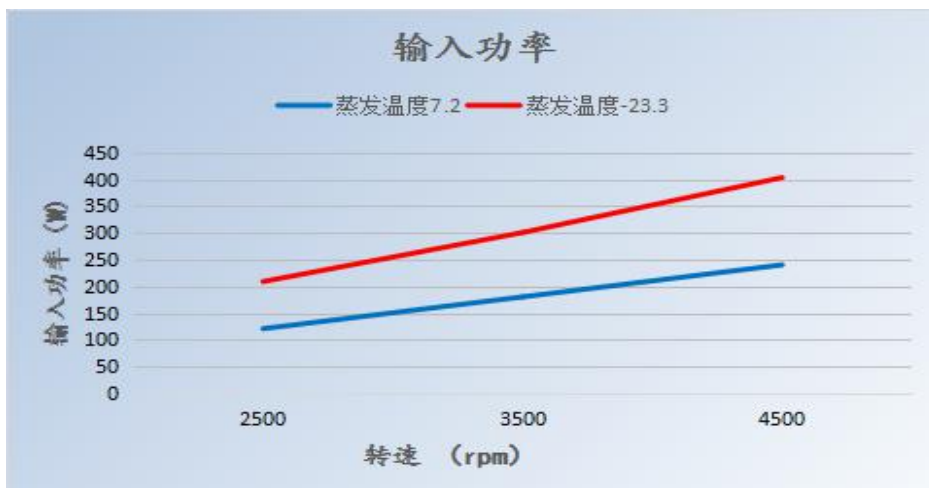
1. Cooling Capacity



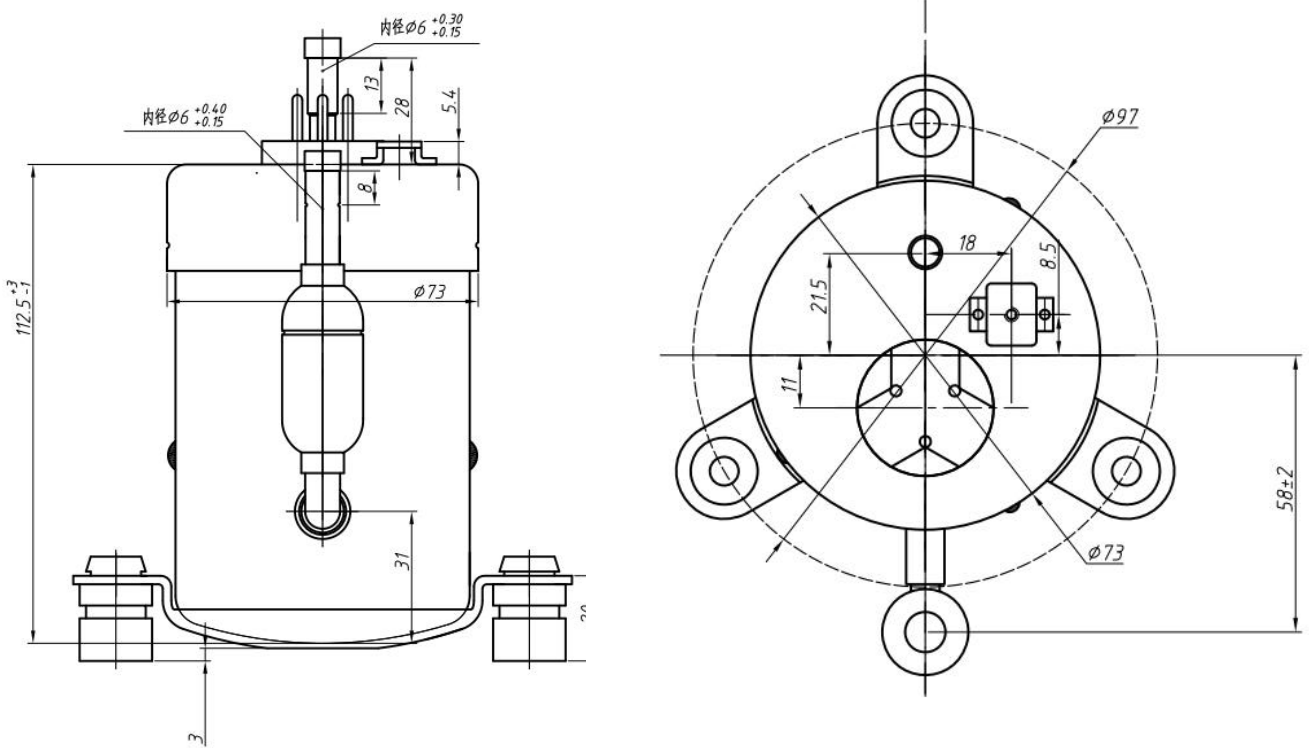
2. Coefficient of Performance



3. Input Power



4. External Drawing:



5. The Diver Board Dimension:

