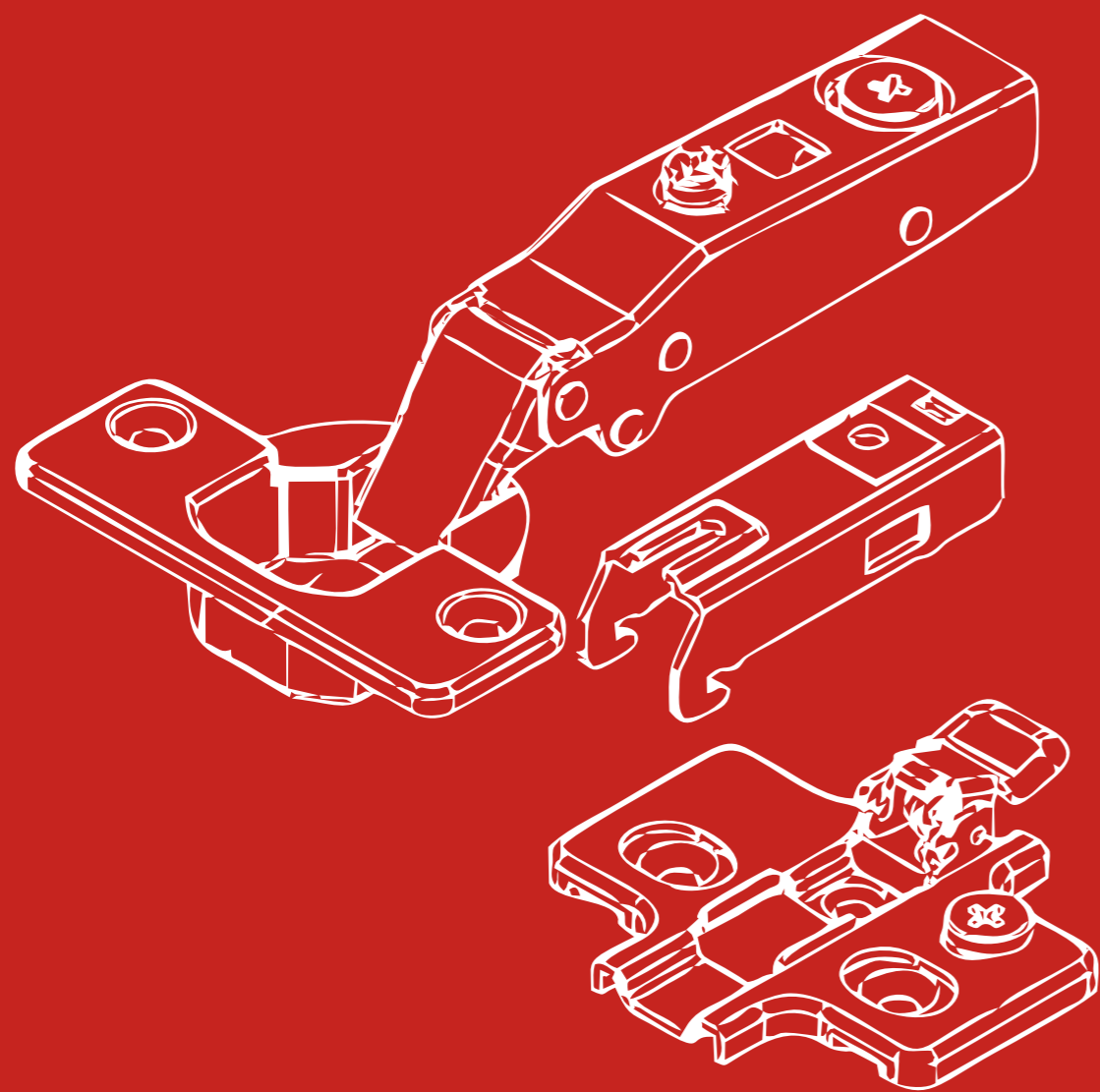


2023 最新产品系列

2023 The latest product series



铰链滑轨反弹器系列
Hinge slide rail rebounder series



关注我们

📍 总部：广州市黄埔大道中翠湖山庄好时光商业中心12号
Head office : No 12, Haoshiguang Business Center, Cuihu Shan Zhuang,
Huangpu Dadao Zhong, Guangzhou, China.

📍 厂址：广东省清远市高新区科技工业园8号大荣工业城
Factory add :Darong Industrial park, No. 8, Science and
Technology Industrial Park, High-tech Zone,
Qingyuan, Guangdong, China

Http://www.consun-cn.com
公司邮箱：consun@consun-cn.com

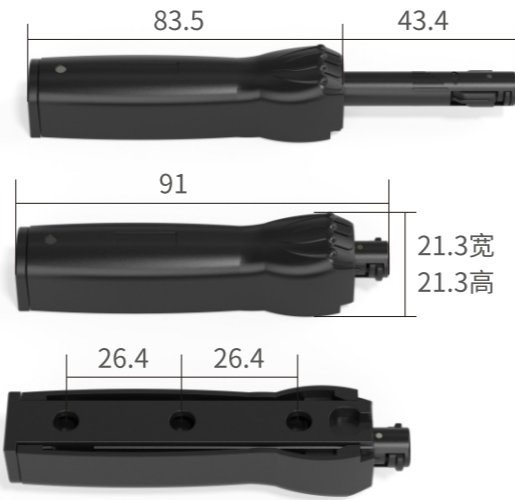
清远市康信五金电器制品有限公司
CONSUN FURNITURE HARDWARE FACTORY

Product details 产品明细



MODEL: **RX05**

Product size 产品尺寸 (mm)



Product installation steps **RX02/03/04/05**

产品安装步骤

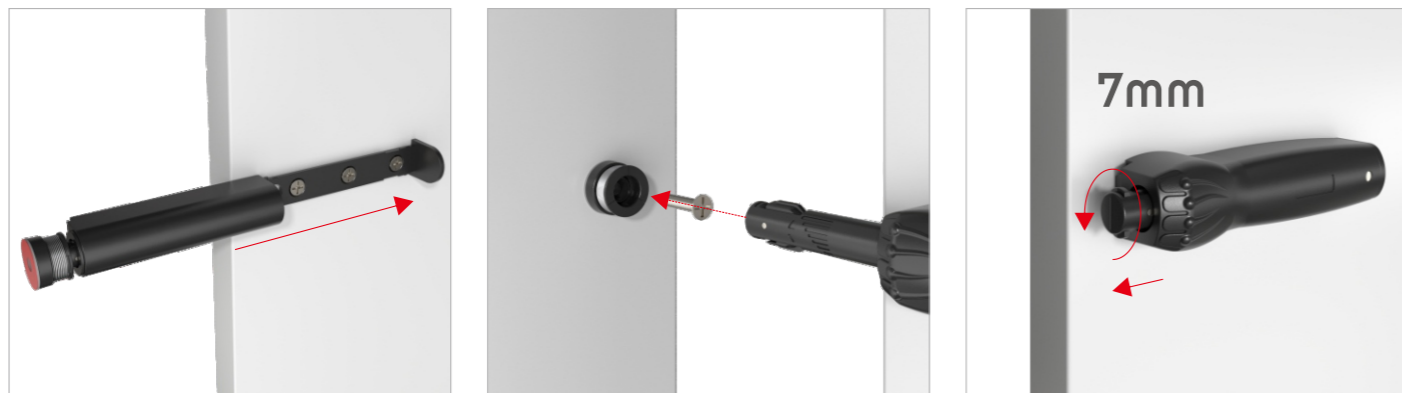


用专用定位器定位并安装螺丝

用专用定位器定位并安装螺丝
注意:大弯铰链开孔安装尺寸为
门板尺寸X代号,
X+32mm、X+85mm

移走定位器, 将主体如图位置所示
插入底座。

型号:X03/X04/X05 如图位置所示
往后插入底座, 听到啪嗒一声就证明
卡到位。



型号:X02 如图位置所示往后插入底座,
听到啪嗒一声就证明卡到位。

锁扣与门板粘贴后, 螺丝拧入锁扣到门板

可进行距离调节

Product details
产品明细



MODEL: **RX04**

Product details
产品明细



MODEL: **RX03**

Product details
产品明细



MODEL: **RX02**

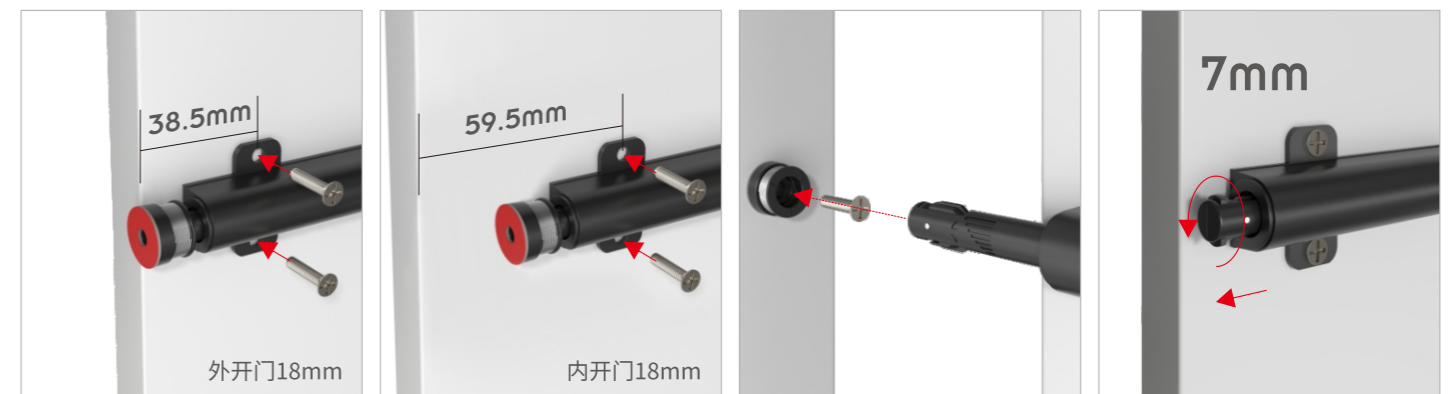
Product details
产品明细



MODEL: **RX01**

Product installation steps **RX01**

产品安装步骤



按尺寸定位并安装螺丝

按尺寸定位并安装螺丝
注意:大弯铰链开孔安装尺寸为
门板尺寸X代号, X+42mm

锁扣与门板粘贴后, 螺丝拧入锁扣
到门板

可进行距离调节



Product size
产品尺寸 (mm)



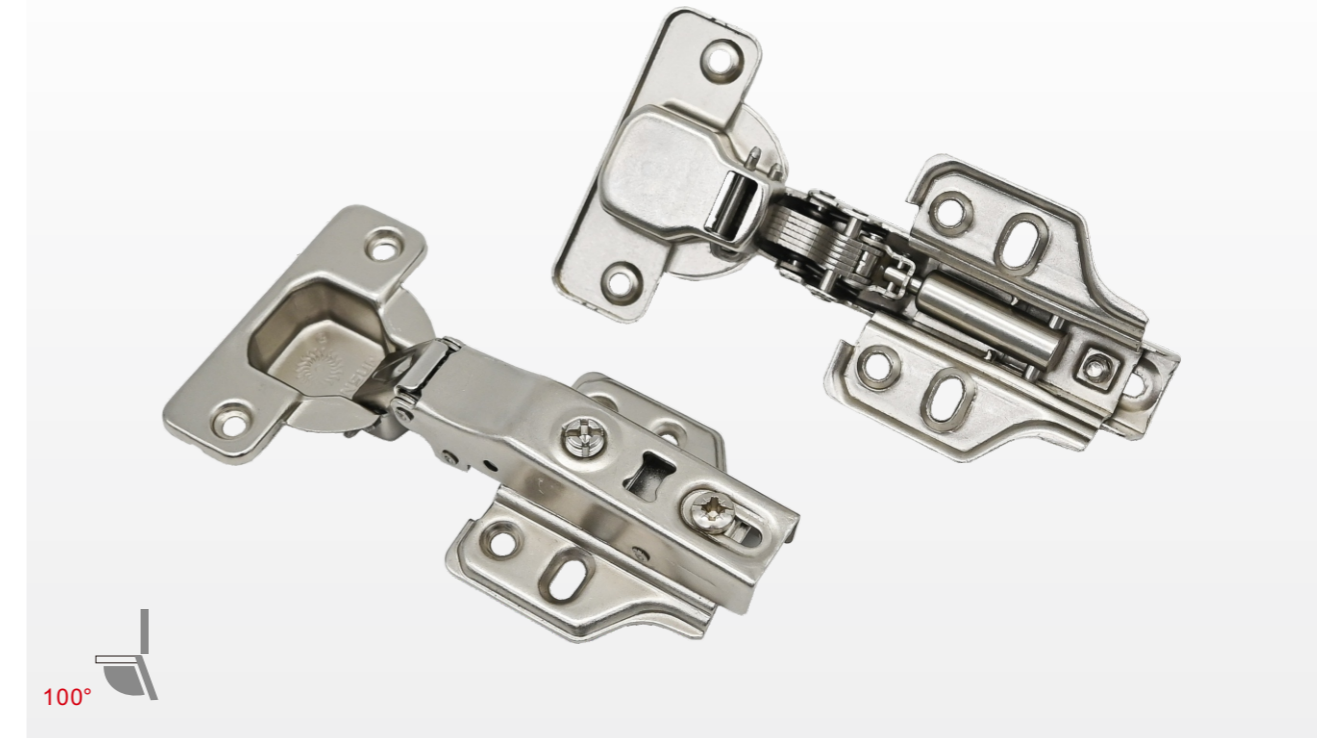
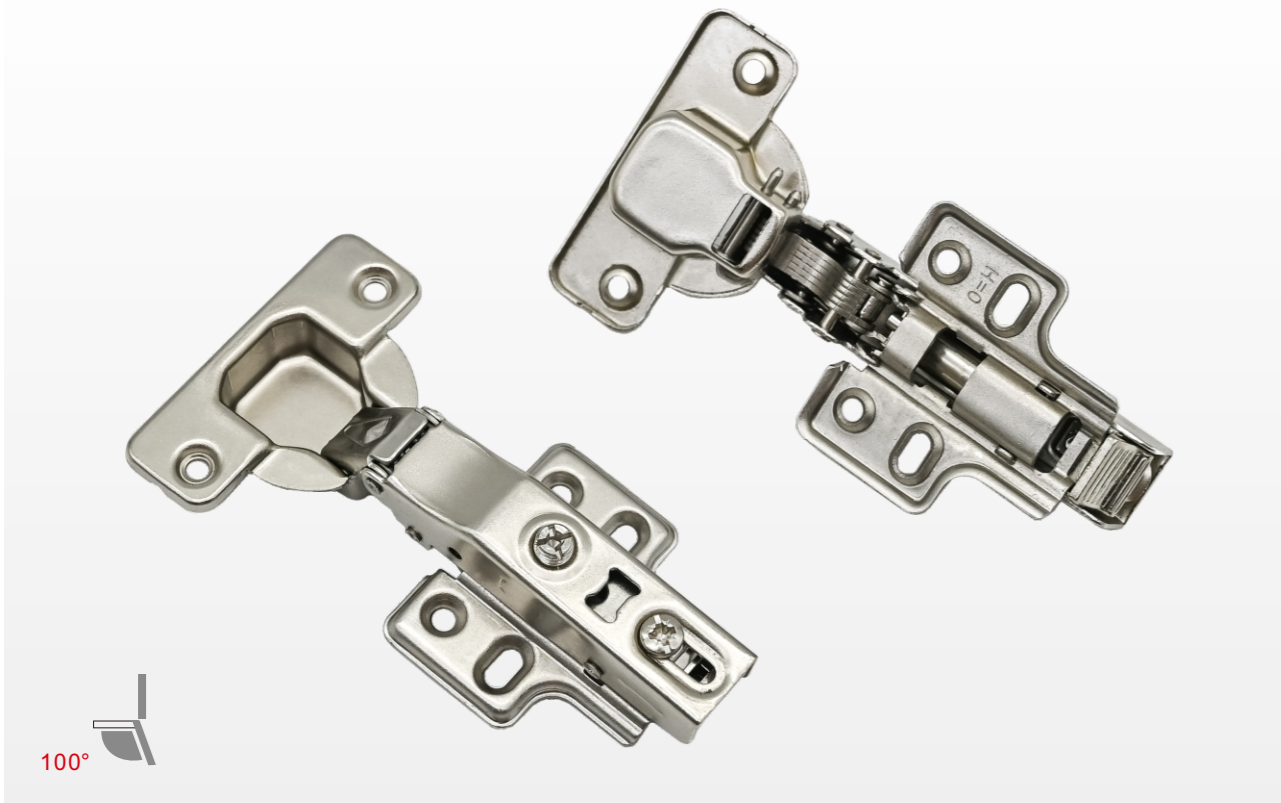
Product size
产品尺寸 (mm)



Product size
产品尺寸 (mm)



Product size
产品尺寸 (mm)



产品信息 / Product information

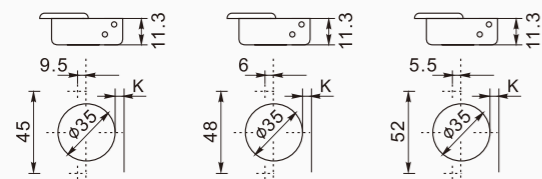
反弹缓冲快拆铰链

材料: 冷轧钢板
开启角度: 100°
铰杯深度: 11.3mm
铰杯直径: 35mm
面板(K)尺寸: 3-7mm
门可选用板厚度: 15-32mm

Self-open Soft Closing hinge,clip-on

Material: steel
Angle of opening: 100°
Thickness of hinge cup : 11.3mm
Diameter of hinge cup : 35mm
Dimension of door (K) : 3-7mm
Range for door thickness: 15-32mm

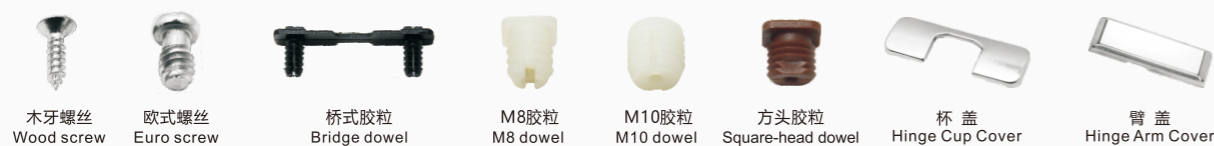
钻孔尺寸 / Hinge cup type



H=安装底座高度
D=侧板上所需盖位
K=门板外线与铰链杯钻孔距离
A=门与侧板的间隙
L=面板内线侧边外线距离
T=门板厚度

H=height of mounting plate
D=required door overlay
K=drilling distance from the edge of door to the edge of the hole
A=gap between door and sideboard
L=gap between door and carcass
T=door thickness

可选配件 / Choose fitting



产品信息 / Product information

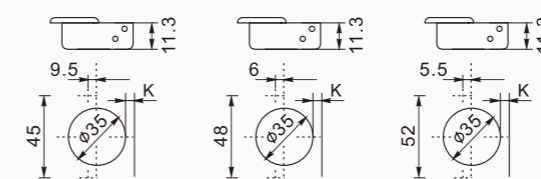
全新按弹缓冲铰链

材料: 冷轧钢板
开启角度: 100°
铰杯深度: 11.3mm
铰杯直径: 35mm
面板(K)尺寸: 3-7mm
门可选用板厚度: 15-32mm

Self-open Soft Closing hinge

Material: steel
Angle of opening: 100°
Thickness of hinge cup : 11.3mm
Diameter of hinge cup : 35mm
Dimension of door (K) : 3-7mm
Range for door thickness: 15-32mm

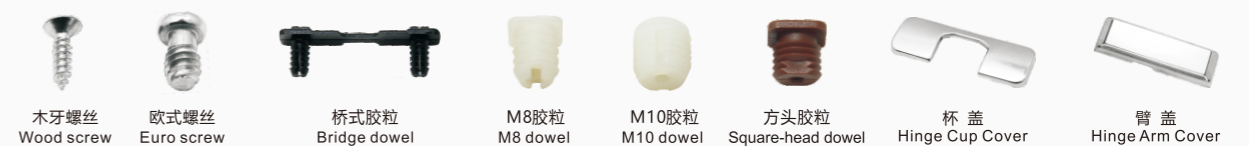
钻孔尺寸 / Hinge cup type



H=安装底座高度
D=侧板上所需盖位
K=门板外线与铰链杯钻孔距离
A=门与侧板的间隙
L=面板内线侧边外线距离
T=门板厚度

H=height of mounting plate
D=required door overlay
K=drilling distance from the edge of door to the edge of the hole
A=gap between door and sideboard
L=gap between door and carcass
T=door thickness

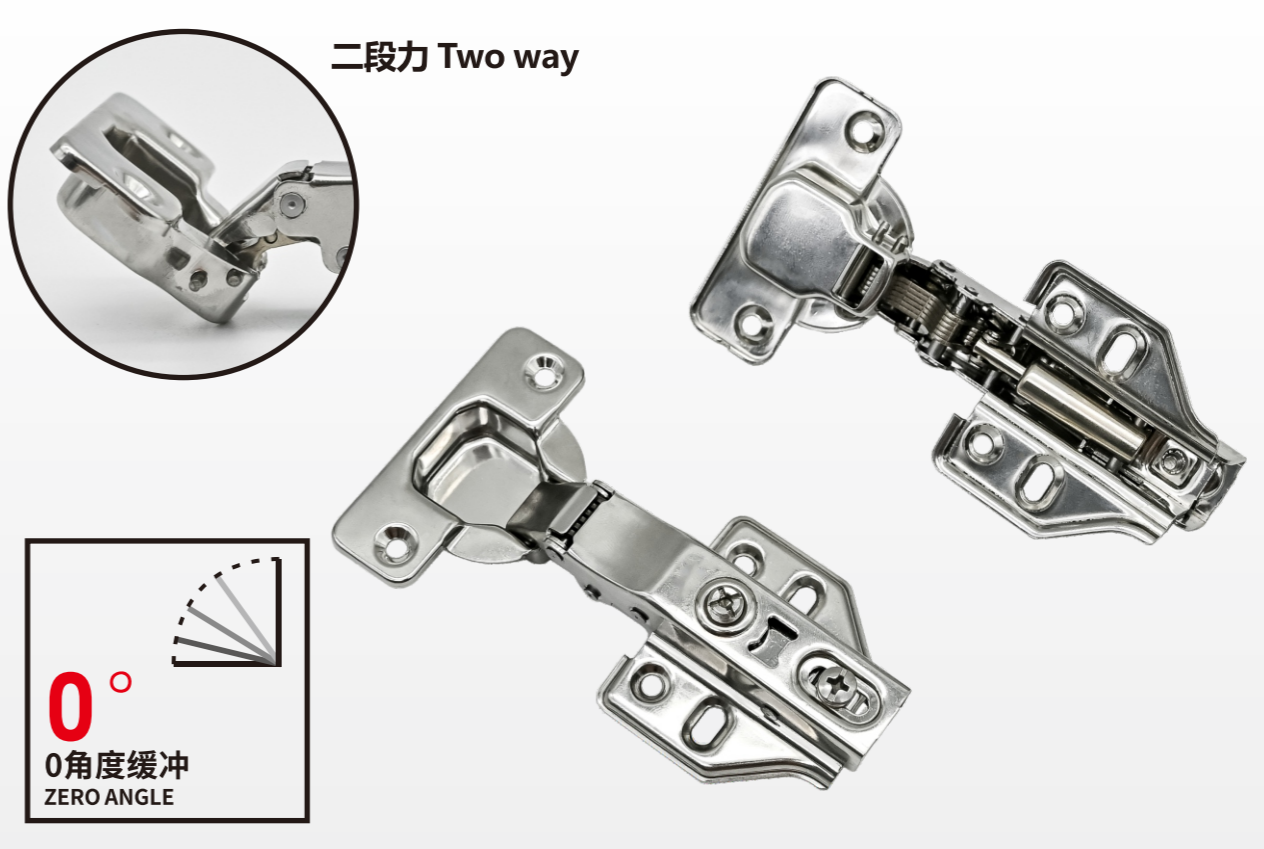
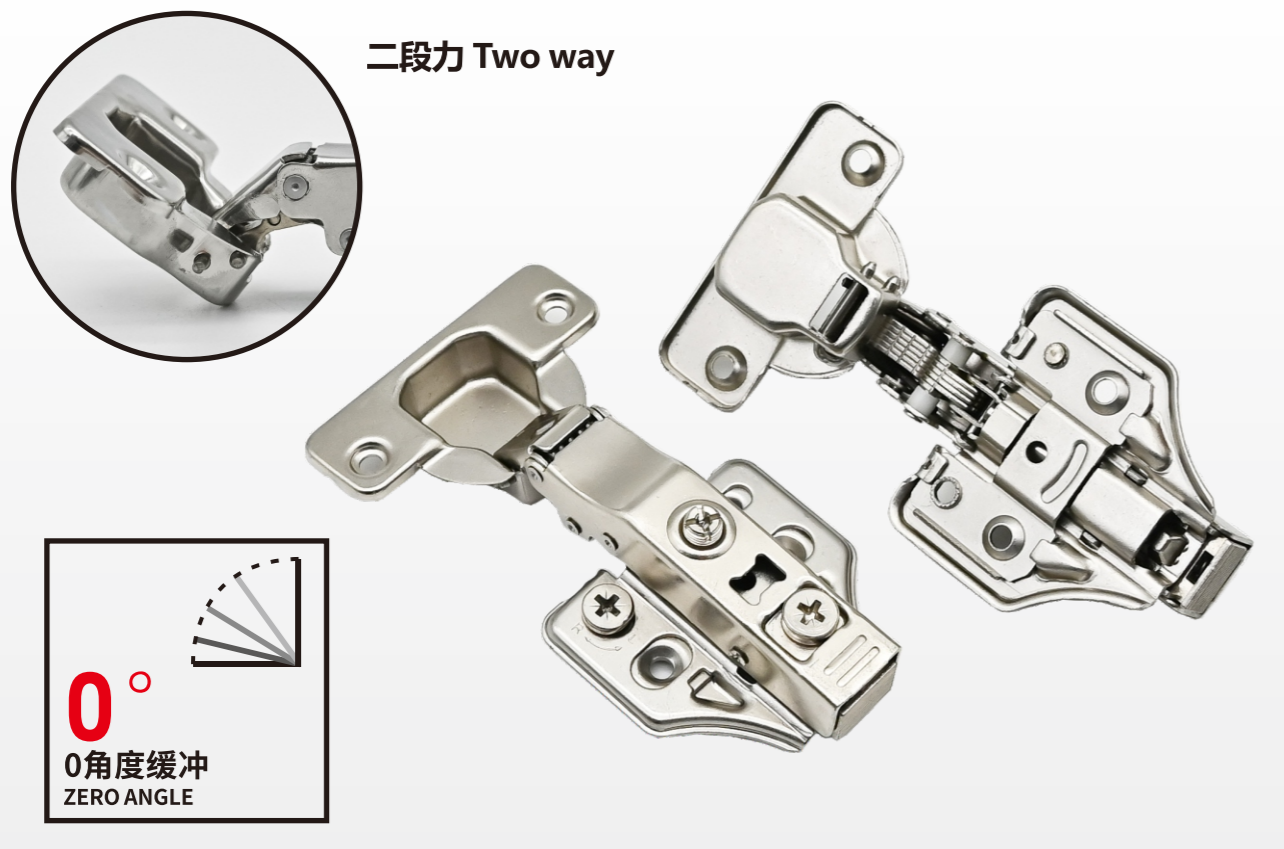
可选配件 / Choose fitting



SP1-AT 零角度二段力缓冲铰链
3D Soft Closing Hinge ZERO ANGLE, Two way



SP3S-T 不锈钢二段力缓冲铰链
Soft closing hinge, stainless steel, clip-on, two way



产品信息 / Product information

全新的3D快装二段力
材料: 冷轧钢板
开启角度: 100°
铰杯深度: 11.3mm
铰杯直径: 35mm
面板(K)尺寸: 3-7mm
门可选用板厚度: 15-32mm

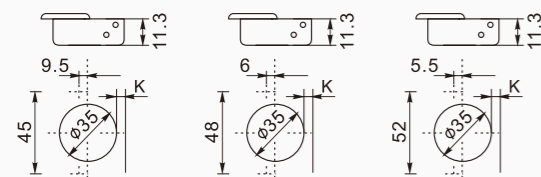
New 3D Soft Closing Hinge Clip-on, ZERO Angle, Two way
Material: steel
Angle of opening: 100°
Thickness of hinge cup : 11.3mm
Diameter of hinge cup : 35mm
Dimension of door (K) : 3-7mm
Range for door thickness: 15-32mm

产品信息 / Product information

不锈钢二段力缓冲铰链
材料: 304/201
开启角度: 100°
铰杯深度: 11.3mm
铰杯直径: 35mm
面板(K)尺寸: 3-7mm
门可选用板厚度: 15-32mm

Soft closing hinge, stainless steel, clip-on, two way
Material: steel
Angle of opening: 100°
Thickness of hinge cup : 11.3mm
Diameter of hinge cup : 35mm
Dimension of door (K) : 3-7mm
Range for door thickness: 15-32mm

钻孔尺寸 / Hinge cup type



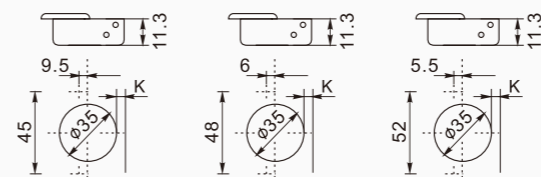
H=安装底座高度
D=侧板上所需盖位
K=门板外线与铰链杯钻孔距离
A=门与侧板的间隙
L=面板内线侧边外线距离
T=门板厚度

H=height of mounting plate
D=required door overlay
K=drilling distance from the edge of door to the edge of the hole
A=gap between door and sideboard
L=gap between door and carcass
T=door thickness

可选配件 / Choose fitting



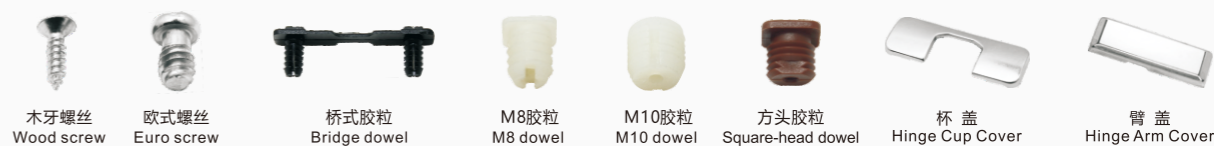
钻孔尺寸 / Hinge cup type

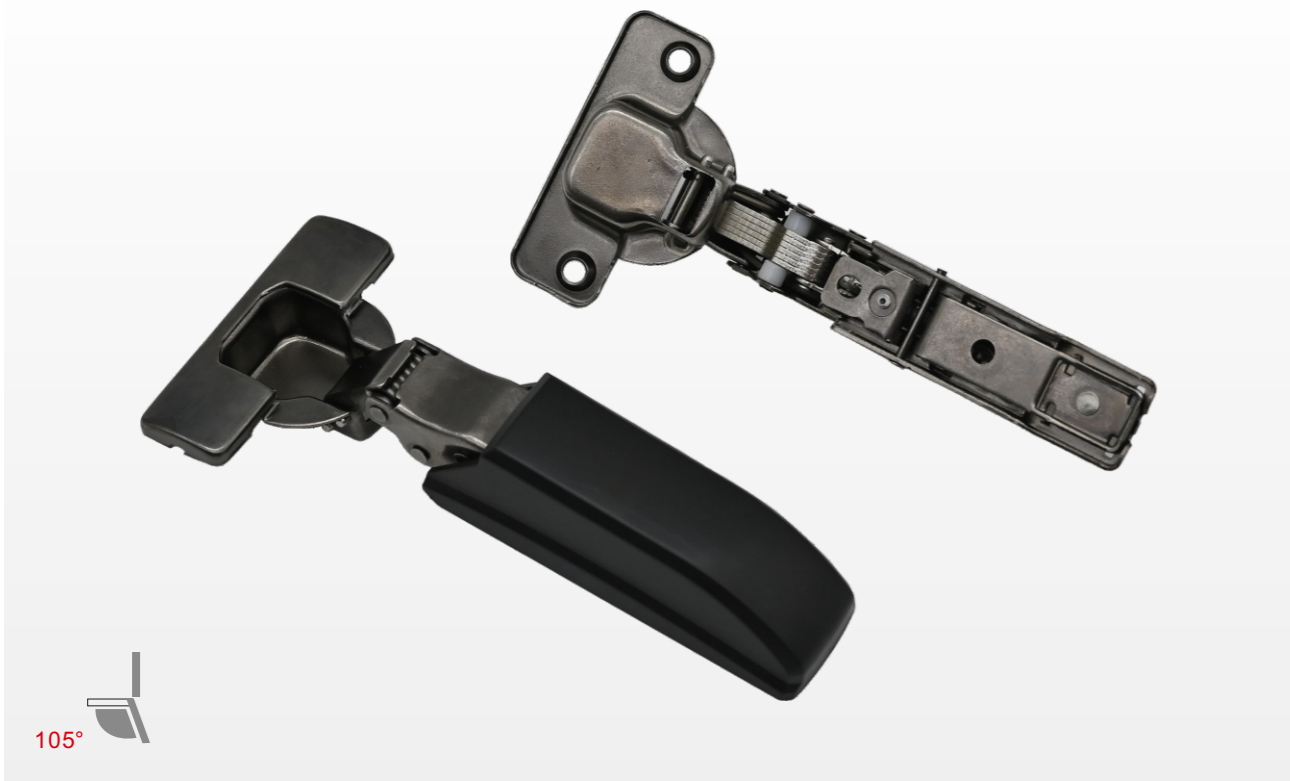


H=安装底座高度
D=侧板上所需盖位
K=门板外线与铰链杯钻孔距离
A=门与侧板的间隙
L=面板内线侧边外线距离
T=门板厚度

H=height of mounting plate
D=required door overlay
K=drilling distance from the edge of door to the edge of the hole
A=gap between door and sideboard
L=gap between door and carcass
T=door thickness

可选配件 / Choose fitting





产品信息 / Product information

**内置液压阻尼缓冲铰链
底座可拆卸**
材料: 冷轧钢板
开启角度: 105°
铰杯厚度: 11.5毫米
铰杯直径: 35毫米
适用门厚: 14-21毫米
主要材质: 冷轧钢
表面处理: 镀黑镍

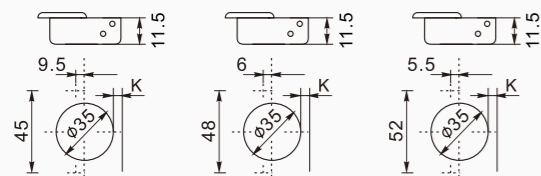
**HYDRAULIC HINGE
DETACHABLE BASE**
Opening angle: 105°
Depth of hinge cup: 11.5mm
Dia.of hinge cup:35mm
Door thickness:14-21 mm
Main material:Cold-rolled steel
Finish: black nickel

产品信息 / Product information

**内置液压阻尼缓冲铰链
底座可拆卸**
材料: 冷轧钢板
开启角度: 105°
铰杯厚度: 11.5毫米
铰杯直径: 35毫米
适用门厚: 14-21毫米
主要材质: 冷轧钢
表面处理: 镀黑镍

**HYDRAULIC HINGE
DETACHABLE BASE**
Opening angle: 105°
Depth of hinge cup: 11.5mm
Dia.of hinge cup:35mm
Door thickness:14-21 mm
Main material:Cold-rolled steel
Finish: black nickel

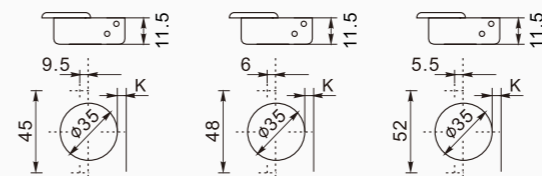
钻孔尺寸 / Hinge cup type



H=安装底座高度
D=侧板上所需盖位
K=门板外线与铰链杯钻孔距离
A=门与侧板的间隙
L=面板内线侧边外线距离
T=门板厚度

H=height of mounting plate
D=required door overlay
K=drilling distance from the edge of door to the edge of the hole
A=gap between door and sideboard
L=gap between door and carcass
T=door thickness

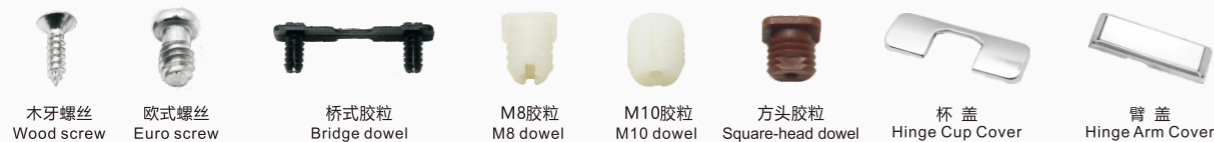
钻孔尺寸 / Hinge cup type



H=安装底座高度
D=侧板上所需盖位
K=门板外线与铰链杯钻孔距离
A=门与侧板的间隙
L=面板内线侧边外线距离
T=门板厚度

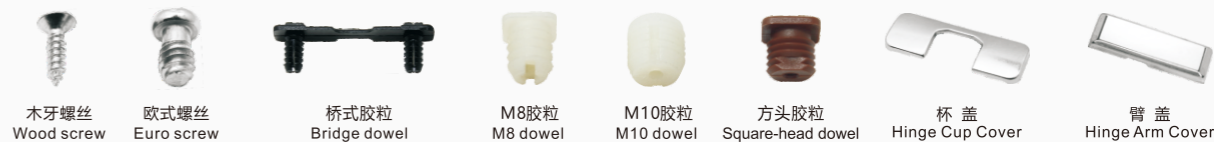
H=height of mounting plate
D=required door overlay
K=drilling distance from the edge of door to the edge of the hole
A=gap between door and sideboard
L=gap between door and carcass
T=door thickness

可选配件 / Choose fitting



木牙螺丝 Wood screw 欧式螺丝 Euro screw 桥式胶粒 Bridge dowel M8胶粒 M8 dowel M10胶粒 M10 dowel 方头胶粒 Square-head dowel 杯盖 Hinge Cup Cover 臂盖 Hinge Arm Cover

可选配件 / Choose fitting

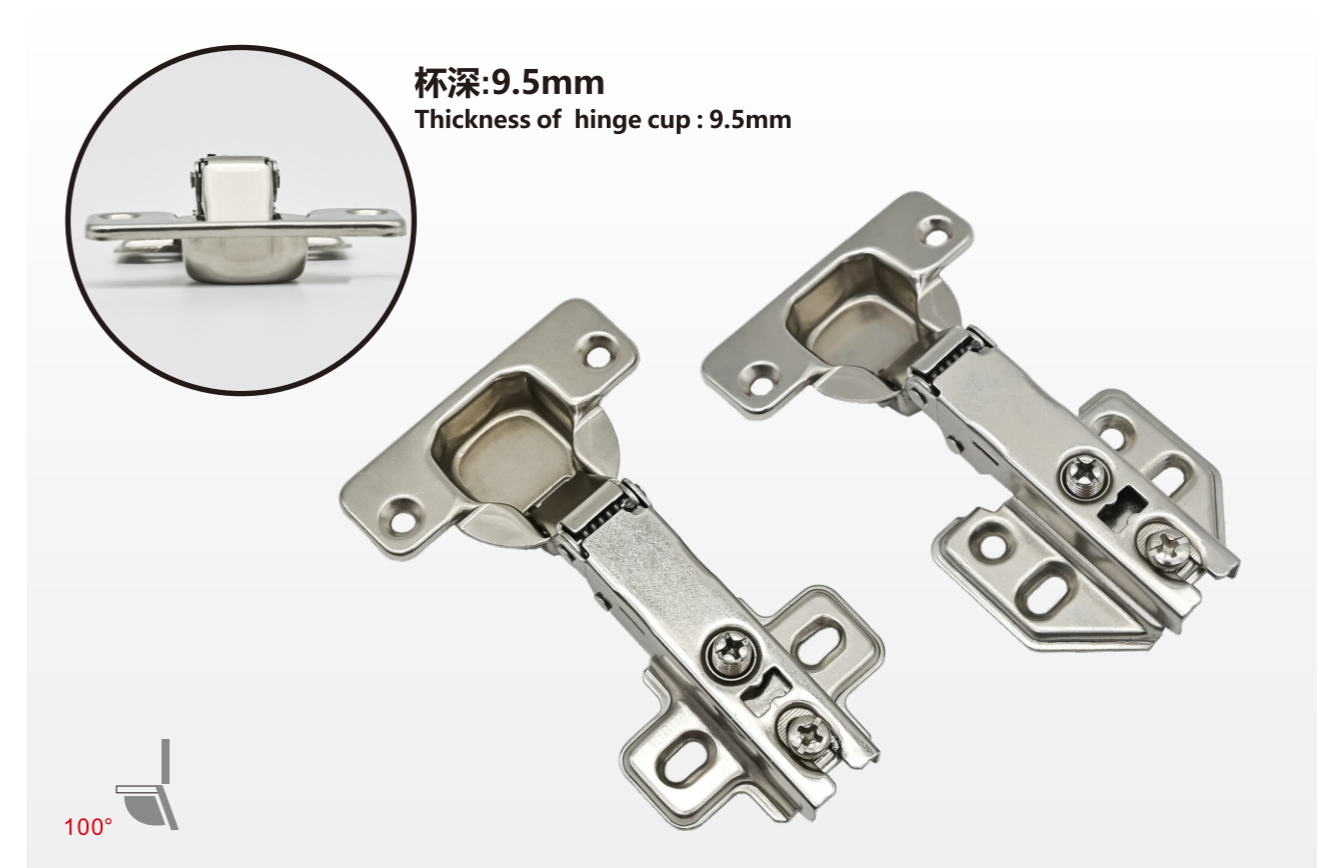
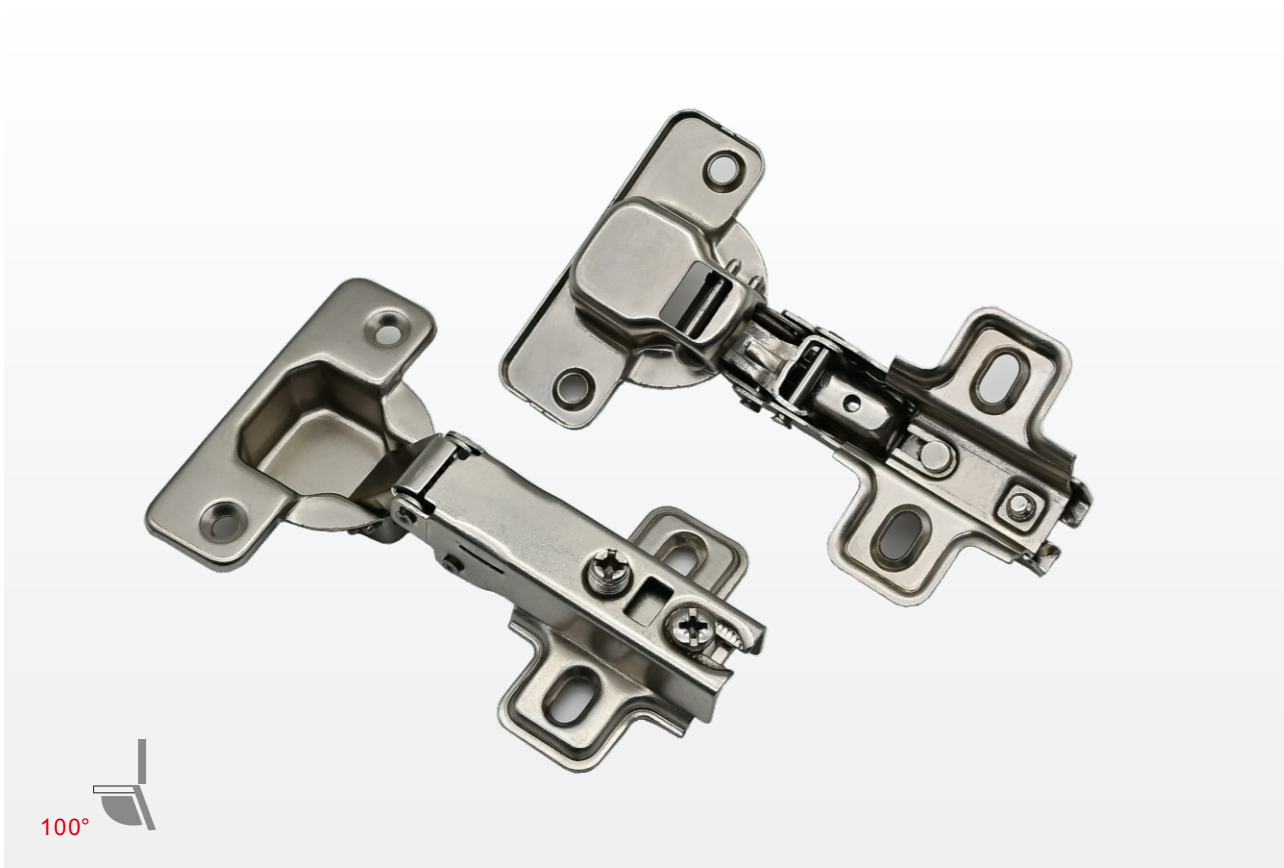


木牙螺丝 Wood screw 欧式螺丝 Euro screw 桥式胶粒 Bridge dowel M8胶粒 M8 dowel M10胶粒 M10 dowel 方头胶粒 Square-head dowel 杯盖 Hinge Cup Cover 臂盖 Hinge Arm Cover

SP10
Soft closing hinge 滑入式缓冲铰链



SP10L
Soft closing hinge 浅杯滑入式缓冲铰链



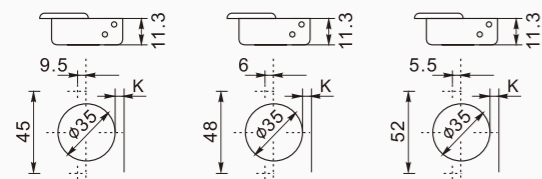
杯深:9.5mm
Thickness of hinge cup : 9.5mm

产品信息 / Product information

滑入式缓冲铰链
材料: 冷轧钢板
开启角度: 110°
铰杯深度: 11.3mm
铰杯直径: 35mm
面板(K)尺寸: 3-6mm
门可选用板厚度: 14-26mm

slide-on soft closing hinge
Material: steel
Angle of opening: 110°
Thickness of hinge cup : 11.3mm
Diameter of hinge cup : 35mm
Dimension of door (K) : 3-6mm
Range for door thickness: 14-26mm

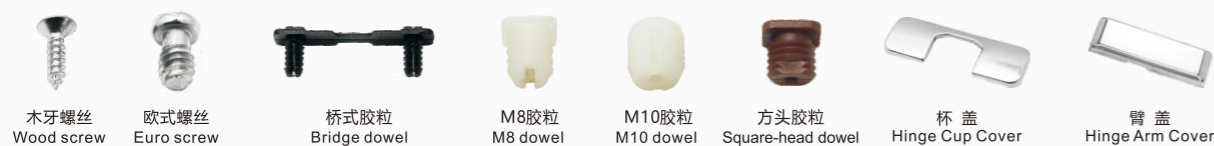
钻孔尺寸 / Hinge cup type



H=安装底座高度
D=侧板上所需盖位
K=门板外线与铰链杯钻孔距离
A=门与侧板的间隙
L=面板内线侧边外线距离
T=门板厚度

H=height of mounting plate
D=required door overlay
K=drilling distance from the edge of door to the edge of the hole
A=gap between door and sideboard
L=gap between door and carcass
T=door thickness

可选配件 / Choose fitting



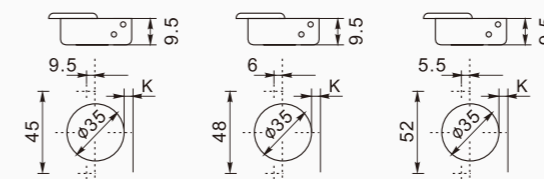
木牙螺丝 Wood screw 欧式螺丝 Euro screw 桥式胶粒 Bridge dowel M8胶粒 M8 dowel M10胶粒 M10 dowel 方头胶粒 Square-head dowel 杯盖 Hinge Cup Cover 臂盖 Hinge Arm Cover

产品信息 / Product information

滑入式缓冲铰链
材料: 冷轧钢板
开启角度: 110°
铰杯深度: 9.5mm
铰杯直径: 35mm
面板(K)尺寸: 3-6mm
门可选用板厚度: 14-26mm

slide-on soft closing hinge
Material: steel
Angle of opening: 110°
Thickness of hinge cup : 9.5mm
Diameter of hinge cup : 35mm
Dimension of door (K) : 3-6mm
Range for door thickness: 14-26mm

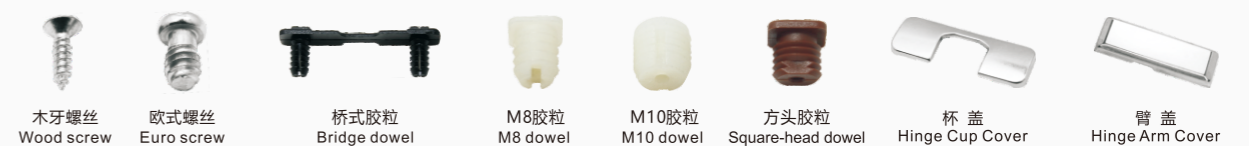
钻孔尺寸 / Hinge cup type



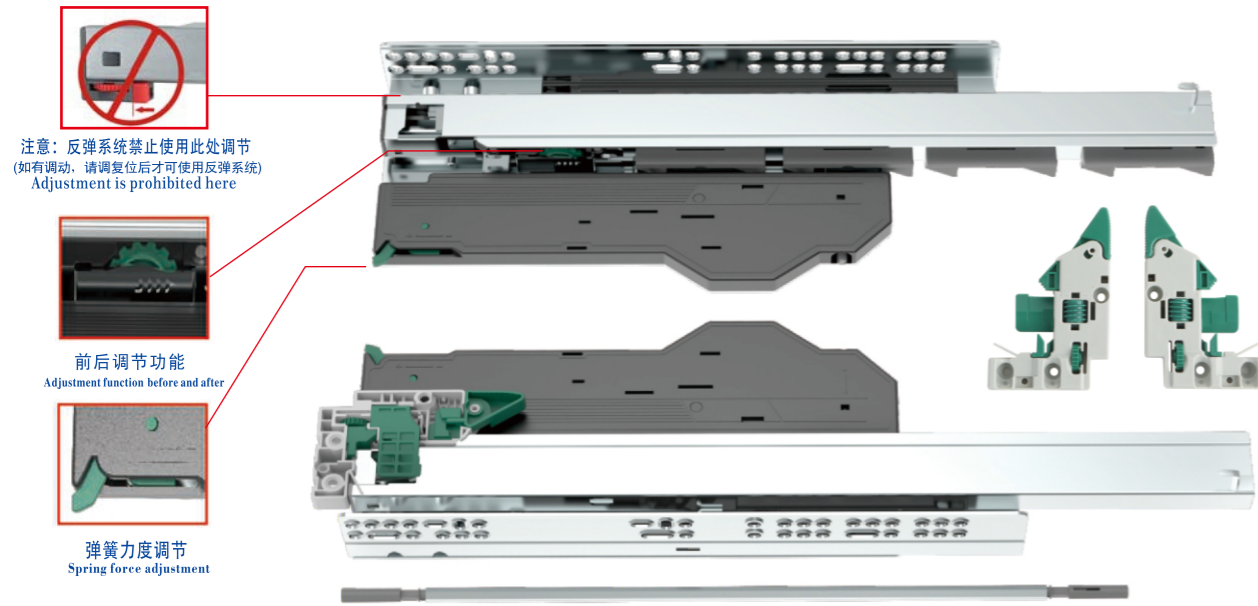
H=安装底座高度
D=侧板上所需盖位
K=门板外线与铰链杯钻孔距离
A=门与侧板的间隙
L=面板内线侧边外线距离
T=门板厚度

H=height of mounting plate
D=required door overlay
K=drilling distance from the edge of door to the edge of the hole
A=gap between door and sideboard
L=gap between door and carcass
T=door thickness

可选配件 / Choose fitting



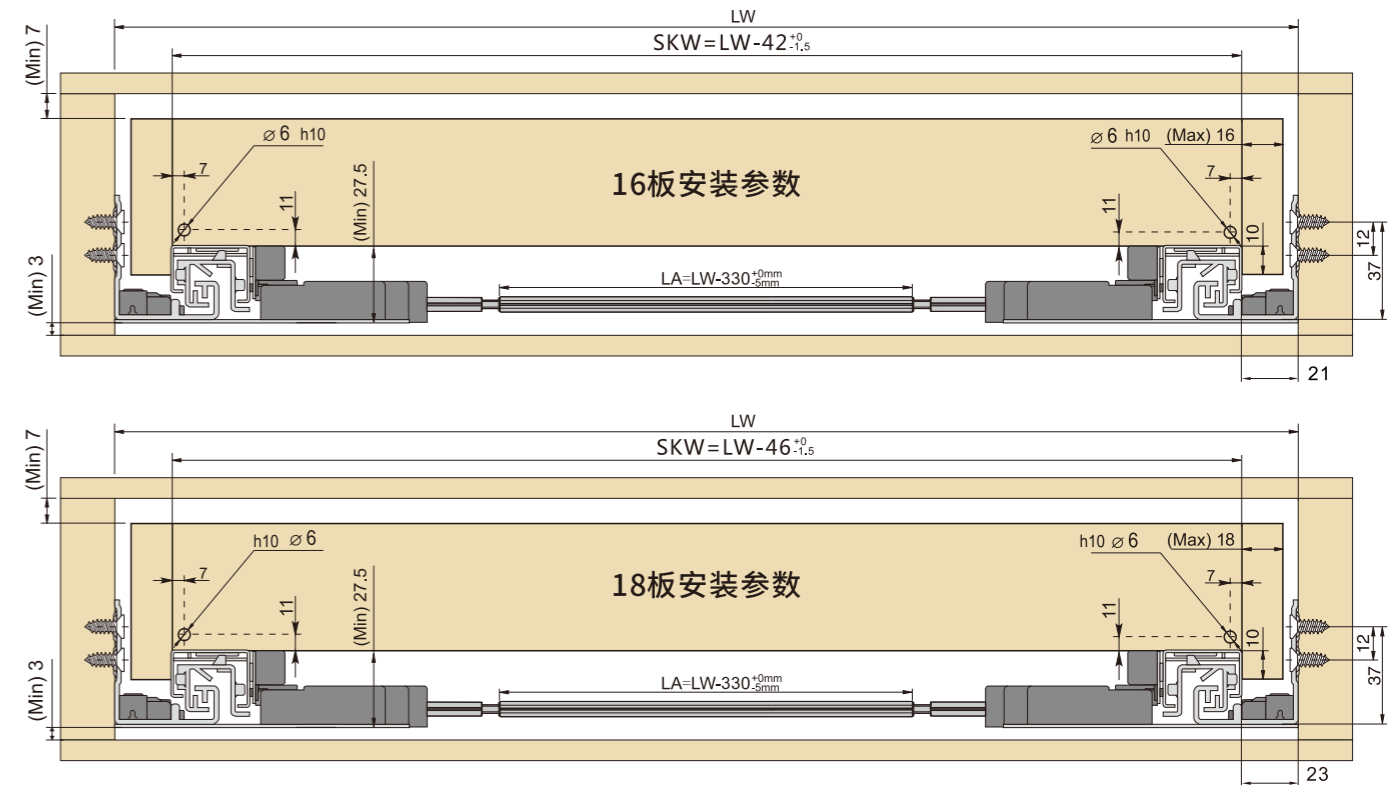
木牙螺丝 Wood screw 欧式螺丝 Euro screw 桥式胶粒 Bridge dowel M8胶粒 M8 dowel M10胶粒 M10 dowel 方头胶粒 Square-head dowel 杯盖 Hinge Cup Cover 臂盖 Hinge Arm Cover



侧轨孔位安装位置 SLIDE RAIL MOUNTING HOLE LOCATION



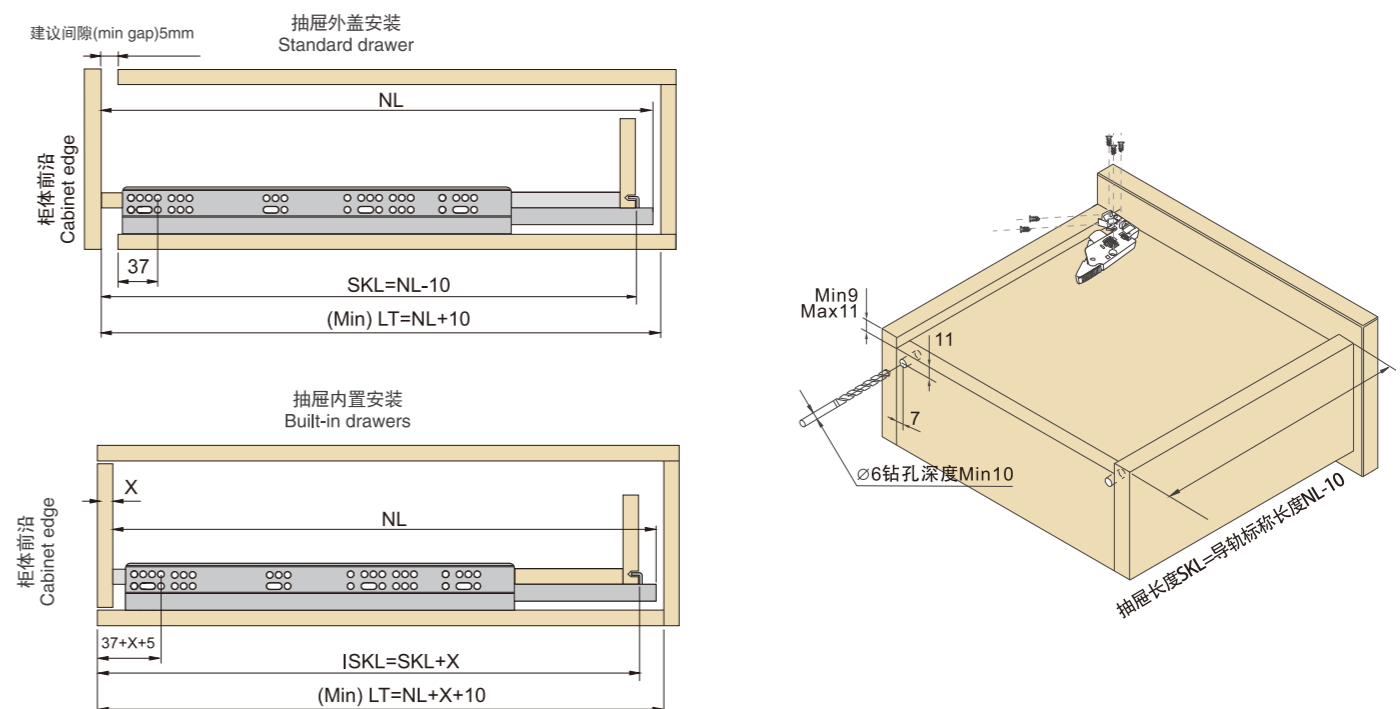
抽柜宽度尺寸 DRAWER WIDTH SIZE

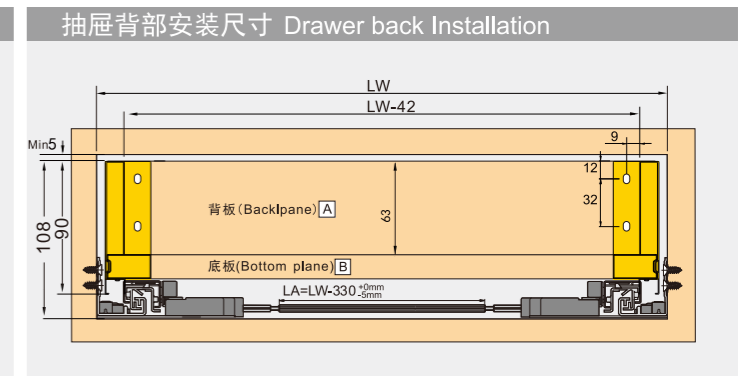
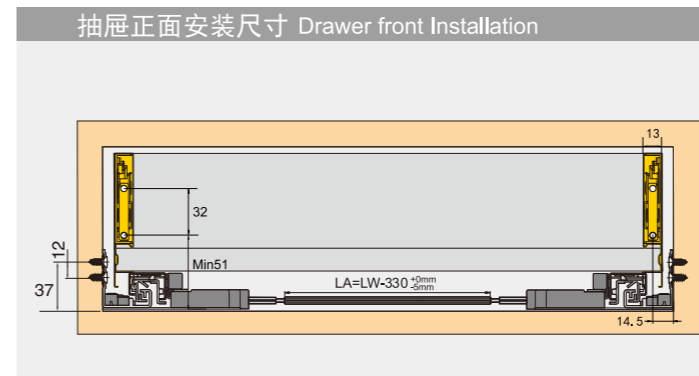
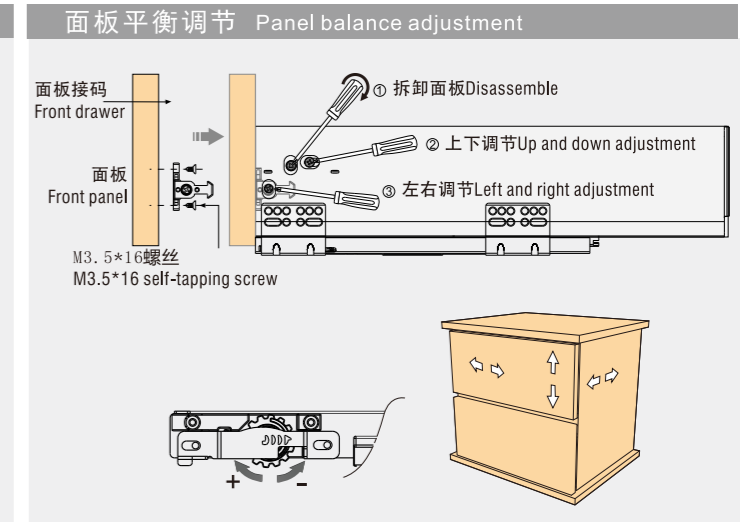
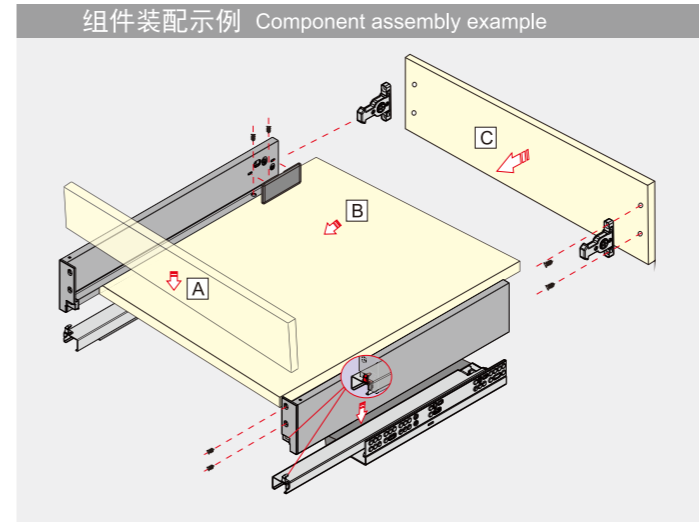
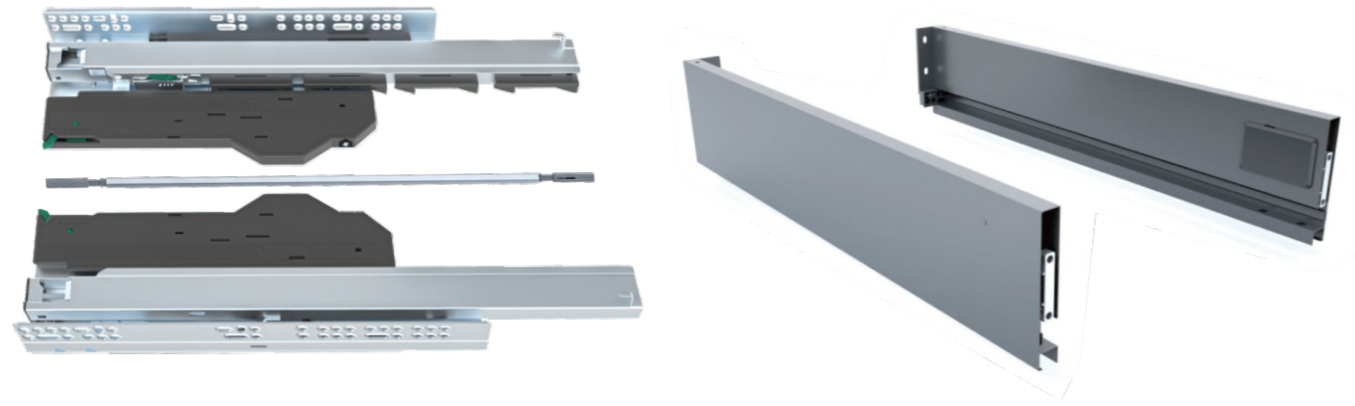


LW=柜体内部净宽
 LW=Cabinet inner width
 NL=导轨标称长度
 NL=Nominal slide length
 LA=铝杆长度
 LA=Aluminum rod length
 LT=柜体内部深度
 LT=Cabinet inner depth
 SKW=抽屉宽度
 SKW=Drawer width
 SKL=抽屉长度
 SKL=Drawer length
 最大尺寸
 Max
 ISKL=内抽屉长度
 ISKL=Drawer inner length
 最小尺寸
 Min
 X=抽屉面板厚度
 X=Drawer panel thickness

抽柜深度尺寸 DRAWER DEPTH SIZE

抽屉底部加工 DRAWER BOTTOM PROCESSING





侧轨孔位安装位置 SLIDE RAIL MOUNTING HOLE LOCATION

NL=导轨标称长度
NL=Nominal slide length

规格	14"	16"	18"	20"	22"	24"	26"	28"
NL	350	400	450	500	550	600	650	700

隐藏式中外轨同步拉出
按弹开启缓冲复位三节导轨
动态负载: 45Kg(14"-28")
材质: 镀锌钢板
材料厚度(上/中/下轨): 1.0x1.5x1.8mm
带快速拆装扣手, 抽屉可快速安装和拆卸
抽屉面板高度间隙可调1-3mm
包装规格: 1套/盒

Three-fold push open&soft close synchronizing concealed slides
Load capacity : 45kg(14"-28")
Material : galvanized sheet
Thickness of material (1.0/1.5/1.8mm)
Tool-free quick installation
Drawer height adjustable by 1-3mm
Packing : 1sets/box

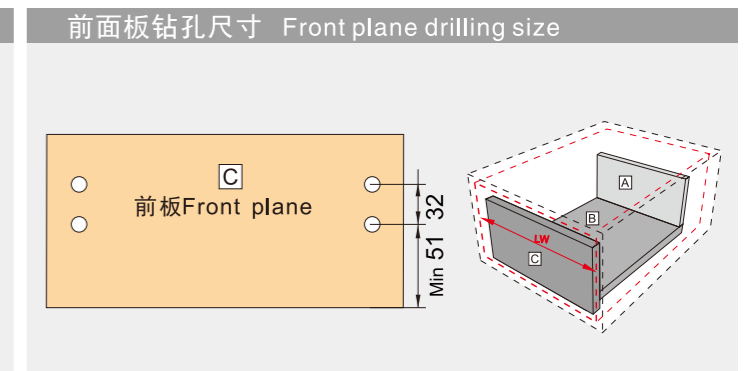
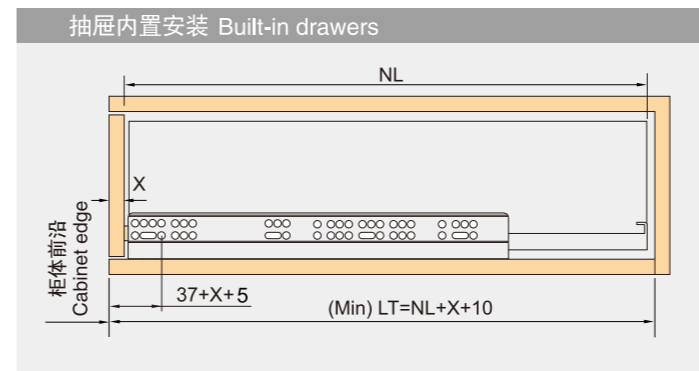
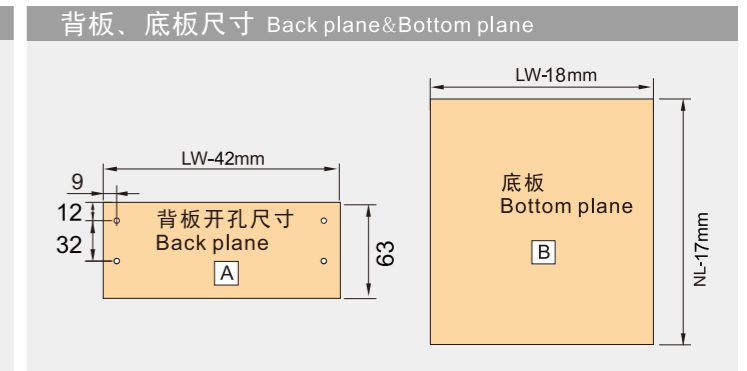
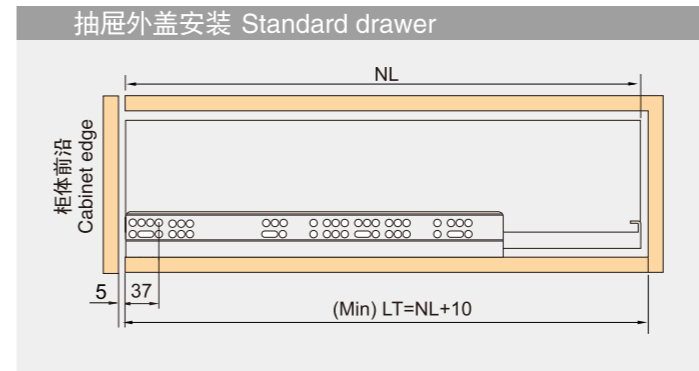
LW=柜体内部净宽
LW=Cabinet inner width

LT=柜体内部深度
LT=Cabinet inner depth

LA=铝杆长度
LA=Aluminum rod length

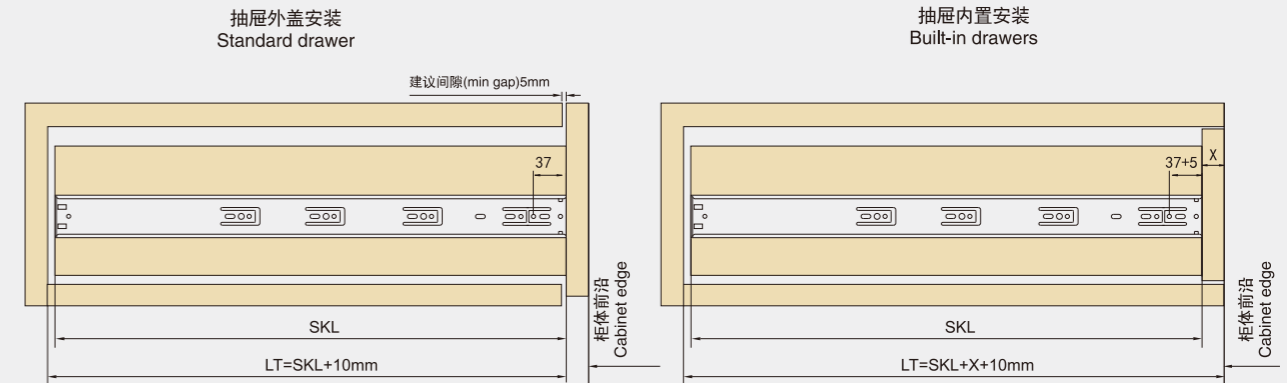
NL=骑马抽标称长度
NL=Nominal slide length

最小尺寸
Min





深度尺寸 DEPTH SIZE



LT=柜体内部深度 SKL=抽屉长度 X=抽屉面板厚度
LT=Cabinet inner depth SKL=Drawer length X=Drawer panel thickness

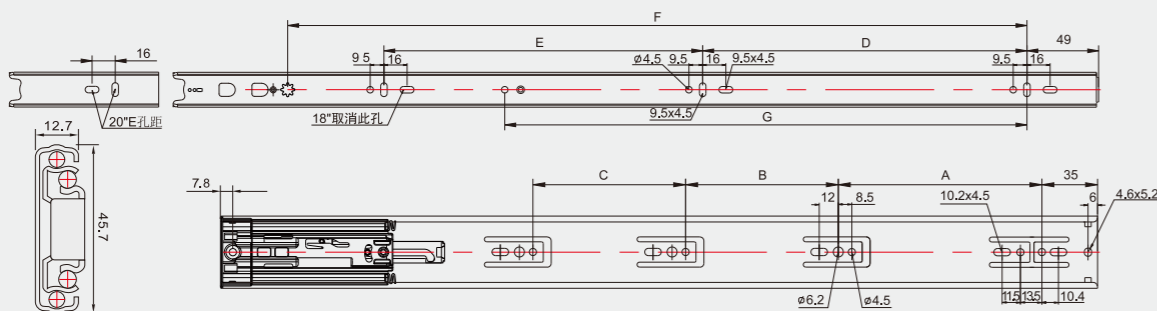
规格说明 SPECIFICATIONS

长度:250~700mm
导轨宽度:45mm
导轨厚度:12.7mm
动态负载:30kg(18")
安装形式:抽屉侧面
表面处理:电泳黑、电镀锌
材质:冷轧钢板
材料厚度: 4513DB:1.5x1.2x1.2mm(内轨、中轨、外轨)

Length:250~700mm
Slide width:45mm
Slide thickness:12.7mm
Maximum load:30kg(18")
The installed forms: drawer side
Surface treatment: electrophoresis black, electro-galvanized
Material:cold-rolled steel
Material thickness: 4513DB:1.5x1.2x1.2mm(I/M/O)

适用范围:橱柜、室内家具、办公家具、家装工程等
包装规格:15套/箱

Scope:Cabinet/Home furniture/Office furniture/ Decoration project etc.
Packing:15 sets/CTN



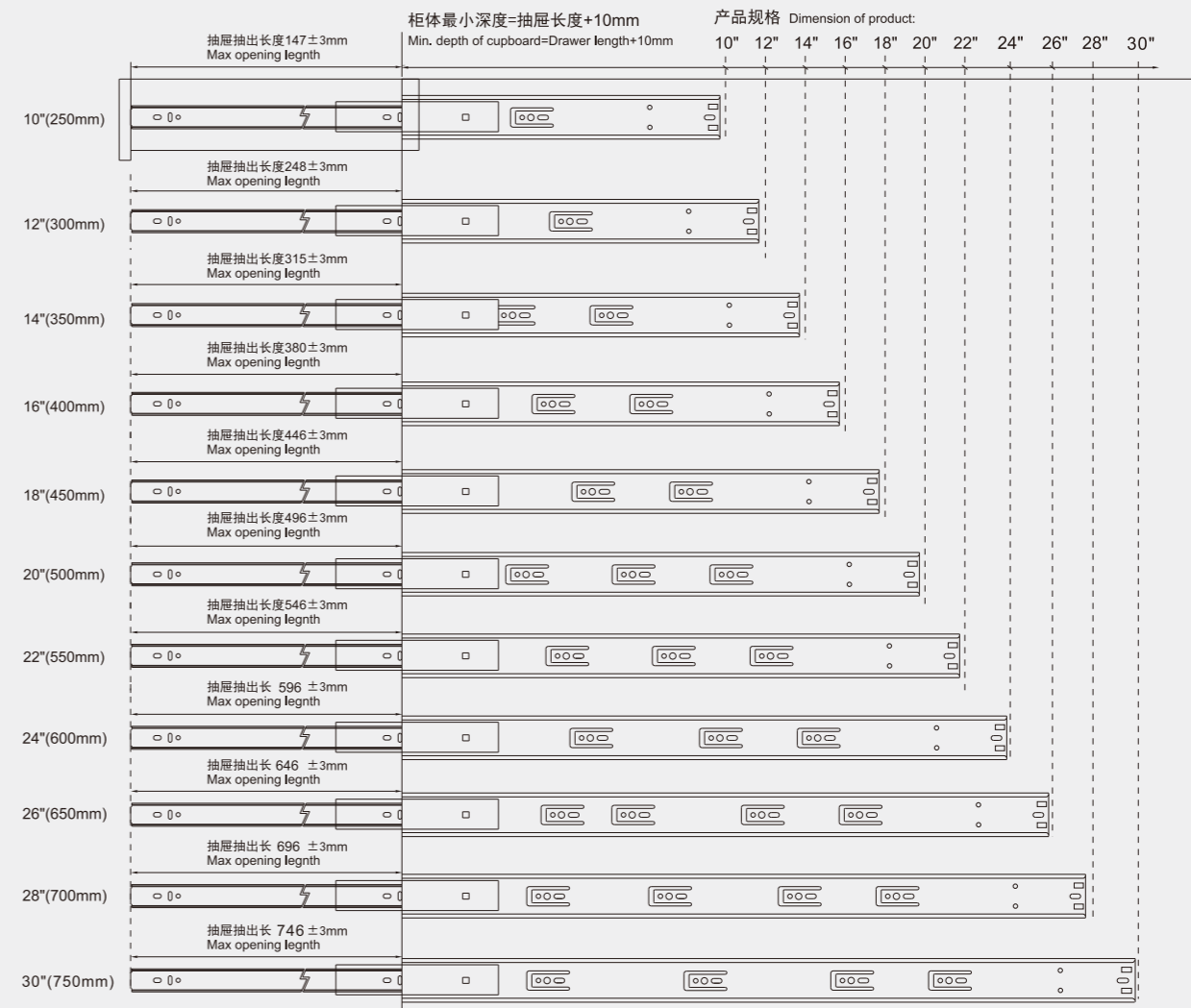
订购信息

规格 SIZE	A(mm)	B(mm)	C(mm)	D(mm)	E(mm)	F(mm)	G(mm)
10" (250mm)						123	
12" (300mm)	96			64		173	
14" (350mm)	72.5	55.5		96		223	
16" (400mm)	128	55.5		128		246	
18" (450mm)	128	96		160	125	296	
20" (500mm)	128	96	64	192	128	346	310.5
22" (550mm)	128	96	96	192	192	396	334
24" (600mm)	128	96	128	224	192	446	358
26" (650mm)	128	96	128	256	224	496	387.5
28" (700mm)	128	96	128	288	224	546	412.5
30" (750mm)	128	96	128	288	288	596	438

宽度尺寸: LW=柜体内部净宽 SKW=抽屉宽度
LW=Cabinet inner width SKW=D awse width

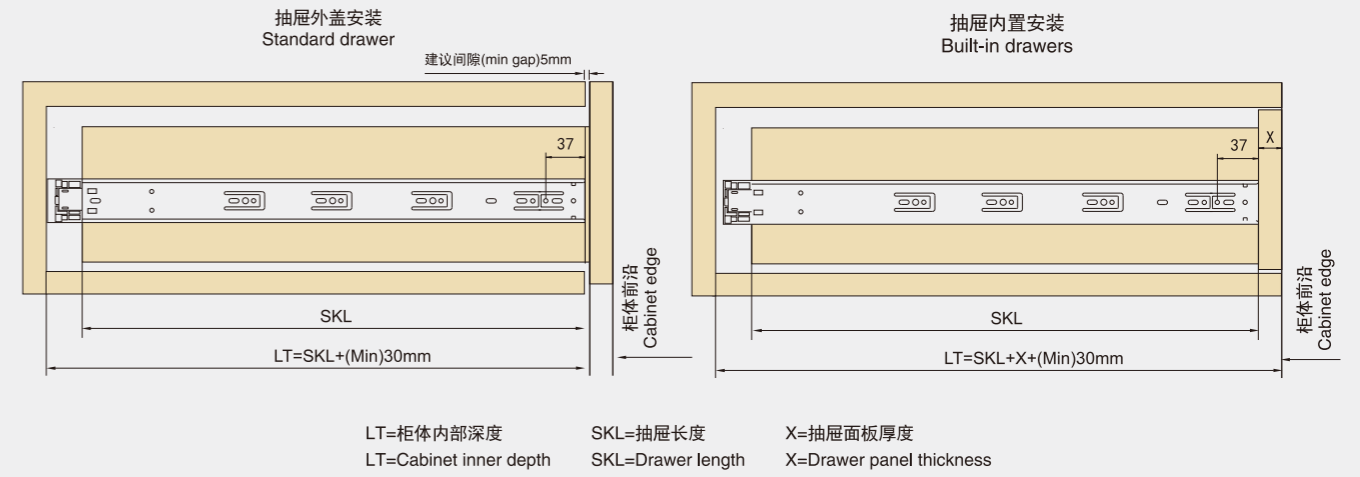


安装指示 INSTALLATION INSTRUCTIONS





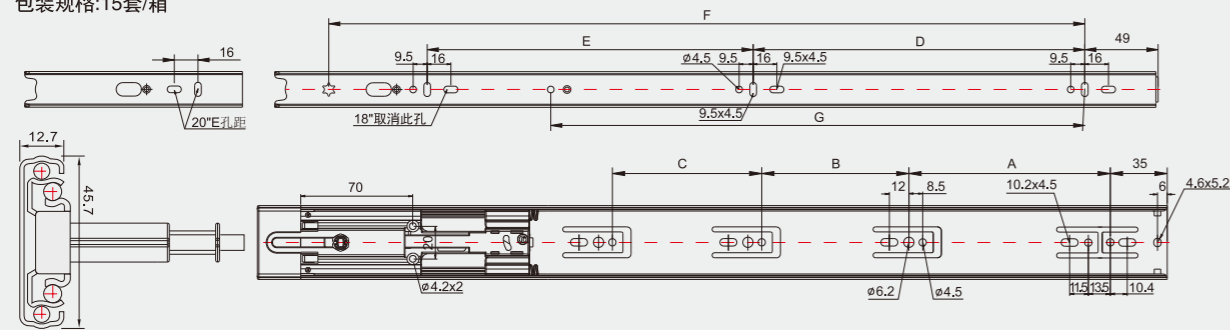
深度尺寸 DEPTH SIZE



规格说明 SPECIFICATIONS

长度:250~600mm
导轨宽度:45mm
导轨厚度:12.7mm
动态负载:30kg(18")
安装形式:抽屉侧面
表面处理:电泳黑、电镀锌
材质:冷轧钢板
材料厚度:1.5x1.2x1.2mm(内轨、中轨、外轨)
适用范围:橱柜、室内家具、办公家具、家装工程等
包装规格:15套/箱

Length:250~600mm
Slide width:45mm
Slide thickness:12.7mm
Maximum load:30kg(18")
The installed forms: drawer side
Surface treatment: electrophoresis black, electro-galvanized
Material:cold-rolled steel
Material thickness:1.5x1.2x1.2mm (I/M/O)
Scope:Cabinet/Home furniture/Office furniture/Decoration project etc.
Packing:15 sets/CTN

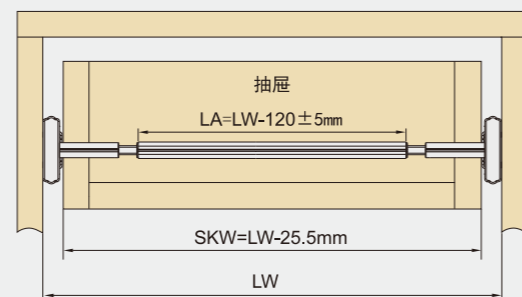


订购信息

规格 SIZE	A(mm)	B(mm)	C(mm)	D(mm)	E(mm)	F(mm)	G(mm)
10" (250mm)				64		200	
12" (300mm)	96			96		250	
14" (350mm)	72.5	55.5		128		243	
16" (400mm)	128	55.5		128			
18" (450mm)	128	96		160	125		
20" (500mm)	128	96	64	192	128		310
22" (550mm)	128	96	96	192	192		334
24" (600mm)	128	96	128	224	192		358

宽度尺寸:

LW=柜体内部净宽 Cabinet inner width
LA=铝杆长度 Aluminum rod length
SKW=抽屉宽度 Drawer width



安装指示 INSTALLATION INSTRUCTIONS

