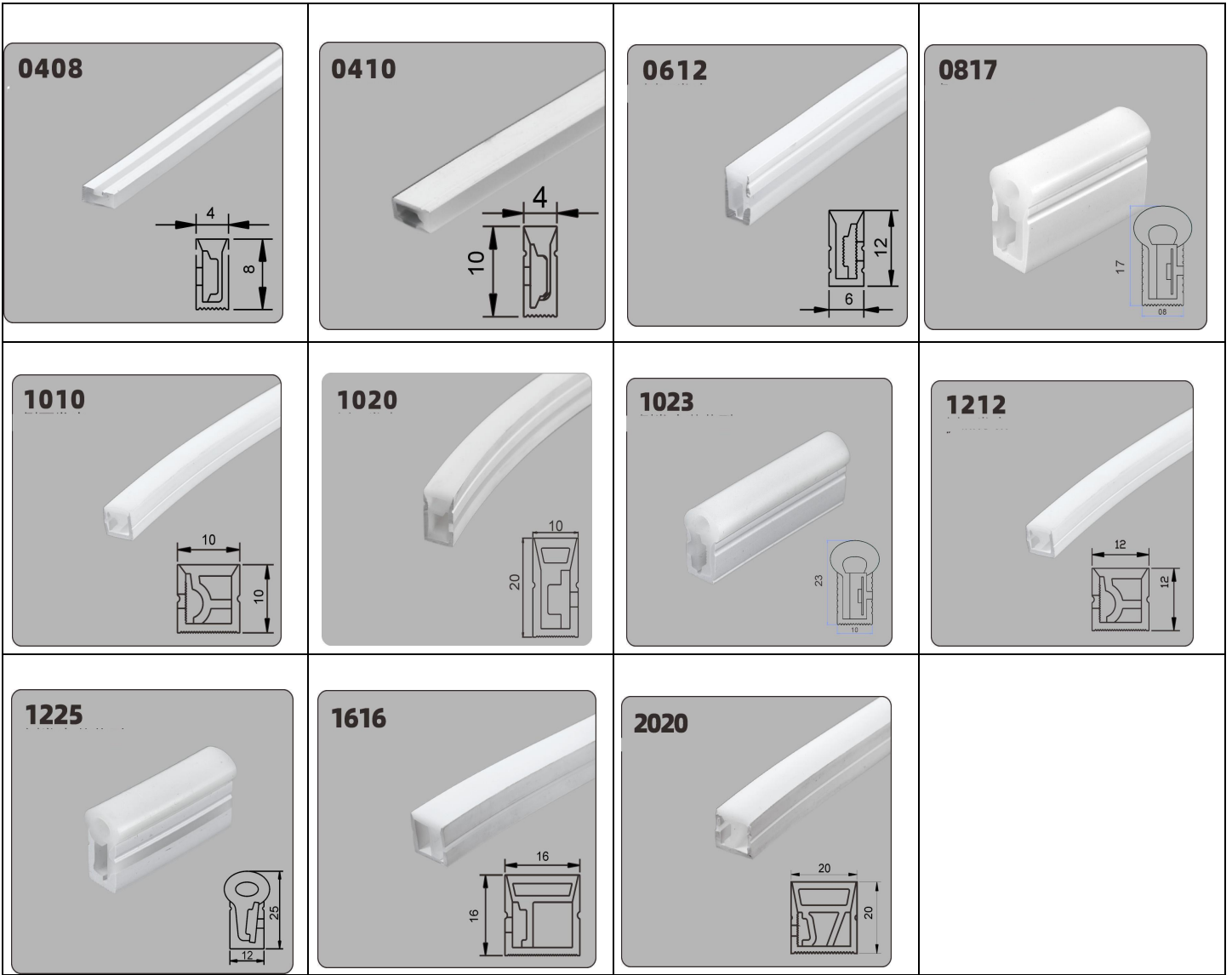
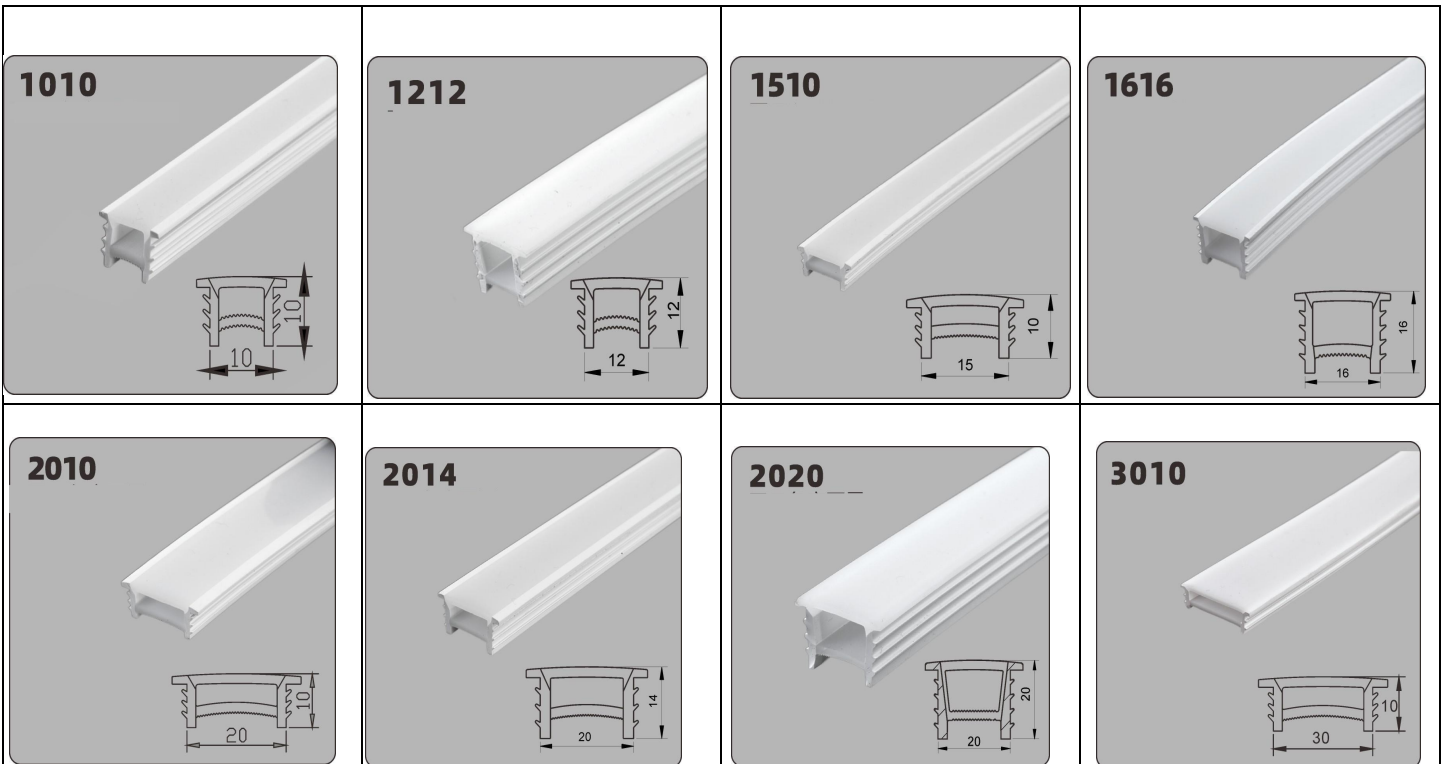
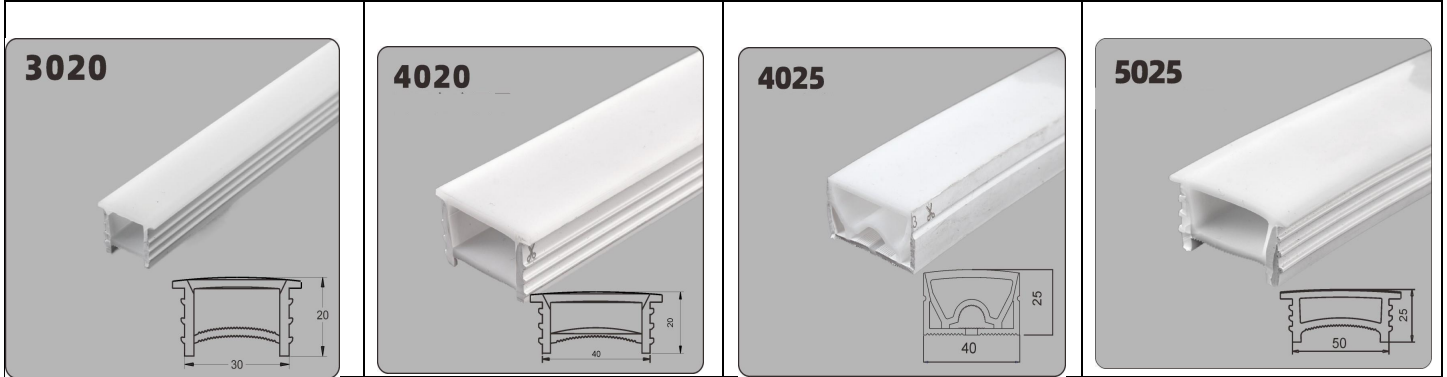


Side emitting



Side emitting





Side emitting

