



**OFFICE**  
Glass Partition

Foshan Locioo Co., Ltd  
Room 1023,10th floor,GuoXun Plaza,FoShan,China  
[www.locioo-arch.com](http://www.locioo-arch.com)  
+86 757 8399 8841  
[1@locioo.com](mailto:1@locioo.com)

## BRAND PROFILE

LOCIOO established in 2008 , we are a factory which specializing in the R & D and production of interior modular partition walls ,PDL film/glass,SPD glass,PNLC glass, our workshop covering an area of more than 6800 square meters. Since from 2010, after many aspects of research and development and experiments, we finally selected the indoor modular partition wall series products with inner steel keel and outer aluminum structure as the our benchmarked product, and already obtained numbers of appearance design patents since then.

Our team aim to fully understand and meet the individual needs of various customers, from design concept, project budget, from function to construction supervision, planning and other final solutions.



## CONTENTS

01 / 90 Single Glass Partitions

03 / 90 Double Glass Partitions

09 / 83 Single Glass Partitions

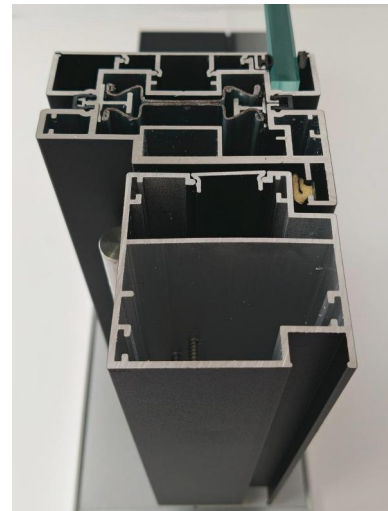
12 / 83 Double Glass Partitions

15 / 100 Single/Double Glass Partitions

19 / 108 Single/Double Glass Partitions

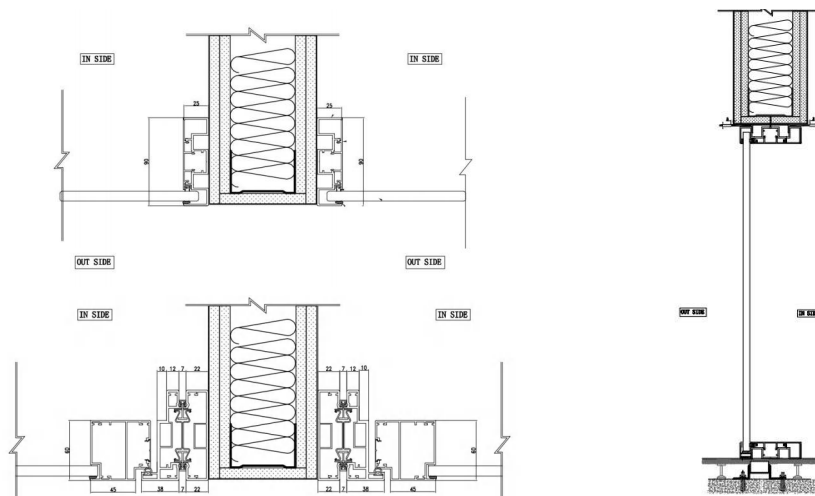
22 / Wall Protection Steel Panel Partition

25 / Partition door series



- Product Material : Extrusion molding with A00 aluminum
- Construction : Aluminium sytem with Steel Keel
- Wall Specification : Wall thickness 90mm
- Glass Specification : 8-12mm

- Finish Processing : Electrostatic powder spraying
- Partition Type : Full height & panoramic type
- Aluminium Spec : GB6063,Max thickness 3.0mm
- Color : Black,silver,white,grey

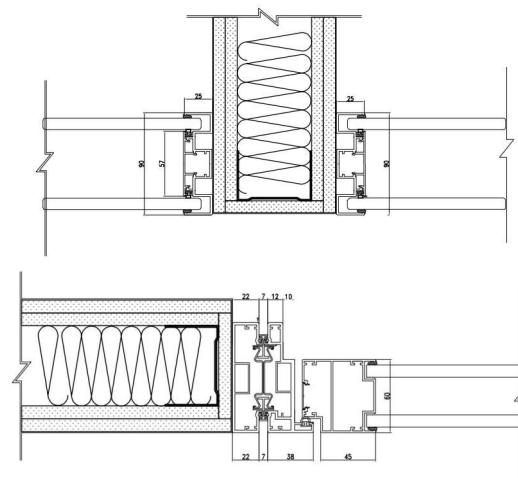
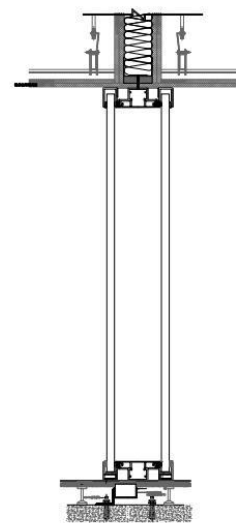




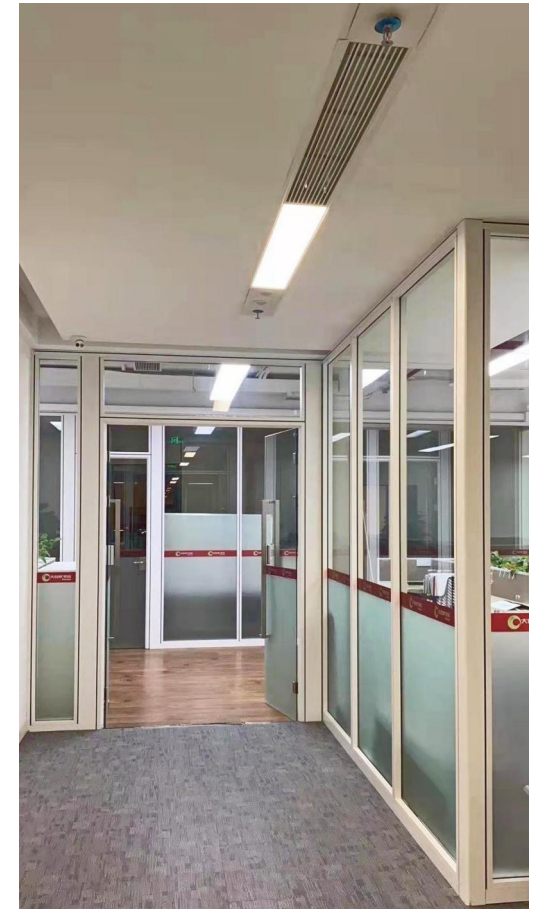
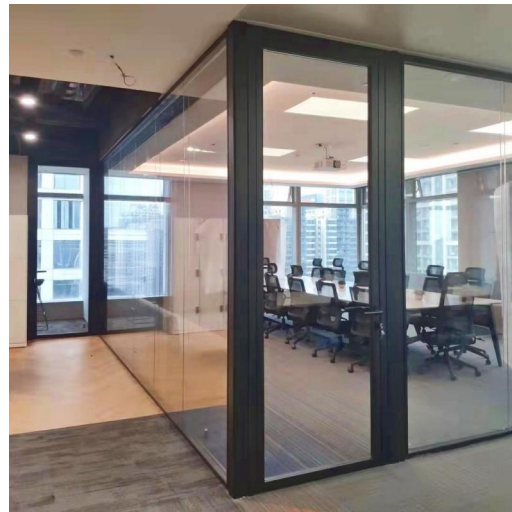
**LC 90D**  
 Double Glazed  
 Aluminium System



- Product Material : Extrusion molding with A00 aluminum
- Construction : Aluminium system with Steel Keel
- Wall Specification : Wall thickness 90mm
- Glass Specification : 8-12mm
- Finish Processing : Electrostatic powder spraying
- Partition Type : Full height & panoramic type
- Aluminium Spec : GB6063, Max thickness 3.0mm
- Color : Black, silver, white, grey



# LC90 SERIES ALUMINUM Partition



# LC 83SM

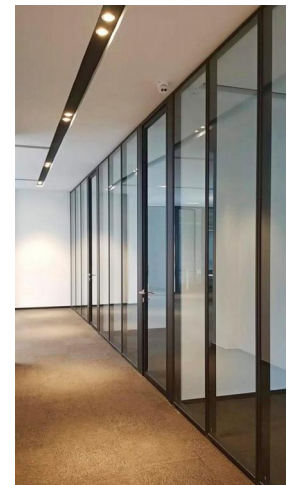
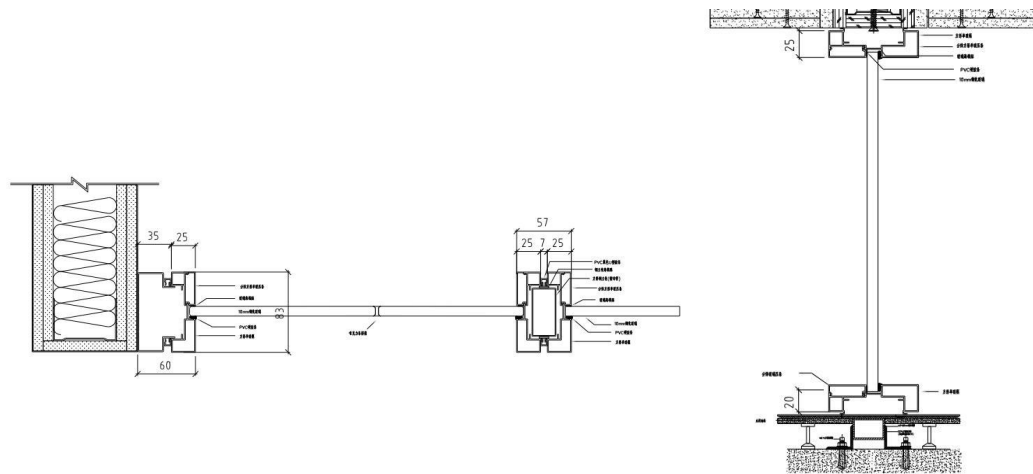
Single Glazed

Aluminium System



- Product Material : Extrusion molding with A00 aluminum
- Construction : Aluminium system with Steel Keel
- Wall Specification : Wall thickness 83mm
- Glass Specification : 8-12mm

- Finish Processing : Electrostatic powder spraying
- Partition Type : Full height & panoramic type
- Aluminium Spec : GB6063, Max thickness 3.0mm
- Color : Black, silver, white, grey





# LC 83D

Single Glazed

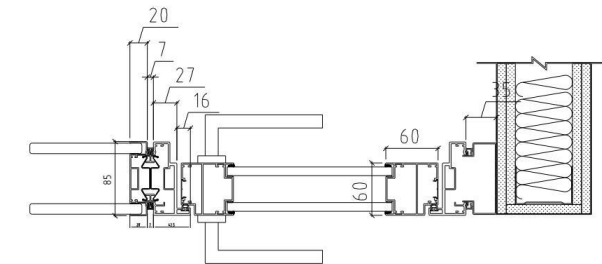
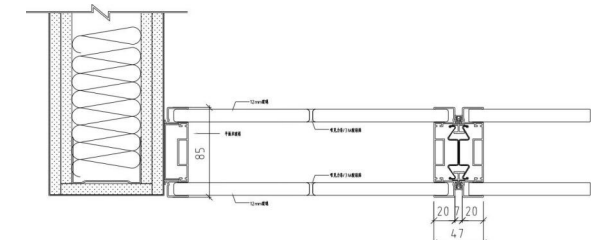
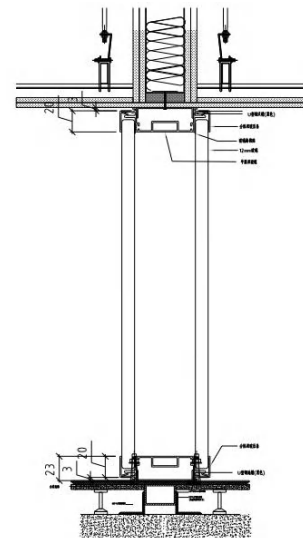
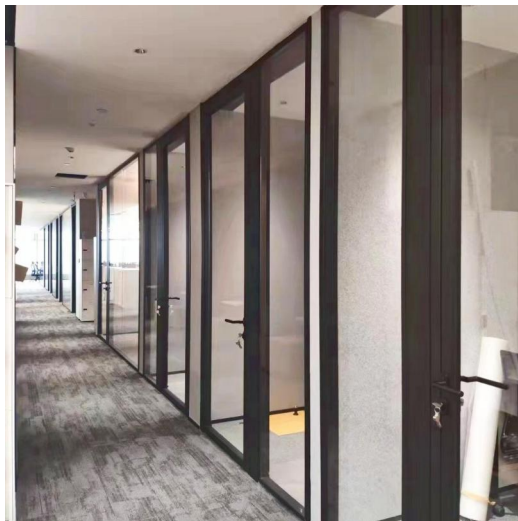
Aluminium System



OFFICE  
Glass Partition



- Product Material : Extrusion molding with A00 aluminum
- Construction : Aluminium sytem with Steel Keel
- Wall Specification : Wall thickness 83mm
- Glass Specification : 8-12mm
- Finish Processing : Electrostatic powder spraying
- Partition Type : Full height & panoramic type
- Aluminium Spec : GB6063,Max thickness 3.0mm
- Color : Black,silver,white,grey



# LC83 SERIES ALUMINUM PARTITION



# LC100SM

Single Glazed  
Aluminium System



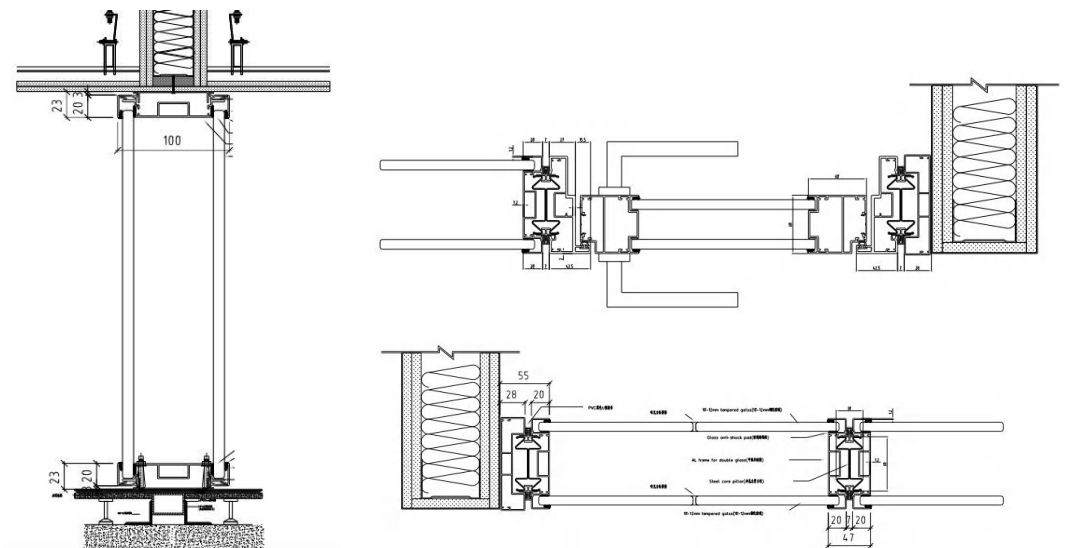
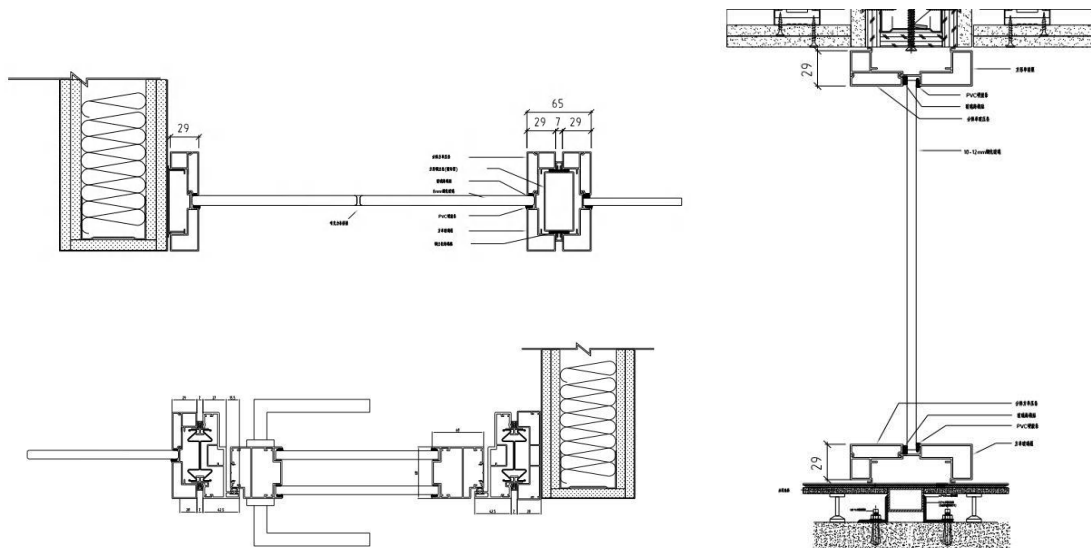
# LC100D

Double Glazed  
Aluminium System

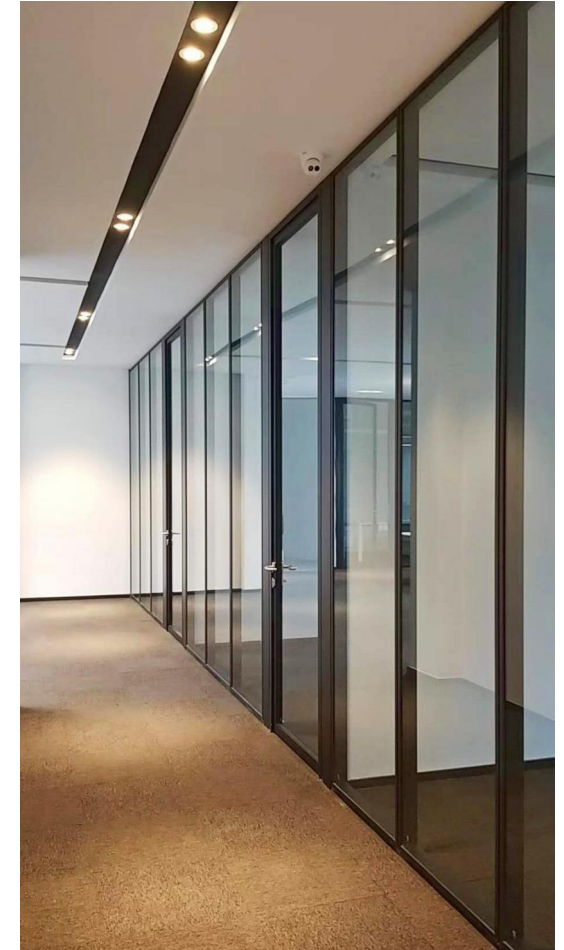


- Product Material : Extrusion molding with A00 aluminum
- Construction : Aluminium sytem with Steel Keel
- Wall Specification : Wall thickness 100mm
- Glass Specification : 8-12mm

- Finish Processing : Electrostatic powder spraying
- Partition Type : Full height & panoramic type
- Aluminium Spec : GB6063,Max thickness 3.0mm
- Color : Black,silver,white,grey



# LC100 SERIES ALUMINUM Partition





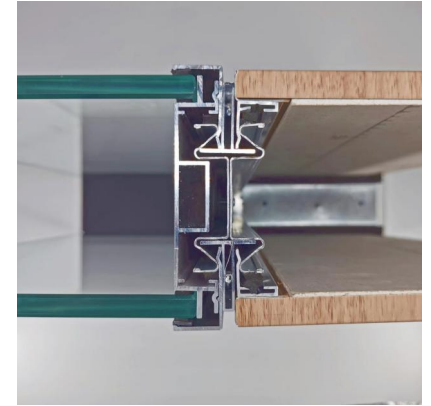


## LC WP

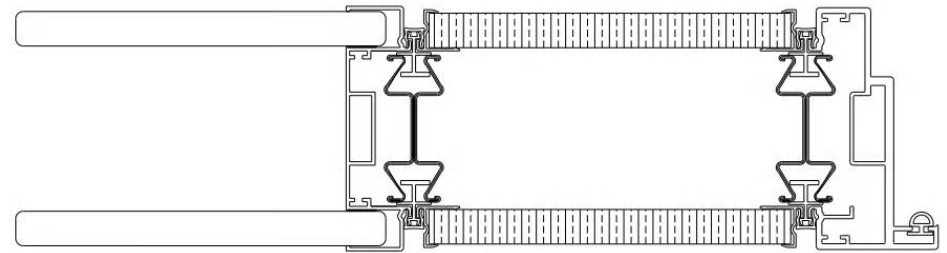
Wall Protection  
Steel Panel  
Partition System  
LC WP83  
LC WP100  
LC WP108



OFFICE  
Glass Partition



- Product Material : Extrusion molding with A00 aluminum
- Construction : Aluminium sytem with Steel Keel
- Wall Specification : Wall thickness 83/100/108mm
- Finish Processing : Electrostatic powder spraying
- Partition Type : Full height & panoramic type
- Aluminium Spec : GB6063,Max thickness 3.0mm
- Color : Black,silver,white,grey





## LC WP SERIES STEEL PANLE PARTITION SYSTEM



## PARTITION DOOR SERIES



Model: LC D501  
Fire-proof single leaf swing door

Door leaf material:  
High-density board  
Honeycomb molybdenum structure

Door leaf structure:  
Double-sided high-density board  
Internal honeycomb aluminum

Door frame and door leaf frame:  
High-strength and high-quality titanium  
aluminum alloy

Door leaf wooden boards:  
Substrate and various decorative panels,  
such as durable board, UV board, etc

Color:  
By color card



Model: LC D409  
Frame-invisible double swing door

Door leaf material:  
Ultra clear tempered glass 8-12mm

Door frame and door leaf frame:  
High-strength and high-quality titanium aluminum  
alloy

Accessory:  
Dorma / Kinlong

Color:  
By color card

Model: LC D308  
Single swing partition door

Door leaf material:  
Ultra clear tempered glass 8-12mm

Door frame and door leaf frame:  
High-strength and high-quality titanium aluminum  
alloy

Accessory:  
Dorma / Kinlong

Color:  
By color card



## PARTITION DOOR SERIES



Model:LC D309  
Single leaf swing door with inter louvre

Door leaf material:  
Ultra clear tempered glass 8-12mm

Door frame and door leaf frame:  
High-strength and high-quality titanium  
aluminum alloy

Accessory:  
Dorma / Kinlong

Color:  
By color card



Model:LC D410  
Fire-proof double leaf swing door

Door leaf structure:  
Double-sided high-density board  
Internal honeycomb aluminum

Door frame and door leaf frame:  
High-strength and high-quality titanium aluminum  
alloy

Door leaf wooden boards:  
Substrate and various decorative panels, such as  
durable board, UV board, etc

Model:LC D310  
Slim frame sliding door system

Door leaf material:  
Ultra clear tempered glass 8-12mm

Door frame and door leaf frame:  
High-strength and high-quality titanium  
aluminum alloy

Accessory:  
Dorma / Kinlong

Color:  
By color card

