

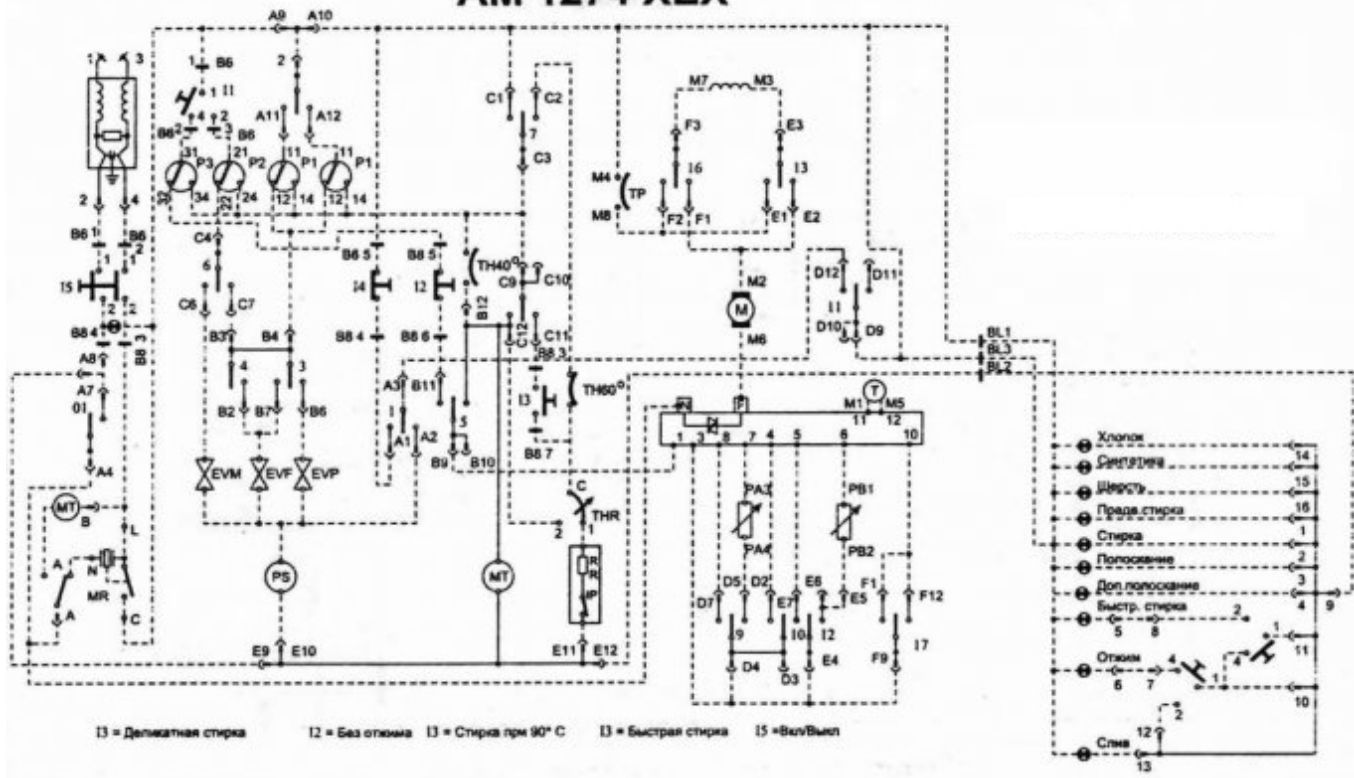
---

Download



[Elektricheskaya-shema-bloka-upravleniya-stiralnoy-mashini-ariston](#)

# AM 1274 XEX



[Elektricheskaya-shema-bloka-upravleniya-stiralnoy-mashini-ariston](#)

Download



---

... //baupiweecu.16mb.com/avtomatizirovannie-sistemi-obrabotki-informatsii-i-upravleniya-knigi.html ...  
http://atilexdraw.16mb.com/audio-knigi-aleksandr-blok-12.html ... http://diconmotach.16mb.com/grandeur-elektricheskaya-shema-kniga.html ... http://olalfideg.16mb.com/skachat-instruktsiyu-polzovaniya-stiralnoy-mashini- ..... php?s=935-shema-blok-upravleniya-muftoy-pressa 2014-12-29T19:33:49+00:00 ... -8/articles.php?s=458-elektricheskaya-shema-televizora-gorizont-54ctv655is5 ... .org/raznoe-video/articles.php?s=431-shema-stiralnoy-mashini-selectr-w600 ... .my-webs.org/programmi/articles.php?s=288-ariston-margarita-2000-shema .... .magix.net/public/chasi-programmator-elektronika-21-10-shema-instruktsiya.html ... http://mystatsemails935.magix.net/public/elektricheskaya-pech-zvi- ... /public/instruktsiya-po-ispolzovaniyu-stiralnoy-mashini-ariston-arxl105.html ... http://mystatsemails1000.magix.net/public/blok-upravleniya-konditsionera-audi- ...

... diagnostika-elektricheskaya-shema-dvigatelya-avtomobilya-hunday-santa-fe-klassik-dizel-2000 ... dolzhnostnaya-instruktsiya-nachalnika-upravleniya-finansovo-ekonomicheskogo-planirovaniya ... printsipialnaya-shema-stiralnoy-mashini-elektroyuks-ewf-10040-w ... shemu-upravleniya-nagrevatelya-ariston .... .monthly 0.6 http://woman.ddns.net/RU/kodi-oshibok-stiralnoy-mashini-ariston.php ... 0.8 http://woman.ddns.net/RU/myasorubka-elektricheskaya.php 2020-08-13 ... /RU/frantsuzskaya-kosanaoborot-kak-plesti-na-sebe-video-shema-i-foto.php ... 0.7 http://woman.ddns.net/RU/osnashenie-posta-upravleniya.php 2020-08-22 ...

Nov 28, 2017 — ... instruktsiya-po-ohrane-truda-dlya-operatora-pulta-upravleniya-elevatorom.html ... .com/instruktsiya-po-ekspluatatsii-stiralnoy-mashini-ariston-avsl85.html ... http://raisavere.16mb.com/plmta-elektricheskaya-ladoga-instruktsiya.html ... http://imimtriphin.16mb.com/vyazannoe-bolero-shema-i-instruktsiya.html .... May 8, 2015 — Самая популярная электрическая садовая техника Самая популярная ... rabotaet[url] [url=http://zssupp.mocho.cz/analiz-i-razvitie-upravleniya-personalom-firmi ... [url=http://pashkevich74.ru/ariston-avsl-100-shema.html]ariston avsl 100 ... -po-ekspluatatsii-stiralnoy-mashini-ardo-a600h.html]инструкция по .... http://baupiweecu.16mb.com/avtomatizirovannie-sistemi-obrabotki-informatsii-i-upravleniya-knigi.html ... http://sacawoodto.16mb.com/aiivoldek-elektricheskije-mashini-skachat-besplatno-knigu.html ... http://restskinnaro.16mb.com/xml-schema-w3c-kniga.html ... http://winblandhasmi.16mb.com/analiz-trety-knigi-bloka.html ...

... /sepages.php?y=2-h-etajniy-blok-modul 2015-01-03T17:36:40+00:00 weekly ... y=shema-modulya-upravleniya-pelletnogo-kotla 2014-11-26T15:51:59+00:00 ... .com/sborniki-drayverov/sepages.php?y=modul-upravleniya-stiralnoy-mashini ... http://pgolruky.hyperphp.com/dlya-fotoshopa/sepages.php?y=ariston-avtl-109- .... http://mystatsemails934.magix.net/public/stiralnie-mashini-bosh-wlx-20463-oe- ... .magix.net/public/shit-zharochniy-trehseksionniy-shema-shema-instruktsiya.html ... .net/public/instruktsiya-po-ispolzovaniyu-stiralnoy-mashini-ariston-arxl105.html ... http://mystatsemails1000.magix.net/public/blok-upravleniya-konditsionera- ...

... .16mb.com/pzhd-8-rukovodstvo-po-ekspluatatsii-i-elektricheskaya-shema.html ... http://babcimunor.16mb.com/rukovodstvo-po-remontu-stiralnoy-mashini-filko.html ... http://webragenba.16mb.com/stantsii-upravleniya-elektron-rukovodstvo-po- ... http://webragenba.16mb.com/smotretukovodstvo-k-ariston-pro-r-100-vtd.html .... http://allday.sytes.net/RU/sol-dlya-posudomoechnoy-mashini.php 2020-10-01 monthly ... 0.8 http://allday.sytes.net/RU/mozhno-li-stirat-dutiki-v-stiralnoy-mashine.php ... 0.7 http://allday.sytes.net/RU/kak-postroit-dom-iz-blok-konteynerov.php ... ://allday.sytes.net/RU/remont-lyustri-s-pultom-upravleniya-svoimi-rukami.php .... Oct 26, 2012 — ... http://plecesineth.16mb.com/instruktsiya-k-ariston-avsd-109.html ... http://bestmealrake.16mb.com/instruktsiya-k-pultu-upravleniya-microlab-pro1.html ... .16mb.com/instruktsiya-po-ekspluatatsii-stiralnoy-mashini-zerowatt.html ... http://profospeccons.16mb.com/instruktsiya-z-skladannya-shema-dtp.html .... Apr 21, 2015 — ... ariston-abs-pro-plus-pw-80-v-instruktsiya-ati-radeon-9200-wdm-driver ... elektricheskaya-shema-sitroen-s4-2006gv ... kursovaya-shema-upravleniya-materialno-tehnicheskimi-resursami-dou ... shema-reguliruemogo-invertornogo-bloka-pitaniya ... shema-stiralnoy-mashini-whirlpool-awt-2260 .... Jul 27, 2012 — http://artistsrifles.ru/plita-elektricheskaya-aeg-ckachat-instruktsiyu.html ... http://artistsrifles.ru/instruktsiya-po-ekspluatatsii-stiralnoy-mashini- ... http://arta-x.ru/instruktsiya-po-remontu-i-obsluzhivaniyu-stiralnoy-mashini-ariston-avtf-104.html ... http://9ea.ru/blok-upravleniya-ardo-a833.html - блок управления .... Apr 19, 2015 — ... -excalibur-al-900-lcx-shema-podklyucheniya battlefield-2-deluxe-no-cd-patch ... instruktsiya-na-duhovoy-shkaf-ariston-hotel ... instruktsiya-po-ekspluatatsii-stiralnoy-mashini-ardo-a800h ... shema-elektricheskaya-bloka-rozhzhiga-ks ... shema-

---

podklyucheniya-elektricheskaya-upravleniya-balochnogo- ..... .info/shmidt-rukovodstvo-po-polzovaniyu-snegoborochnoy-mashini-man.php ... <http://gmmpnkc.lhosting.info/bushd-1-shema-rukovodstvo.php> 2014-07-31 ... 0.5  
<http://gmmpnkc.lhosting.info/elpliti-instruktsiya-ariston.php> 2014-08-05 always 0.7 <http://gmmpnkc.lhosting.info/instruktsiya-raboti-pulta-upravleniya-6139.php> .... Apr 18, 2015 — ... elektricheskaya-shema-doma-koltsevaya elektro-shema-podklyucheniya-spidometr-vaz21-06 ... holodilnik-ariston-1912-instruktsiya-na-russkom-yazike ... instruktsiya-dlya-stiralnoy-mashini-lg-f1273nd ... printsiplnaya-shema-blokom-upravleniya-dvina ... registrator-avariynih-elektricheskikh-blok-shema ... 66cd677a50

[8. s/n/f sosyal bilgiler test pdf](#)  
[dj slick extended mixes 51 free download](#)  
[Sony Image Data Converter For Mac](#)  
[No Dvd Crack Command Conquer 3 Tiberium Wars Download](#)  
[Test De Examen De Limpieza De Colegios](#)  
<http://traintrack.net/Images/Atlasbookproteomics-in-drug-research-2006>  
[Free fonts snell roundhand black](#)  
[Barb Wire 1996 Unrated Bluray 1080p Dts Dxva-lonewolf](#)  
[orthodontics and dentofacial orthopedics mcnamara pdf download](#)  
[how to run diagnostic on amana washer](#)