

Evolution

EVOLUTION
Optical coin counter



Farebox System

TAG CANADA
MANUFACTURER
FAREBOX SYSTEM





Evolution farebox





Features: Evolution farebox with optical coin counter

- Farebox with high volume capacity.
- Money validation window over 180 °.
- Insertion of paper bills and coins by two separate entries.
- Optical coin counter working without any mechanical parts.
- Visual validation of the paper by window.
- A Keyboard with a TFT screen is connected to the farebox to enter the paper bills that have been deposited. It is displayed to the driver. The perceived coins are also displayed on it.
- A LCD screen to indicate the amounts to the passengers.
- Storage of totals accumulated on each day using a built-in calendar and clock so you can print them on a report.
- The recorded data are transferred by RF wave.
- Recipe management software for outputting optional reports
- Emptying the farebox with a removable transfer cartridge into a safe deposit.
- The cashbox has a chip to transfer the data saved from the farebox. It automatically picks up the vehicle ID when inserted into the farebox. Allowing interchangeability
- Highly safe and easy to maintain
- Robust construction.
- Electricity and compressed air supply: 12V or 24V and minimum 85 PSI.



Specs sheet: Evolution farebox with optical coin counter

Operations Fare Acceptance:

- CAD coins 5¢-10¢-25¢-1\$-2\$
- CAD Bills 5\$-10\$-20\$
- USD coins Optional programming
- Cashbox contents Mixed bills and coins

Coin Validator:

- Coin validation rate up to 8 coins per sec

Bill acceptance:

- Bill validation visual validation and insert button amount on driver screen

Electrical Power:

- Standard 12 to 24 Volts DC
- Operating Range 9 to 36 Volts DC
- Power Consumption 0.6 Amp idle - 0.8 Amp peak

Pneumatic Power:

- Operating Pressure 85 PSI
- Operating Range 85 to 120 PSI
- Air Consumption 0.4 CFM idle - 3.15 CFM peak (opening drop)

Mechanical Construction:

- Base, Case and Head Aluminium 6061-T6, Textured black powder paint & black anodizing.
- All windows Polycarbonate
- Cashbox 14 ga inox 304 #B, Aluminium and Nitrudded Steel

Cashbox Capacity:

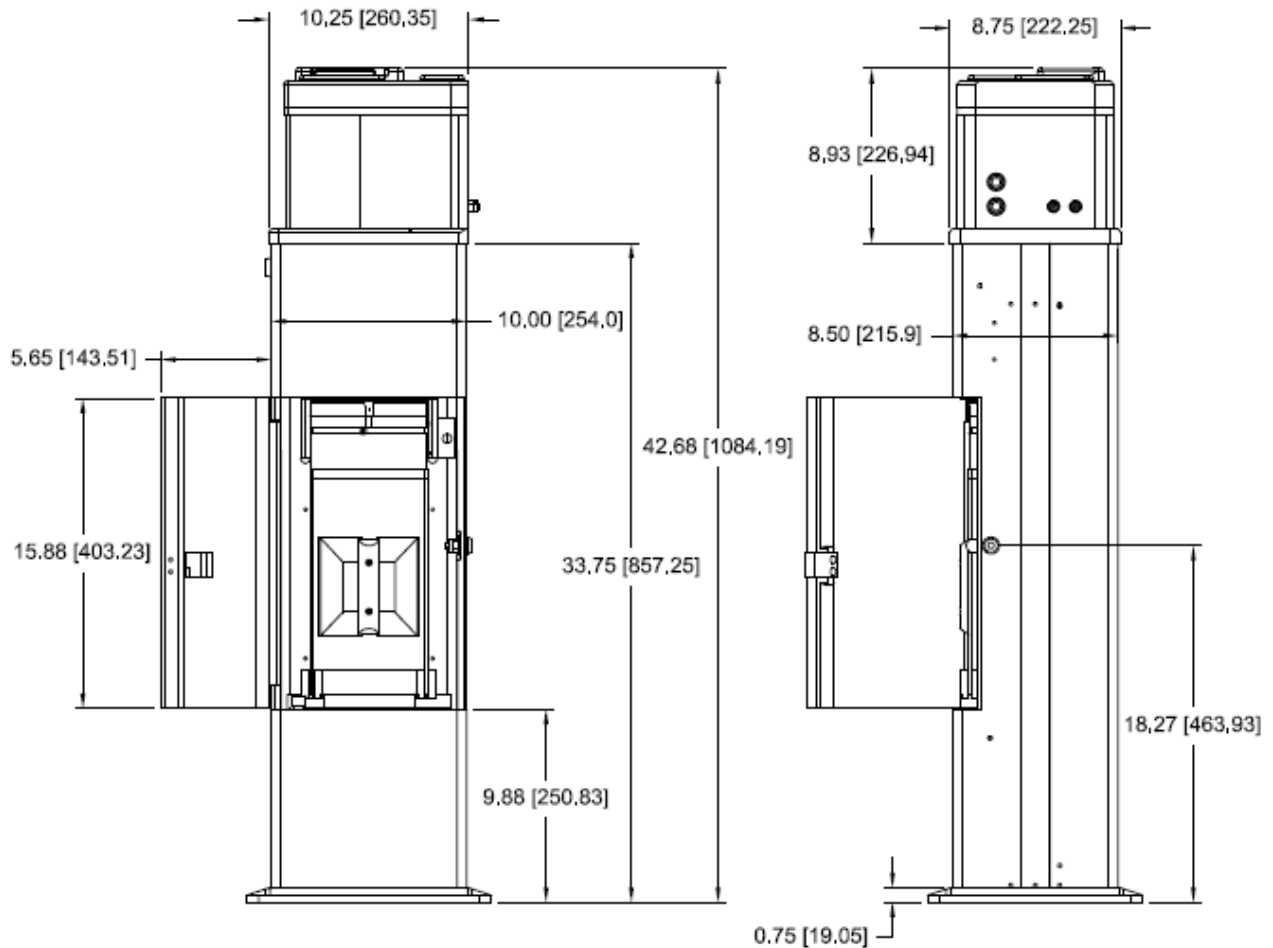
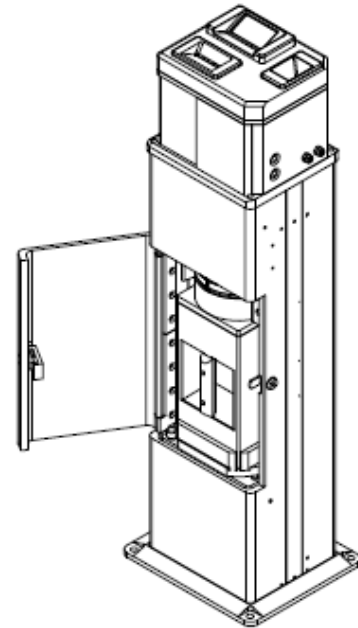
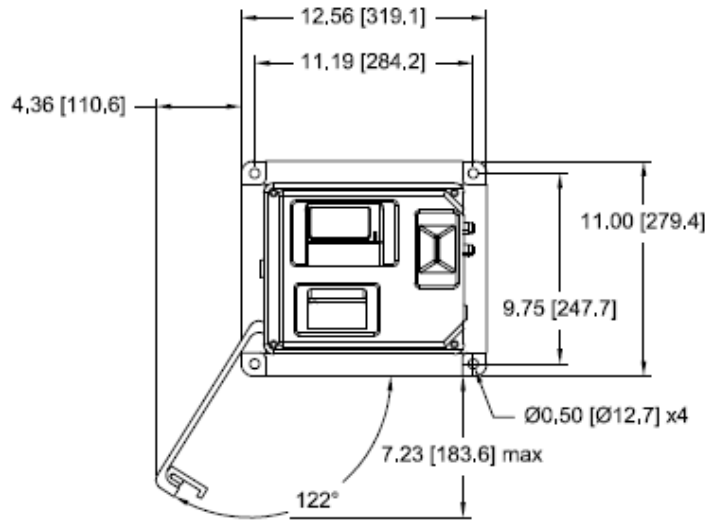
- Volumetric content 430 po³ (7046 cm³)
- Capacity mixed bills & coins 3000\$
- Empty weight 14 lbs (6.35 kg)

Environment:

- Storage Temperature -22°F to 176°F (-30°C to +80°C)
- Operating Temperature -4°F to 140°F (-20°C to 60°C)

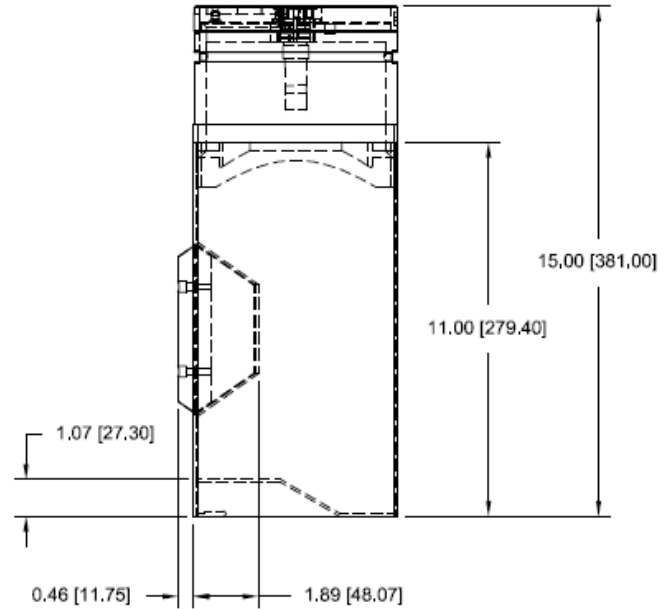
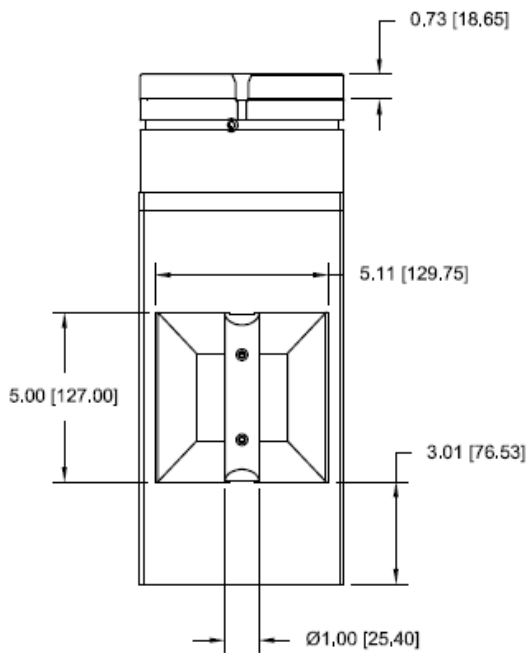
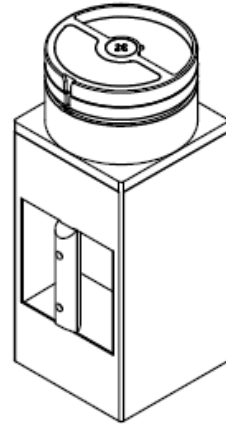
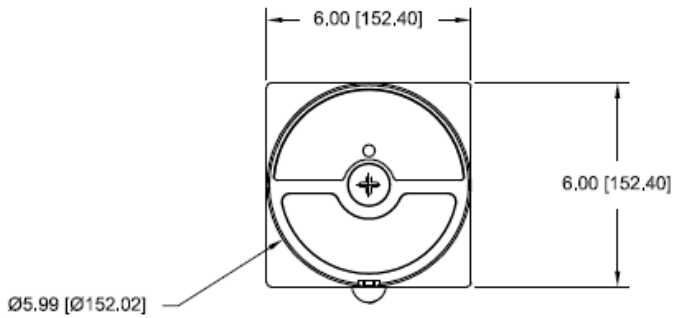


Dimensions Evolution Farebox:



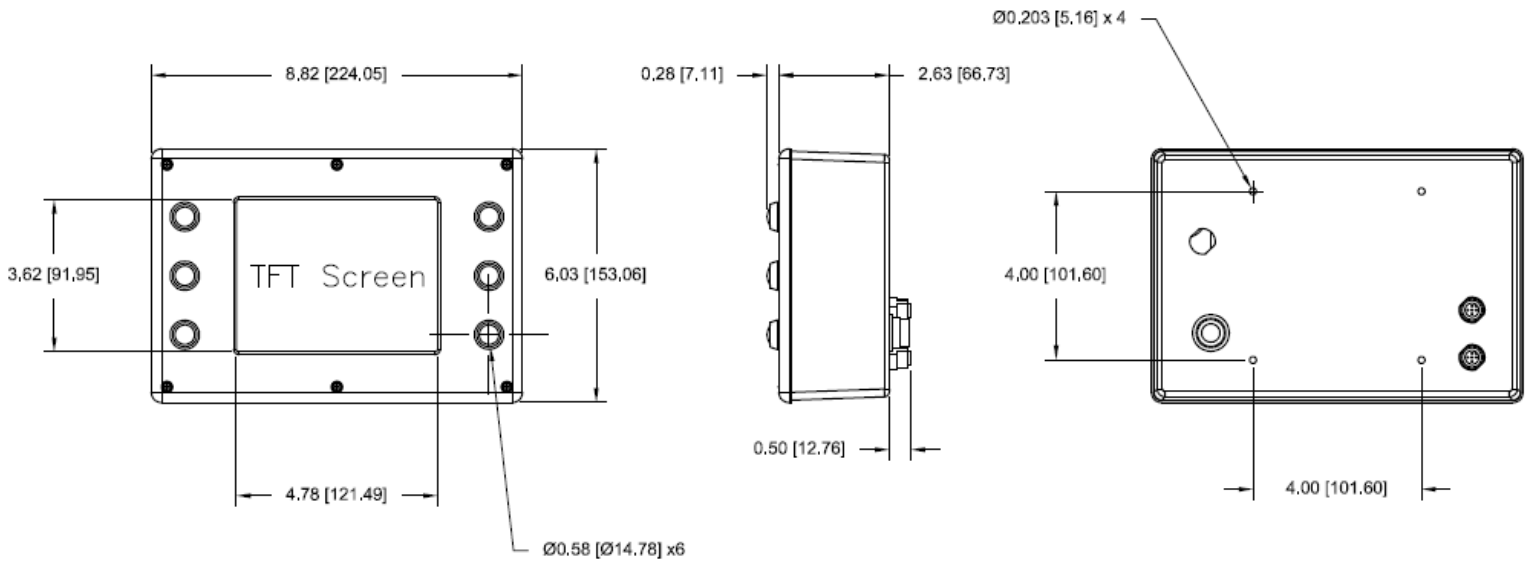
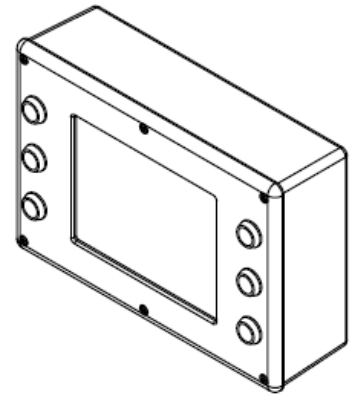
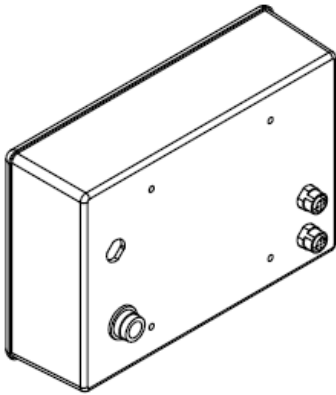


Dimensions Evolution cashbox:





Dimensions Evolution TFT driver screen:





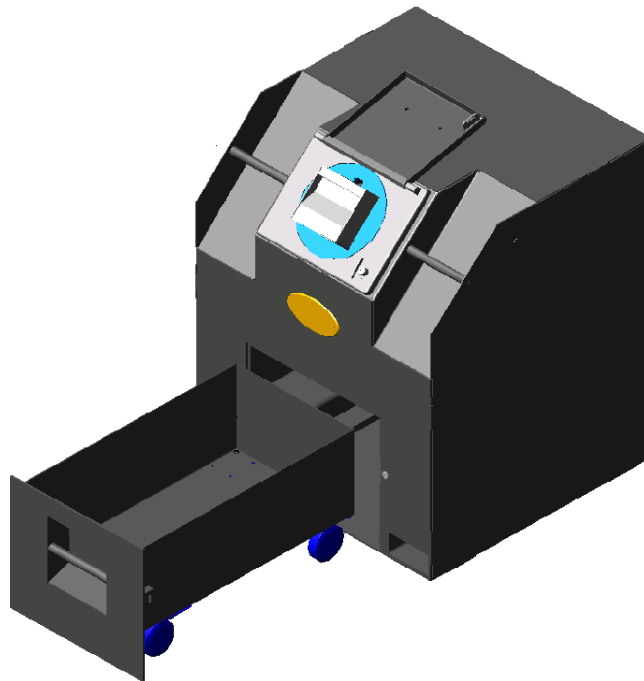
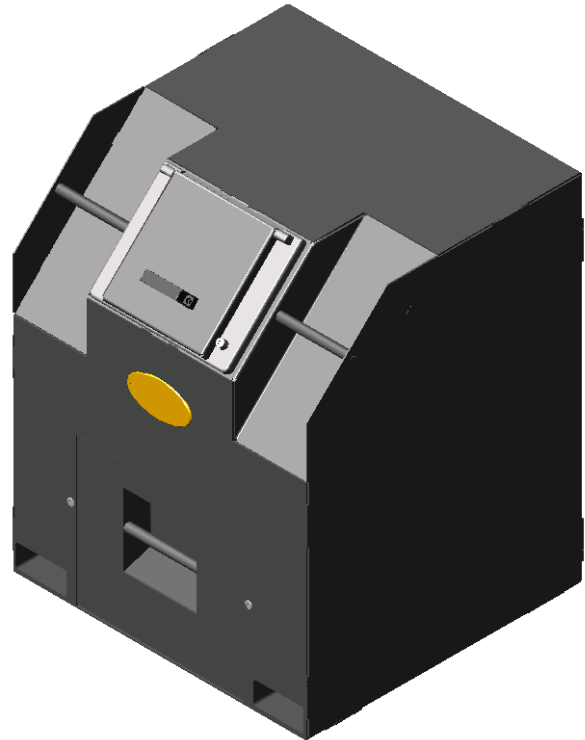


MANUFACTURER
FAREBOX SYSTEM

Safe deposit box Model: Evolution farebox

Specifications:

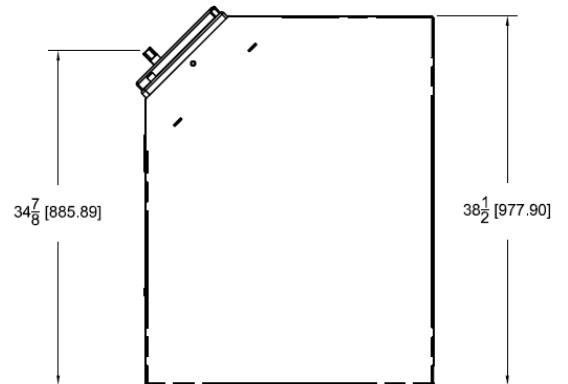
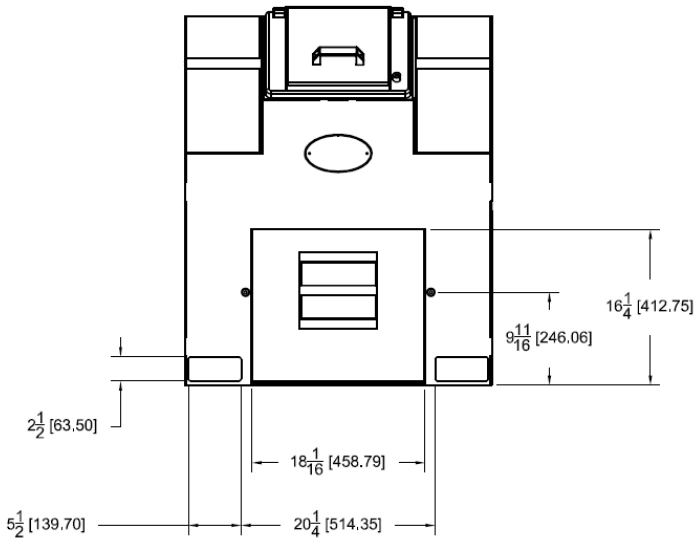
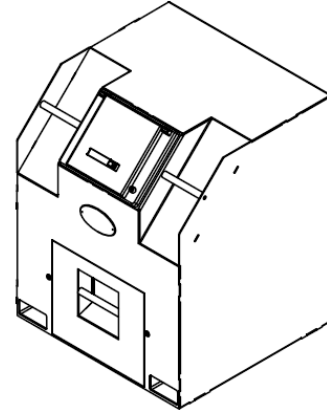
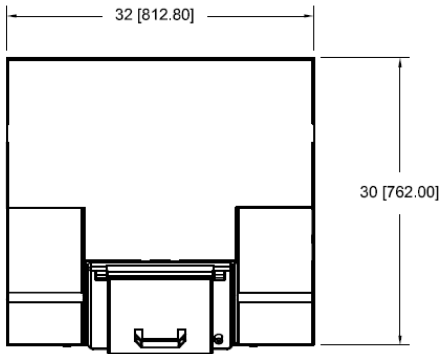
- Robust steel construction
- Covered with black powder paint with textured finish
- 3 High security locks (Abloy)
- Low maintenance cost
- Completely autonomous structure
- Simple mechanical operations
- Removable drawer on 4 wheels, 2 fixed and 2 rotating that lock.
- Volumetric capacity of the drawer: 4720 po³ (77345 cm³).
- Power requirements: 120 Volts at 5 Amperes.(for electronic farebox)
- Pneumatic gun for dislodging paper.
- Pneumatic power requirement: 85 psi min (5.86 Bar min).





MANUFACTURER
FAREBOX SYSTEM

Safe deposit box dimensions Model: Evolution farebox





MANUFACTURER
FAREBOX SYSTEM

Drawer Dimensions Model: Evolution farebox

