



# Installation Manual for Maysun Solar Shingled PV modules



For the latest version visit [www.maysunsolar.com](http://www.maysunsolar.com)

Version: 2023 - 12



# Table of Content

<b>1. Scope.....</b>	<b>- 3 -</b>
<b>2. The introduction of installation manual.....</b>	<b>- 3 -</b>
2.1 Overview.....	- 3 -
2.2 Applicable products.....	- 3 -
<b>3. Product information.....</b>	<b>- 4 -</b>
3.1 Structure and module description.....	- 4 -
3.2 Module tag information.....	- 4 -
3.3 Module electrical performance parameters.....	- 4 -
<b>4. Installation.....</b>	<b>- 4 -</b>
4.1 General safety.....	- 4 -
4.2 Electrical properties safety.....	- 5 -
4.3 Handling safety.....	- 5 -
4.4 Installation safety.....	- 6 -
<b>5. Installation condition.....</b>	<b>- 7 -</b>
5.1 Working environment.....	- 7 -
5.2 Installation position.....	- 7 -
5.3 Tilt angle selection.....	- 8 -
<b>6. Mechanical installation.....</b>	<b>- 8 -</b>
6.1 Conventional requirement.....	- 8 -
6.2 Three kinds of Mounting.....	- 9 -
6.3 Installation methods.....	- 10 -
<b>7. Electrical installation.....</b>	<b>- 14 -</b>
7.1 Electrical property.....	- 14 -
7.2 Cables and wiring.....	- 14 -
7.3 Connectors.....	- 15 -
7.4 Bypass diodes.....	- 15 -
7.5 Grounding.....	- 15 -
<b>8. Maintenance and care.....</b>	<b>- 16 -</b>
8.1 Cleaning.....	- 16 -
8.2 Visual inspection.....	- 17 -
8.3 Inspection of connector and cable.....	- 17 -
<b>9. Disclaimer of liability.....</b>	<b>- 17 -</b>



## 1. Scope

This installation manual specifies the installation and maintenance requirements for crystalline silicon PV modules (hereinafter referred to as "shingled modules") manufactured by Maysun Solar Corporation (hereinafter referred to as "Maysun").

This installation manual is intended for the installation and maintenance of shingled modules (hereinafter referred to as "shingled modules"), and helps customers to correctly install the photovoltaic power generation system, so that the design system can realize its potential. This installation manual does not apply to the installation of the Maysun double glass modules and conventional modules.

## 2. The introduction of installation manual

### 2.1 Overview

Thanks for choosing the crystalline silicon PV shingled module of Maysun Solar. This manual contains important electrical and mechanical installation information. For correct installation and stable power output, please install and maintain the modules carefully. Read and understand all installation instructions in the manual, and keep this manual in a safe place for future reference (care and maintenance) and in case of sale or disposal of the modules.

This manual does not constitute a warranty, expressed or implied. Maysun does not assume responsibility and expressly disclaims liability for loss, damage, or expense arising out of or in anyway connected with installation, operation, use or maintenance of modules.

The PV modules should be installed in accordance with all safety precautions and local laws and regulations of this manual and should be installed and serviced by qualified personnel with knowledge of the mechanical and electrical requirements of the system.

The mechanical and electrical installation of the PV modules shall be made in accordance with applicable laws and regulations, including electrical, construction and electrical connection requirements. These regulations vary depending on the installation site, such as building roofs, surface mounts, in-vehicle applications, and soon. The requirements may vary depending on the installation system voltage, the use of DC or AC. Please refer to the relevant local laws and regulations.

Any questions, please contact with the salesman or customer service personnel of Maysun Solar for further explanations.

### 2.2 Applicable products

This manual is intended for use with the following shingled modules:

#### **PV Modules with Segmented 6" PERC Mono-crystalline Silicon Solar Cells:**

340 cells: THxxxPM5-60SB, xxx=390-410, in increment of 5

408 cells: THxxxPM5-72SB, xxx=470-490, in increment of 5

Module dimensions and electrical performance data are details in the corresponding technical specifications.

### 3. Product information

#### 3.1 Structure and module description

1、Frame	2、Glass	3、EVA	4、Solar Cell
5、Backsheet	6、Adhesive	7、Junction box	8、Cable
9、Connector	10、Label	11、Ground hole	
12、Mounting hole	13、Drainage hole		

Figure 1 Section structure and module description

#### 3.2 Module tag information

Each PV module is affixed with two kinds of labels, providing the following information:

- a) Label: Describes the product name, PV module model, nominal power, rated voltage, rated current, open circuit voltage, short circuit current, maximum system voltage, PV module size and weight under standard test conditions.
- b) Series number: Each module has a unique bar code number, each bar code number has 20 letters and numbers. The bar code is permanently encapsulated inside the module, as can be seen clearly from the top right corner of the module. The bar code number allows you to trace information about the module production process.

#### 3.3 Module electrical performance parameters

The electrical performance parameters of the module were measured under standard test conditions (irradiance of 1000W/m<sup>2</sup>, AM1.5 spectra, ambient temperature of 25°C) with a test uncertainty of ±3%. The maximum system module voltage is 1500V. Refer to the following table for electrical performance parameters.

### 4. Installation

#### 4.1 General safety

Maysun Solar's modules have been evaluated by according to IEC61215 and IEC61730, application class A, modules rated for use in this application class maybe used in system operating at greater than 50VDC or 240W. The safety class of the module is Class II, the class of fire rating is Class C (According to the standard is UL790), and the maximum series fuse is 20A.

4.1.1 The installer should abide by the relevant local laws and regulations when installing the module. It need to obtain the required certificates in advance when necessary, such as the building permit.

4.1.2 Installing solar photovoltaic systems require specialized skills and knowledge. Installation should be performed only by qualified person. Installers should assume the risk of all injuries that might occur during installation, such as electric shock.

4.1.3 Photovoltaic modules are designed for outdoor use. Modules may be mounted on ground, roof tops, vehicles or boats. Proper design of support structures is the responsibility of the system designers or installers. When modules are mounted on rooftops, fire-protection rating of the final structure should be considered, and also the later maintenance. The rooftops and support structure for PV system should only

Be certified by architectural experts or engineer, which have a formal complete structure analysis results. The maximum altitude the PV module is designed for ≤2000m.

4.1.4 For your safety, do not install the modules without safety precautions.

4.1.5 For your safety, do not install or handle the modules under wet or adverse environment, including but not limited to strong wind, gusty wind, frosted roof surfaces, wet environment.



## **4.2 Electrical properties safety**

4.2.1 When a module is exposed to sunlight or other light sources, a direct current is present inside the module, and electrical contact with the module may result in an electrical shock hazard.

4.2.2 In order to avoid arc and electric shock, please do not disconnect electrical connections under load. Keep all electrical connectors dry and clean, and ensure that they are in proper working condition. Do not insert other metal objects into the connector, or in any other way.

4.2.3 Do not apply paint or adhesive to module surface. Do not wipe modules with corrosive chemicals.

4.2.4 Do not use mirrors or other magnifiers to focus sunlight on the modules. Do not expose the backside of modules directly to sunlight for a long time.

4.2.5 Do not change the configuration of the bypass diodes. Do not disassemble the modules.

4.2.6 Do not contact with module surface when the module is wet unless to clean the modules, please following requirements mentioned in this manual when cleaning.

## **4.3 Handling safety**

4.3.1 Do not open the box until it reaches the installation location. Keep the package in a dry and dry place.

4.3.2 PV modules Unpacking Please refer to Unpacking manual of standard package of Maysun Solar photovoltaic modules. During all handling procedures, make sure that the modules are not subject to large vibrations, that the modules fall to the floor or that objects fall on the module, as this will Damage to the modules or solar cell. Special care must be taken not to bump, scrape, or press against the back of the module. Keep children and unauthorized person away from the modules while transporting or installing them. Improper transportation or placing may lead to glass breakage or power loss of the modules, resulting in the loss of the use value of modules.

4.3.3 Handle modules with care, lift and put down modules gently. It is forbidden to carry or lift the modules by grabbing the junction box or cables. Two or more people must hold the module with both hands.

4.3.4 Do not step on, stand or sit on the module, which can damage the module and create a risk to people.

4.3.5 Do not place any heavy objects on the front or back of the module, and do not place the module on a sharp object surface.



#### **4.4 Installation safety**

4.4.1 Abide by the safety regulations for all other modules used in the PV system, including wiring and cables, connectors, controllers, inverters, storage batteries, etc., and use suitable equipment, connectors, wiring and mounting system for a PV system. If the PV system is used in storage batteries, the configuration with the modules should follow the advice of the storage batteries manufacturer. The same size, the same specifications of the model can be connected in series.

4.4.2 Do not install or handle the modules when they are wet or during strong wind. Keep the junction box's cover closed.

4.4.3 Modules of the glass with the role of protection modules, unreasonable operation will cause glass broken. Damaged modules have the risk of electric shock and fire, such modules can not be repaired or repaired, should be replaced immediately.

4.4.4 When exposed to direct sunlight, one individual solar module may generate DC voltages greater than 30 volts. It is extremely dangerous to contact it.

4.4.5 To reduce the risk of electric shock or burning, you can install modules with opaque material on the surface of the module. The mounting of the array of modules must be carried out with an isolating solar installation. Do not wear metal rings, watches, earrings and other metal accessories when installing or servicing PV systems. Do not touch the electrical parts of the module directly by hand. Use an insulating tool to make electrical connections and keep the tool dry.

4.4.6 The triangle hole punched on the backside frame of the module is the drainage hole that can not be blocked.

4.4.7 The maximum system voltage indicated in the rating label is 1500 V. During the system Installation, the maximum open circuit voltage in series cannot exceed the maximum system voltage.

4.4.8 During modules inter connection, ensure to fix the connecting cables to the supporting bracket, so as to restrict the swing amplitude of the slack part of the cables.

4.4.9 Abide by the allowable minimum bending radius of the cables (suggest no less than 43mm).

4.4.10 Always protect the cable with conduit where animals or children can touch it.

4.4.11 Please use the connector which is specially designed for photovoltaic system, and assemble it with the tools recommended or specified by the manufacturer. In case that the connector applicable to the solar photovoltaic system is required, please contact the local supplier. Ban different connectors to plug each other.

4.4.12 Make sure that the polarity is correct when connecting the module with inverter, storage battery or combiner box to avoid the damage of bypass diodes in the modules due to incorrect polarity.

4.4.13 Do not drill holes in the frame, this may reduce the mechanical load ability and cause corrosion of the frame.

4.4.14 Do not scratch the anodized coating of the frame(except for grounding connection), this may cause corrosion of the frame or reduce the mechanical load ability.

4.4.15 Modules can't be used to replace the roof and wall materials, partial replacement is not allowed.

4.4.16 Any part (including nameplate) of modules supplied by Maysun Solar can't be dismantled without permission.



## 5. Installation condition

### 5.1 Working environment

Maysun Solar's PV module should operate in the following environmental conditions:

5.1.1 Ambient temperature: -20°C to +45°C

5.1.2 Operating temperature of the module: -40°C to +85°C

5.1.3 Humidity: 85%RH

5.1.4 Mechanical load bearing capacity: the modules have passed the mechanical load test of wind pressure of 2400Pa and snow pressure of 5400Pa; at the same time, they have passed the mechanical load test of wind pressure of 3600Pa and snow pressure of 3600Pa. (Only limited to the PV module models mentioned in this manual).

Note: The module mechanical load is based on the installation method and installation site, in the calculation of mechanical load by the professional installer according to the system design requirements to calculate.

### 5.2 Installation position

5.2.1 In most applications, PV modules should be installed in a location where they will receive maximum sunlight throughout the year. In the northern hemisphere, modules should typically face south, and in the southern hemisphere, modules should typically face north.

5.2.2 The module shall be installed in the place where the sunshine is adequate. The module surface shall not be partly shaded by trees, building, clothes, tools, packaging materials, etc. Because these objects will form shadow in the module surface leading to loss of system output power.

5.2.3 The module shall be installed in a well-ventilated place; meanwhile, enough space for airiness shall be sated at the back and sides of the module, so that the heat generated during operation can be radiated in time.

5.2.4 Modules can not be used in other excessive and harsh environments, such as hail, snow, sand, smoke, air pollution, soot, flammable gases, near open flames, and highly corrosive substances (salt, salts, saltwater, acid rain). As this will affect the module's safety and performance. If the installation environment is special, such as the seaside, farm, high humidity or wind and other large environment, please consult your local dealer for professional support and confirmation. If you need to be installed at a high altitude, the altitude should not exceed 2000m.

5.2.5 Modules should be installed in suitable buildings or other suitable places to install modules (such as the ground, garage, building facades, roof).

5.2.6 If modules are installed in locations with frequent lightning activity, the modules must be protected against lightning strikes.

5.2.7 Do not install the modules in this location with water immersion or near the sprinkler.

5.2.8 The pressure of the wind or snow after installation of the modules must not exceed the maximum allowable load.

### 5.3 Tilt angle selection

5.3.1 The tilt angle of the modules is measured between the surface of the modules and a horizontal ground surface, the modules generate maximum power output when it faces the sun directly, as shown in figure2.

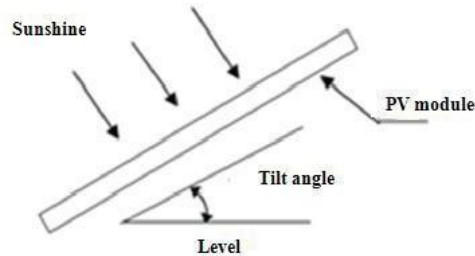


Figure2 Module tilt angle

5.3.2 Modules each element in series with the same array must be oriented in the same direction and angle. Different installation directions and angles will cause the modules to absorb the total solar radiation difference, causing the loss of output power, thus reducing the operating efficiency of the system.

5.3.3 The maximum power is generated when the sun is directed to the module, select the best installation angle should be considered when the winter module power output. But external or otherwise artificially concentrated sunlight shall not be directed onto the front or back face of the PV module.

5.3.4 In order to facilitate the cleaning modules and modules in the rain when the surface dust is easily washed away by rain. For detailed installation angles, follow the advice given by the experienced PV module installer.

Note:

1. It is suggested that PV panels be mounted at a tilt angle greater than 10 degrees.
2. It is not suggested to install the PV panels upright. If upright mounting is required, no less than 2 additional reinforcements are required on the back side.

## 6. Mechanical installation

All of the installation methods described here are for reference only. Maysun Solar is not responsible for providing the relevant installation parts and module installation services.

### 6.1 Conventional requirement

6.1.1 Ensure that the installed modules and supporting rail of modules are strong enough, the entire PV system consisting of modules must be able to withstand anticipated mechanical pressure. The installer must provide the guarantee. The installation supporting rail must be tested by the third-party organization with the analysis ability of Static Mechanical according to the local national or international standards.

6.1.2 The supporting rail must be made of environmental corrosion, anti-rust and UV-resistant materials.

6.1.3 Modules must be securely fastened to the supporting rail.

6.1.4 Drilling holes on the surface of module glass or drilling additional mounting holes on module frames may void the warranty.

6.1.5 Forces generated during thermal expansion and contraction of the supporting rail may influence the performance and use of the module, so make ensure that the minimum distance between two neighbouring frames is 10mm, but in order to ensure good ventilation. Suggest this distance between two neighbouring frames is 30mm.



6.1.6 In areas with large snow cover in winter, select a higher mounting bracket so that the lowest point of the module will not be covered by snow for long periods of time. In addition, the lowest point of the module is high enough to prevent the module from being obstructed by vegetation or trees.

6.1.7 The bearing surface of the supporting system must be smooth without any twist or deformation, and all of them shall be at the same height without dislocation.

6.1.8 The module mounting method does not result in electrochemical corrosion between the aluminium frame of the module and the different metals.

## 6.2 Three kinds of Mounting

### 6.2.1 Roof mounting

6.2.1.1 It is necessary to provide a special supporting rail for the roof mounting. When installing a module on a roof or building, ensure that it is securely fastened and can not fall or be damaged as a result of strong winds or heavy snow. During roof mounting, check the building codes being used to ensure that the building and its structure where the module is installed have adequate bearing and sealing capacity. The roof when penetrated during module installation shall be properly sealed to avoid rainwater leakage.

6.2.1.2 To be suitable for operation, reduce steam condensation and facilitate the ventilation & heat dissipation of the module during tile installation, the module shall be parallel to the wall or roof surface of the building, and the distance between module and surface of the wall or roof shall be at least 50mm to prevent wiring damage and to allow air circulation, ventilation and heat dissipation behind the module. For stacking type installation, the module shall be installed on the fire-resistant roof. The Fire Resistance Rated Class of the modules is Class C, and the modules are suitable for mounting on an above Class A roof. Do not install modules on a roof or building during strong wind.

6.2.1.3 For the roof system installed in the area with relatively heavy snow fall or snow cover in the meteorological records, the installer shall reinforce the supporting system at the lower frame of the module, in order to prevent the lower frame from being pressed and damaged by the falling snow or freezing of the melted snow. Maysun Solar suggests selecting the support reinforcing mechanism shown in figure3.

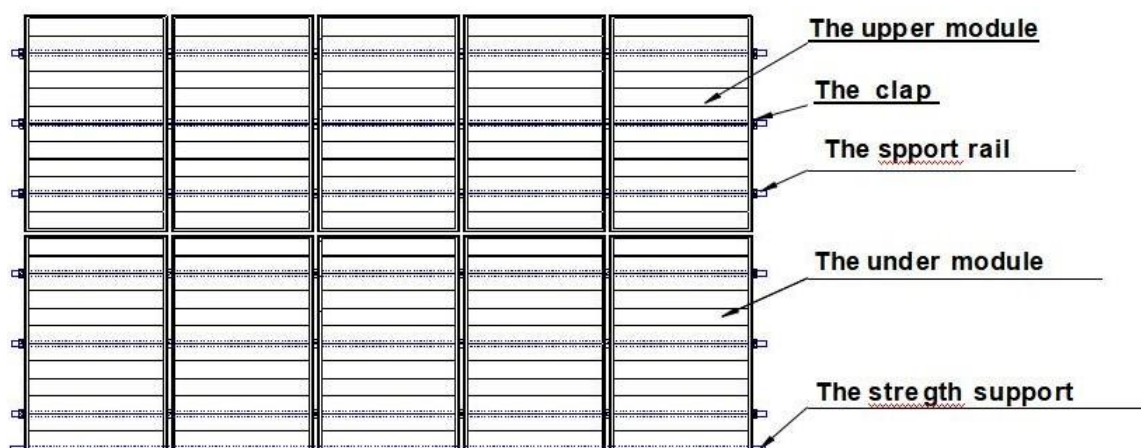


Figure 3 Schematic diagram of reinforcement mounting of module

### 6.2.2 Pole mounting

When installing a module on a pole, choose a pole and supporting rail that will withstand the anticipated wind power of the local area. The pole must be constructed on a solid foundation.

### 6.2.3 Ground mounting

Select the height of the mounting system to prevent the lowest edge of the module from being covered by snow for a long time in winter in areas with heavy snowfalls. The module shall be installed on the supporting rail with the appropriate height instead of being directly laid on the ground. In addition, the lowest portion of the module shall be high enough ( $\geq 900$  mm) from the ground, so that it is not shaded by plants and trees, damaged by sand and stone driven by wind, or not shaded by the mud splashed by rainwater.

## 6.3 Installation methods

### 6.3.1 General rules

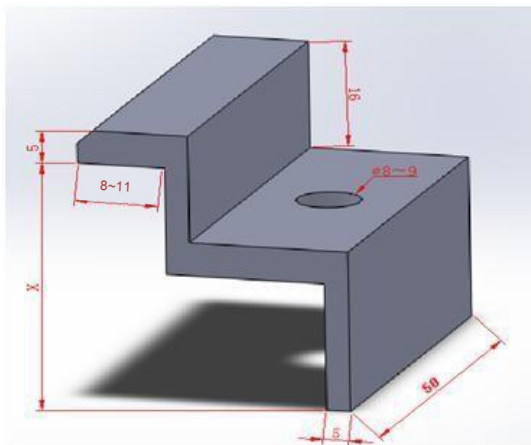
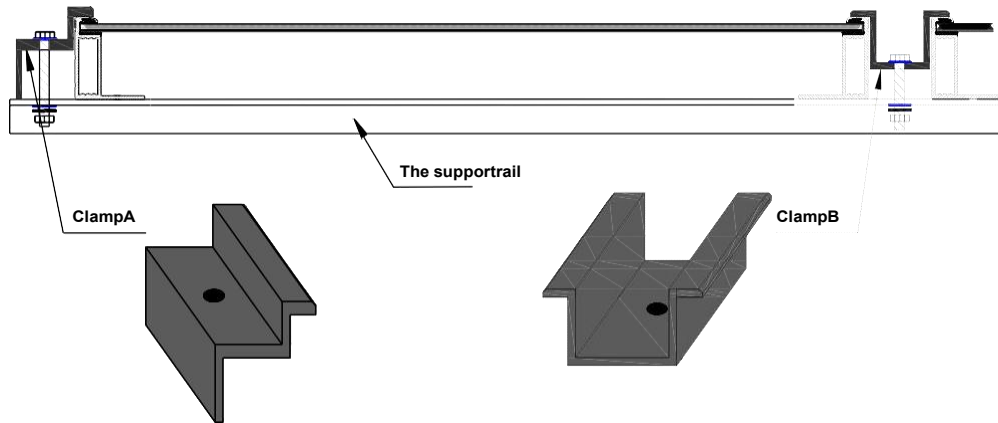
- a) Modules can be fastened on the supporting system using screw bolts or clamps. Modules must be installed according to the following methods or instructions. If not the warranty may be void.
- b) Maysun modules have reached the IEC standard on the mechanical load requirements. When mounting, fasten the screws through the 4 or 6 symmetrical mounting holes on the inside of the aluminium bezel or use the pressure clamp to secure the module to the supporting rail, Maysun module can withstand the wind pressure of 2400Pa and the snow pressure of 5400Pa (Only the module models covered in this manual are available), it is recommended that the system designer or installer perform the load calculations.
- c) The supporting rail and other materials required (such as screw) shall be made of durable, resistance to environmental corrosion, anti-rust and UV-resistant materials.

### 6.3.2 Fixture installation

6.3.2.1 Use a certain number of clamps to fix the modules on the mounting bracket. Maysun recommends that the clamps be clamped on the long frame of the module. The area of the side of the module frame held by each fixed clamp is not less than 400mm<sup>2</sup> (clamp length:  $\geq 50$ mm, The width of the contact between the fixture and the A surface of the frame: 8~11mm).

6.3.2.2 When installing the fixing jig, do not touch the front glass, and do not scratch or deform the aluminum frame during installation. At the same time, the jig can not affect the normal operation of the module. Make sure that the drain hole and ground hole are not blocked during installation.

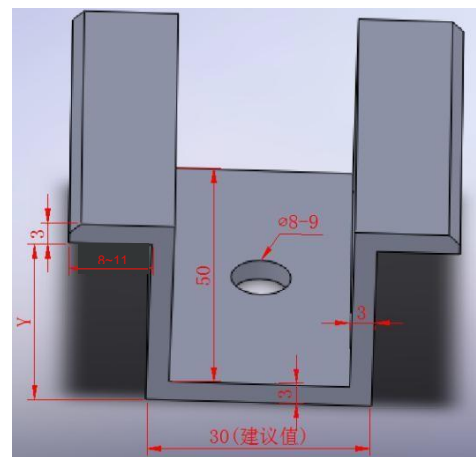
6.3.2.3 Each module needs to be fixed with at least four fixtures, and each long frame is equipped with at least two fixtures. According to the local application conditions (actual conditions of wind and snow), additional fixtures may be required to ensure modules and systems are subjected to corresponding loads. Fixtures with the following conditions are recommended (as shown in Figure 4) or approved by the module system installer.



Fixture A: Fixture for edge module

For the 35\*35 frame, the recommended value of X is 34mm

For the 40\*35 frame, the recommended value of X is 39mm



Fixture B: Fixture for inter mediate modules

For the 35\*35 frame, the recommended value of X is 25mm

For the 40\*35 frame, the recommended value of X is 30mm

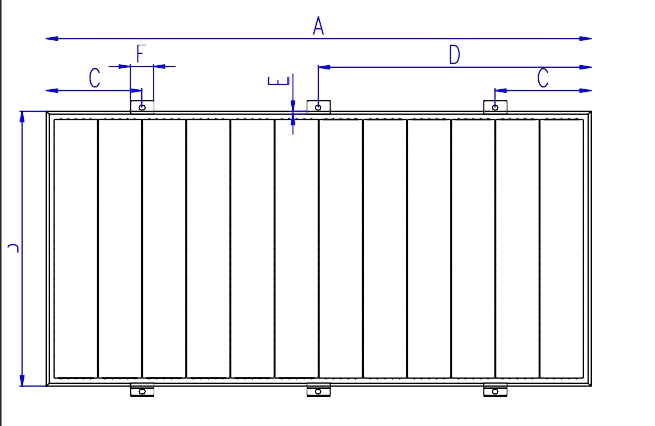
Figure 4 Assembly fixture installation method

6.3.2.4 When clamping the fixture to the frame of the module, use spring washers, flat washers and bolts to fix the module on the mounting frame. Note that both ends should be clamped in a symmetrical position in the center. M8 bolts and matching The screw is fixed, and the torque of the screw is 8N·m.

6.3.2.5 If there is large snowfall or snow pressure in the module installation area and large wind pressure, it is recommended that the customer adopt a 5400Pa reinforced installation solution to clamp the fixed module(as shown in Table 2 recommendations) to increase the front of the module Resistant to static snow pressure and dynamic wind pressure on the back, improving the system's pressure resistance.

The design load is positive 2400/negative2400 and positive 3600/negative1600, the safety factor is 1.5, so the test load is positive 3600/negative3600 and positive5400/negative2400.

Table2 The clamping range of the fixture

	<p><b>Note:</b></p> <p>A: Length of this type of module.</p> <p>B: Width of this type of module.</p> <p>C: The distance of clamp center1 from the edge of this type of module.</p> <p>D: The distance of clamp center 2 from the edge of this type of module.</p> <p>E: Clamped width of the module frame by the clamp of this type of module.</p> <p>F: Clamped length of the module frame by the clamp of this type of module.</p>
--	--

\* **Note:**Maysunlimitedwarrantywillbevoidincaseswhereimproperclampsorinstallationmethodsdeviatingfromthismanual are used. When using clamps to fasten the modules, pay attention to the following requirements:

- (a) Take care of the module frames, not to twist or deform them.
- (b) Avoid the clamps' shading influence the module.
- (c) Not to damage the surface of module frame.
- (d) Make sure that the module's drainage holes not be plugged.

Module Type	Installation method	mechanical load/Pa	A/mm	B/mm	C/mm	D/mm	E/mm	F/mm
THxxxCM5-72S/ /THxxxPM5-72S/ THxxxPM5-72SF/ THxxxPM5-72SS/ THxxxPMB5-72S/ THxxxPMB5-72SF/ THxxxPMB5-72SS	Longside Installation	positive3600、negtive3600	1942	1069	390±50	/	8~11	≥50
		positive5400、negtive2400	1942	1069	390±50	970±50		
THxxxPM5-72S/ THxxxPM5-72SA/ THxxxPM5-72SAF/ THxxxPM5-72SAS/ THxxxPMB5-72S/ THxxxPMB5-72SA/ THxxxPMB5-72SAF/ THxxxPMB5-72SAS	Longside Installation	positive3600、negtive3600	1969	1084	395±50	/	8~11	≥50
		positive5400、negtive2400	1969	1084	395±50	985±50		
THxxxPM5-78S/ THxxxPM5-78SA/ THxxxPM5-78SAF/ THxxxPM5-78SAS/ THxxxPMB5-78S/ THxxxPMB5-78SA/ THxxxPMB5-78SAF/ THxxxPMB5-78SAS	Longside Installation	positive3600、negtive3600	1969	1140	395±50	/	8~11	≥50
		positive5400、negtive2400	1969	1140	395±50	985±50		
THxxxPM5-72SB/ THxxxPM5-72SBF/ THxxxPM5-72SBS	Longside Installation	positive3600、negtive3600	2056	1140	410±50	/	8~11	≥50
		positive5400、negtive2400	2056	1140	410±50	1028±50		
THxxxPM6-72SC	Longside Installation	positive3600、negtive3600	2142	1140	428±50	/		
		positive5400、negtive2400	2142	1140	428±50	1071±50		
THxxxPM6-39SB	Longside Installation	positive5400、negtive2400	1646	1084	330±50	/	8~11	≥50



THxxxCM5-60S /THxxxPM5-60S/ THxxxPM5-60SF/ THxxxPM5-60SS/ THxxxPMB5-60S/ THxxxPMB5-60SF/ THxxxPMB5-60SS/	Longside Installation	positive5400、negtive2400	1622	1068	325±50	/	8~11	≥50
THxxxCM5-60S /THxxxPM5-60S/ THxxxPM5-60SF/ THxxxPM5-60SS/ THxxxPMB5-60S/ THxxxPMB5-60SF/ THxxxPMB5-60SS/	Longside Installation	positive5400、negtive2400	1622	1068	511±50	/	8~11	≥50
THxxxCM5-60S /THxxxPM5-60S/ THxxxPM5-60SF/ THxxxPM5-60SS/ THxxxPMB5-60S/ THxxxPMB5-60SF/ THxxxPMB5-60SS/	Longside Installation	positive5400、negtive2400	1622	1068	411±50	/	8~11	≥50
THxxxCM5-60S /THxxxPM5-60S/ THxxxPM5-60SF/ THxxxPM5-60SS/ THxxxPMB5-60S/ THxxxPMB5-60SF/ THxxxPMB5-60SS/	Longside Installation	positive5400、negtive2400	1622	1068	361±50	/	8~11	≥50
THxxxCM5-60S /THxxxPM5-60S/ THxxxPM5-60SF/ THxxxPM5-60SS/ THxxxPMB5-60S/ THxxxPMB5-60SF/ THxxxPMB5-60SS/	Longside Installation	positive5400、negtive2400	1622	1068	211±50	/	8~11	≥50
THxxxPM5-60S/ THxxxPM5-60SA/ THxxxPM5-60SAF/ THxxxPM5-60SAS/ THxxxPMB5-60S/ THxxxPMB5-60SA/ THxxxPMB5-60SAF/	Longside Installation	positive5400、negtive2400	1646	1084	330±50	/	8~11	≥50
THxxxPM5-66S/ THxxxPM5-66SA/ THxxxPM5-66SAF/ THxxxPM5-66SAS/ THxxxPMB5-66S/ THxxxPMB5-66SA/ THxxxPMB5-66SAF/ THxxxPMB5-66SAS	Longside Installation	positive5400、negtive2400	1646	1140	330±50	/	8~11	≥50
THxxxPM5-60SB/ THxxxPM5-60SBF/ THxxxPM5-60SBS	Longside Installation	positive5400、negtive2400	1719	1140	345±50	/	8~11	≥50

6.3.2.6 For matters concerning clamp or installation not mentioned in this manual, contact the local dealer for professional support.

## 7. Electrical installation

### 7.1 Electrical property

7.1.1 Under normal conditions, a photovoltaic module is likely to experience conditions that produce more current and voltage than reported at standard test conditions. Accordingly, the values of ISC and VOC marked on this module should be multiplied by a factor of 1.25 when determining module voltage ratings, conductor current ratings, fuse sizes, and size of controls connected to the PV output.

7.1.2 Try to use the modules with the same configuration in the same PV system. If the modules are connected in series, the total voltage is the sum of voltages of all the modules. The maximum voltage of string does not exceed the maximum system voltage of the modules (the maximum system voltage of Maysun Solar modules is 1500V), the maximum number of modules that can be connected in a series string must be calculated in accordance with applicable regulations, make sure the open circuit voltage of string does not exceed the maximum system voltage of the modules and the other electrical DC modules required at the minimum temperature at the PV system location. Using the following formula:

$$\text{System voltage} = N * V_{oc} * [1 + \lambda_{V_{oc}} (T_{min} - 25^{\circ}\text{C})]$$

N—number of modules in series

$V_{oc}$ —open circuit voltage at STC (refer to product label or datasheet)  $\lambda_{V_{oc}}$ —Thermal coefficient of  $V_{oc}$  of each module (refer to product datasheet)  $T_{min}$ —minimum ambient temperature at the PV system location

7.1.3 If the PV system requires the installation of a high current, several PV modules can be connected in parallel, and the total current is the sum of the current of all the modules. The maximum parallel number of the modules  $N = I_{max}(\text{fuse rating}) / I_{sc}$ .

7.1.4 An over-current protection device with appropriately rated must be used when reverse current could exceed the value of the maximum fuse rating of the module, an over-current protection device is required for each series string if more than two series strings are connected in parallel.

7.1.5 When installing the module, place the end with the junction box up and try to avoid the rain.

7.1.6 Do not carry out the installation in rainy weather, because humidity will void the insulation protection, Thus cause safety accidents.

### 7.2 Cables and wiring

7.2.1 Use a junction box with a degree of protection IP67 or above. The junction box has a connection cable and connector. Each module has two single-conductor wires, one positive and one negative, which are pre-wired inside the junction box. Installers can connect two modules by firmly inserting the positive connector of a module into the negative connector of the other module. Refer to the following table for details of the junction box.

7.2.2 Never perform pretreatment to modules including connector, junction box and cable with lubricating oil or cleaning agent made of alkanet materials during installation.

7.2.3 The cross-section area of the cable and connector capacity selected must satisfy the maximum short-circuit current of the system (It is recommended that the cross-section area of the cable used for the single module is  $4\text{mm}^2$ , Please note that the temperature limit range of the cable is  $-40^{\circ}\text{C} \sim +90^{\circ}\text{C}$ ).

7.2.4 When fastening the cables to the supporting rail, pay attention to avoid mechanical damage to the cables or modules, and also making a special design to protect the cables from environmental corrosion and direct sunshine, for example, put the cable into the supporting beam or special pipes with UV-resistant materials. The cables designed are sunlight resistant and waterproof, but also to avoid direct sunlight exposure and water immersion of the cables.

### 7.3 Connectors

7.3.1 When connecting modules, make sure that the connectors of the same series module shall come from the same manufacturer or totally be compatible with each other, and the same requirements shall go to the connection terminals of series string and PV system, because the connectors from different manufacturers may not be compatible with each other, which easily leads to mismatch risk.

7.3.2 Ensure that connector caps are tightened before connecting the modules, keep connectors dry and clean. Do not attempt to make an electrical connection when the connectors are wet, soiled, or otherwise faulty conditions. Avoid sunlight exposure and water immersion of the connectors.

### 7.4 Bypass diodes

The junction box of the Maysun module contains a bypass diode and forms a parallel structure with the solar cell circuit. When the solar cell sheet is blocked or damaged, a hot spot phenomenon occurs locally in the module, and the diode will operate so that the current is no longer discharged from the hot spot solar cell flow, thereby limiting module heat and performance loss. Please note that bypass diodes are not over current protection devices.

### 7.5 Grounding

7.5.1 Modules use an anodized aluminum alloy frame as a rigid support, in order to avoid modules by lightning and electrostatic damage, as well as the protection of personal safety, all module frames and mounting racks, must be grounded. If there is no special provision, please follow the International Electrotechnical Commission standards or other international standards. Use the recommended connection terminals to connect the grounding cable to the module frame. Use 12AWG copper wire for the grounding wire. As shown in Figure 5 on the module ground hole and its label, Figure 6 shows the module grounding method.

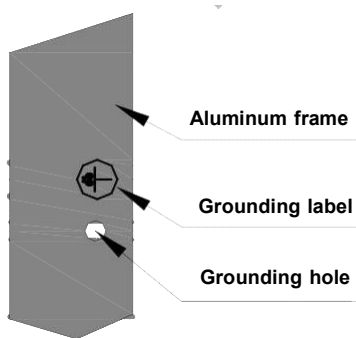


Figure 5 Grounding hole and ground label

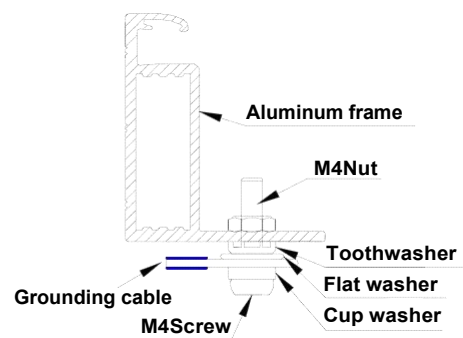


Figure6 Grounding method

7.5.2 The frames have pre-drilled grounding holes and brand with signs, these holes should be only used for grounding purposes, but not for mounting the modules. And do not drill any additional grounding holes on the frames of the module, which may void the warranty.

7.5.3 For optimum power output, it is recommended to ground the DC negative pole of the module array.

7.5.4 The grounding cables must be fully in contact with the inside of the aluminium alloy, and the connection terminal must penetrate the oxidation coating of the frame during grounding. Connecting the module frames and supporting beams using suitable grounding conductor can achieve good grounding. If the supporting system is made of metal, the surface must be electroplated and have excellent conductivity.

7.5.5 The grounding cables must be connected to the earth through a suitable grounding electrode. Recommend to use the grounding accessories(lugs) to connect the cables. Welding grounding cable to the jack of lugs, then inserting M4 screws into the ring of the lugs and the grounding holes of module frames, fastening with M4 nuts. Spring washers should be used to prevent the screws from loosening and leading to poor grounding.

7.5.6 If the module is used in a high-temperature and high-humidity environment, Maysun Solar suggest the customer configure the inverter which allows negative grounding and contains an isolation transformer (as shown in figure7).

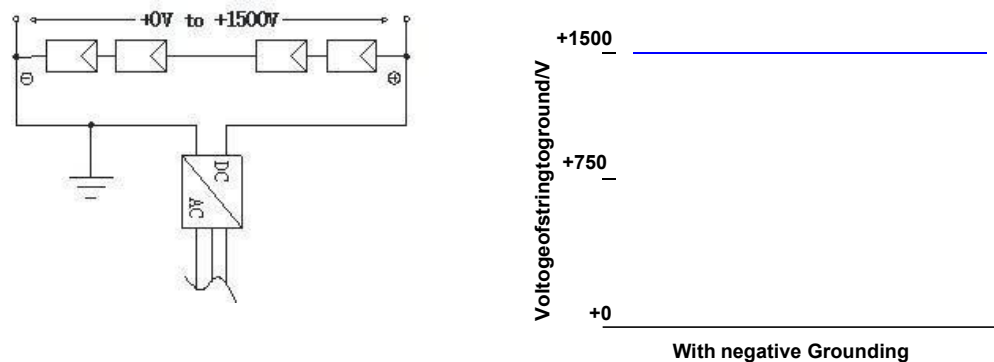


Figure 7 Schematic diagram for grounding potential of the inverter

7.5.7 Maysun modules may be grounded using a third-party earthing device, provided that the earthing must be reliable. The earthing device is operated in accordance with the manufacturer's requirements.

## 8. Maintenance and care

Modules need to be inspected and maintained regularly, especially during the warranty period. To ensure optimum performance of the modules, the following maintenance measures are recommended.

### 8.1 Cleaning

When modules are working, there should not be environmental influence factors to cover shadows in the modules, such as other modules, supporting rail, plants, a large number of dust etc., which may directly reduce the power out put and may even cause regional hot-spot effect. Therefore clean the glass surface on are the gular basis, clean modules take measures so as:

- a) The frequency of the cleaning module depends on the rate of dirt buildup. Under normal conditions, the rain will clean the surface of the module, but it is still needed to regularly use a soft sponge or cloth(dry or wet) cleaning modules. Any situation can not use rough surface materials to clean modules, no use of acid and alkali cleaner to remove dirt.
- b) Avoid pressing part of the module hard during cleaning, which may cause glass deformation, cell damage and reduction of the module's life.



- c) Remove the snow covered on the module in time to avoid the module damage caused by long-term accumulation of snow cover and freezing of melted snow.
- d) When cleaning the negative of the module needs to avoid piercing negative-sheet.
- e) It is recommended that modules be cleaned in the early morning or late afternoon when light is low and the module temperature is low, especially for areas with high temperatures.
- f) Do not attempt to clean modules that are damaged by glass or have exposed electrical wiring, which may be subject to an electric shock hazard.

## 8.2 Visual inspection

Please carefully check the modules of the existence of visual defects, focusing on the following items:

- a) Check whether the module glass is broken.
- b) Check if the front of the module is obstructed by obstacles or foreign objects.
- c) Check the module negative-sheet whether there is hot, negative film raised, burn through the traces and soon.
- d) Check whether the cell bus-bar is corroded, whether encapsulation materials of the module has delamination, bubbles, etc.
- e) Check the tightness of the bolts and the electrical connection at the connection points between the module and the supporting rail.

## 8.3 Inspection of connector and cable

It is advisable to carry out a preventive check every 6 months and check the following:

- a) Check Junction box adhesive for cracks or cracks.
- b) Check the connector interface sealing and whether there is loose, melt deformation, aging or corroding.
- c) Check that the cable connections are secure and that the modules are properly grounded.

When the module is found to be defective, consult a qualified service technician. If servicing is required, it should be serviced by a qualified service technician. Module exposure generates high voltages in the sun, so cover the modules with opaque material when servicing modules to prevent electrical shock.

Note:

1. If found in the maintenance of any problems, feed negative to the professional service personnel for confirmation;
2. If using maintenance and repair measures not included in this manual, consult your local dealer for professional support.

## 9. Disclaimer of liability

**9.1** Because the use of the manual and the conditions or methods of installation, operation, use and maintenance of photovoltaic (PV) product are beyond Maysun's control, Maysun does not accept responsibility and expressly disclaims liability for loss, damage, or expense arising out of or in any way connected with such installation, operation, use or maintenance.

**9.2** Maysun shall not be liable for damage to the product resulting from the installation or the design of the power generation system.

**9.3** No responsibility is assumed by Maysun for any infringement of patents or other rights of third parties, which may result from use of the PV product, No license is granted by implication or otherwise under any patent or patent rights.

**9.4** In the installation of modules, the customer is not in accordance with the requirements of the listed this manual operation, Maysun does not provide any warranty.



[www.maysunsolar.com](http://www.maysunsolar.com)

**9.5** The information in this manual is based on Maysun's knowledge and experience and is believed to be reliable, but such information including product specification (without limitations) and suggestions do not constitute a warranty, express or implied.

**9.6** Maysun reserves the right to change the manual, module technical specification, nameplate or product information sheets without prior notice.

**Maysun Solar China Head Office**

**Add: Xintiandi Business Center, Xiacheng Zone Hangzhou City, Zhejiang Province, 310006, P.R. China**

**Tel.: +86571-85273827**

**Web: www.maysunsolar.com**