
360° EMITTING SILICONE NEON STRIP

Model: NR25B

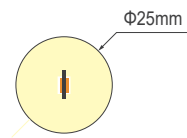


Ver
2.2

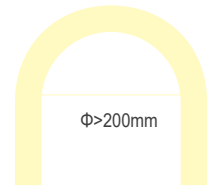


Product Feature

- Unique black silicone body, it's easier to blend into different installation environment.
- Unique optical light distribution structure design, 360° emitting uniform without shadow.
- IP65 protection level with integrated extrusion molding process, high light transmittance, environment-friendly silicone material.
- Excellent toughness, stylish appearance, elegant design
- Salt resistance, acid & alkali corrosion resistance, UV and fire resistance.
- Ambient temperature: -25°C~60°C; Storage temperature: 0°C~60°C.

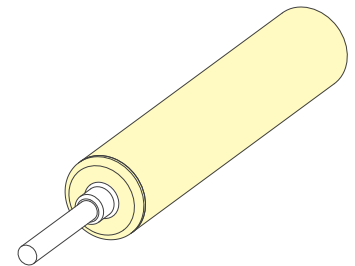
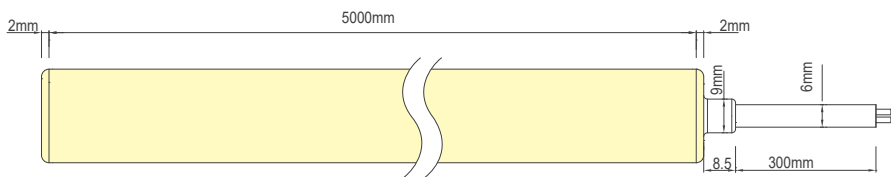


Diameter



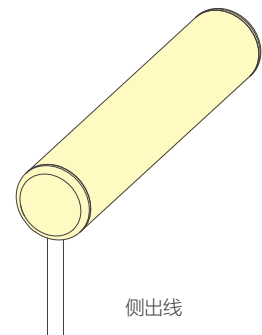
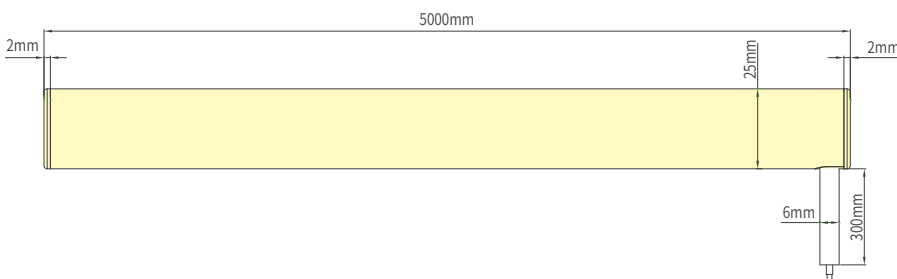
Minimum bending diameter

Front entry Integral End cap (IP65)



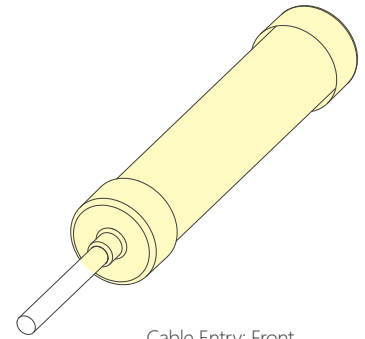
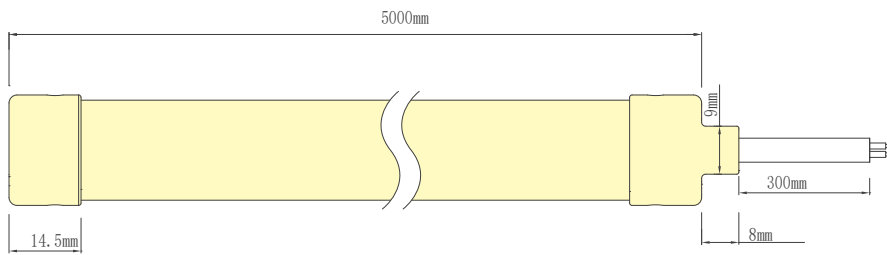
Cable entry: Front

Side entry Intergral End Cap (IP65)



侧出线

Silicone End Cap(IP65)



Cable Entry: Front

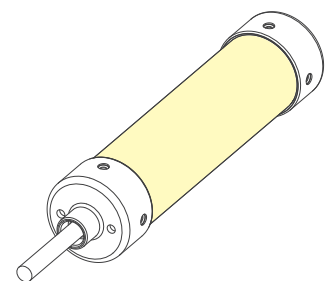
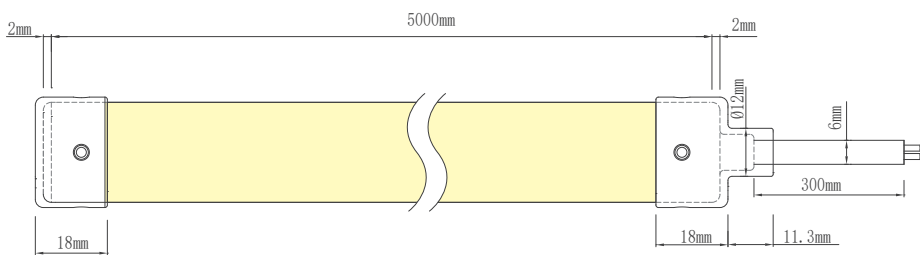


The Head



The End

Metal End Cap (IP65)



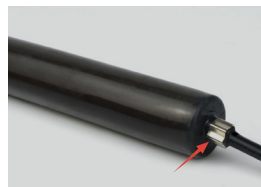
Cable Entry : Front



The Head



The End



The metal guard coil is unavailable
if fitted the metal end cap

Photoelectric parameters (5W)

Power (W)	CCT	Lumens (LM/M)	Efficacy (LM/W)	Voltage (v)	CRI (Ra)	Unit cut (mm)	Max. productive length (M)
Single color 5W	2400±100	37	7.4	24	90	/	5M
	2700±100	38	7.6				
	3000±100	40	8				
	3500±200	39	7.9				
	4000±300	39	7.8	24	/	/	5M
	5000±300	37	7.4				
	R: 620-630nm	19	3.8				
	G: 520-530nm	36	7.2				
	B: 465-475nm	4.6	0.9				
	Y: 585-595nm	14	2.8				
Pink	30	6	24	90	/	5M	
3000 (WW+W)	31	6					
4000 (W)	15	5.9					
Tunable white 5W	2300 (WW)	16	6.5	24	/	/	5M
RGB 5W	R: 620-630nm	2.7	2.6				
	G: 520-530nm	7.5	1.8				
	B: 465-475nm	1.1	5.2				
	RGB	11.4	0.7				

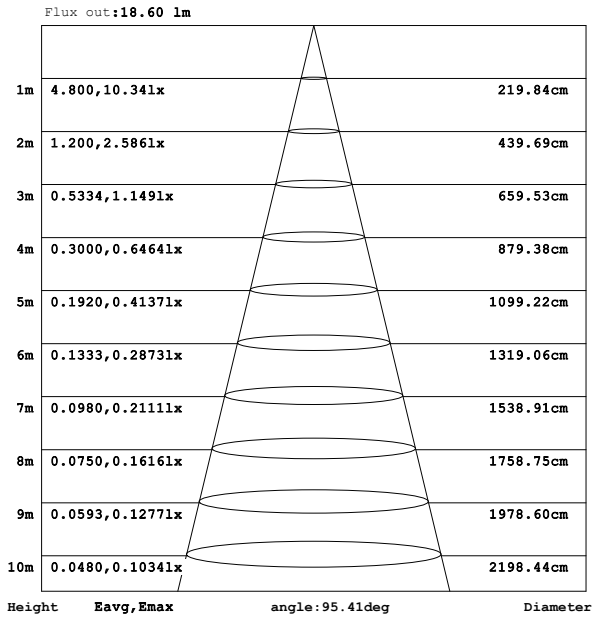
Photoelectric parameters (10W)

Power (W)	CCT	Lumens (LM/M)	Efficacy (LM/W)	Voltage (v)	CRI (Ra)	Unit cut (mm)	Max. productive length (M)
Single color 10W	2400±100	75	7	24	90	/	5M
	2700±100	78	7.4				
	3000±100	83	7.8				
	3500±200	82	7.8				
	4000±300	80	7.7				
	5000±300	75	7.2	24	/	/	5M
	R: 620-630nm	40	3.8				
	G: 520-530nm	73	6.5				
	B: 465-475nm	12	1.1				
	Y: 585-595nm	29	2.8				
Pink	62	5.8	24	90	/	5M	
3000 (WW+W)	64	6.2					
4000 (W)	31	6					
Tunable white 10W	2300 (WW)	33	6.4	24	/	/	5M
RGB 10W	R: 620-630nm	4.6	2.5				
	G: 520-530nm	15	2				
	B: 465-475nm	1.7	4.6				
	RGB	21	0.6				

Photoelectric parameters (RGBW 16W)

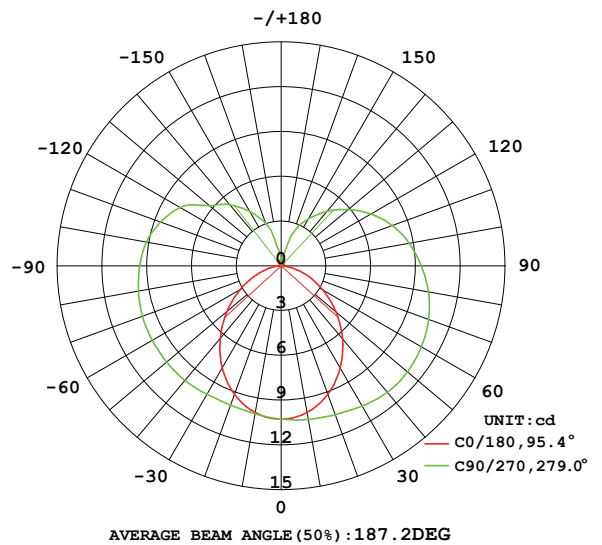
Power (W)	CCT	Lumens (LM/M)	Efficacy (LM/W)	Voltage (v)	CRI (Ra)	Unit cut (mm)	Max. productive length (M)
RGB (12W)	R: 620-630nm	2.6	0.6	24	/	/	5M
	G: 520-530nm	5.7	1.8				
	B: 465-475nm	19.4	4.8				
W (4W)	RGB	29.3	2.4	24	90	/	5M
	2200±100K	24.2	6.1				
	2700±100K	26.6	6.6				
	3000±100K	25.9	6.5				
	4000±200K	25.7	6.4				
	4500±200K	25.1	6.3				

Light distribution curve



Note: The Curves indicate the illuminated area and the average illumination when the luminaire is at different distance.

Effective average illumination



Note: The above data is based on the test results of the single white 3000K led strip.

Product accessories



-Name: R25 - Surface mounting with open PC clips
 -Model: R25-IA01
 -Attachment: Transparent PC mounting clips, Tapping screws, Expandable rubber plugs



-Name: R25 - Surface mounting with PC profile
 -Model: R25-IA02
 -Attachment: Transparent PC mounting profile, Tapping screws, Expandable rubber plugs
Note: Using Transparent PC mounting profile will cause the neon body to compress and stretch, resulting in a dark area at the tail!



-Name: R25 - "—" type hanging mounting with open PC clips
 -Model: R25-IA03
 -Attachment: Transparent PC mounting clips, Kit of hanging rope, Screws



-Name: R25 - "—" type hanging mounting with PC profile
 -Model: R25-IA04
 -Attachment: Transparent PC mounting profile, Kit of hanging rope, Screws
Note: Using Transparent PC mounting profile will cause the neon body to compress and stretch, resulting in a dark area at the tail!



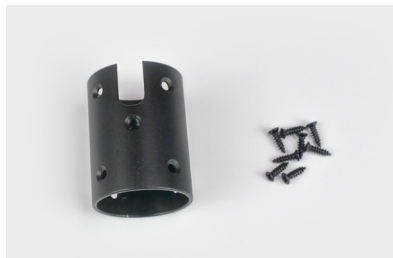
-Name: R25 - "I" type hanging mounting
 -Model: R25-IA05
 -Attachment: Kit of "I" type hanging mounting, Tapping screws, Expandable rubber plugs



-Name: R25 - "U" type hanging mounting
 -Model: R25-IA06
 -Attachment: Kit of "U" type hanging mounting, Tapping screws, Expandable rubber plugs



-Name: R25 - "I" type hanging mounting with rope
 -Model: R25-IA07
 -Attachment: Kit of "I" type hanging mounting with rope, Tapping screws, Expandable rubber plugs



-Name: R25 - Connector with side outlet
 -Model: R25-IA08
 -Attachment: Metal connector with side outlet, Tapping screws



-Name: R25 - Connector
 -Model: R25-IA09
 -Attachment: Metal connector, Tapping screws

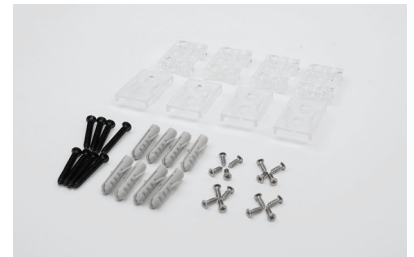
Product accessories



-Name: R25 - Surface mounting with closed PC clips
 -Model: R25-IA10
 -Attachment: "Ω" type transparent PC clips, Transparent PC pedestals with one hole, Tapping screws, Expandable rubber plugs



-Name: R25 - "—" type hanging mounting with closed PC clips
 -Model: R25-IA11
 -Attachment: "Ω" type transparent PC clips, Transparent PC pedestals with one hole, Kit of hanging rope, Machine screws



-Name: R25 - Surface mounting with concealed PC clips
 -Model: R25-IA12
 -Attachment: Transparent PC pedestals with two holes, Transparent PC pedestals with five holes, Tapping screws, Tapping screws, Expandable rubber plugs



-Name: R25 - "—" type hanging mounting with concealed PC clips
 -Model: R25-IA13
 -Attachment: Transparent PC pedestals with five holes, Tapping screws, Kit of hanging rope, Machine screws



-Name: R25 - "—" type adjustable hanging mounting with open PC clips
 -Model: R25-IA14
 -Attachment: Transparent PC mounting clips, Machine screws, Kit of telescopic rod



-Name: R25 - "—" type adjustable hanging mounting with PC profile
 -Model: R25-IA15
 -Attachment: Transparent PC mounting profile, Machine screws, Kit of telescopic rod
Note: Using Transparent PC mounting profile will cause the neon body to compress and stretch, resulting in a dark area at the tail!

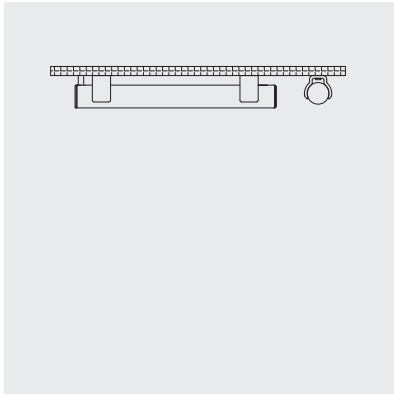


-Name: R25 - "—" type adjustable hanging mounting with closed PC clips
 -Model: R25-IA16
 -Attachment: "Ω" type transparent PC clips, Transparent PC pedestals with one hole, Kit of telescopic rod

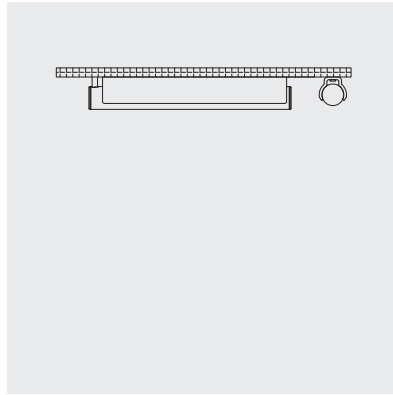


-Name: R25 - "—" type adjustable hanging mounting with concealed PC clips
 -Model: R25-IA17
 -Attachment: Transparent PC pedestals with five holes, Tapping screws, Kit of telescopic rod, Machine screws

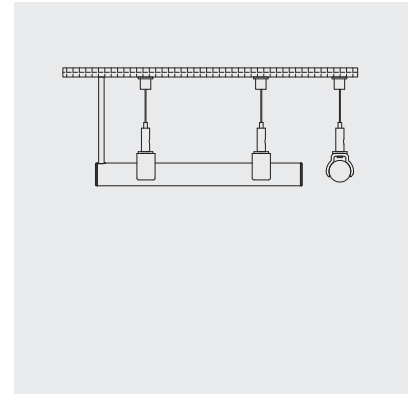
Installation Diagram for R25 Neon Light



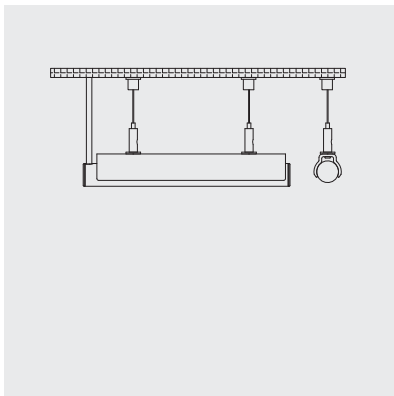
R25 - Surface mounting with open PC clips
(R25-IA01)



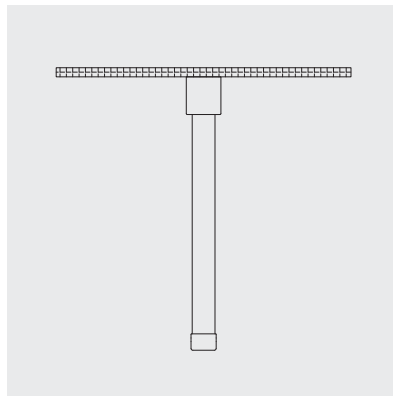
R25 - Surface mounting with PC profile
(R25-IA02)



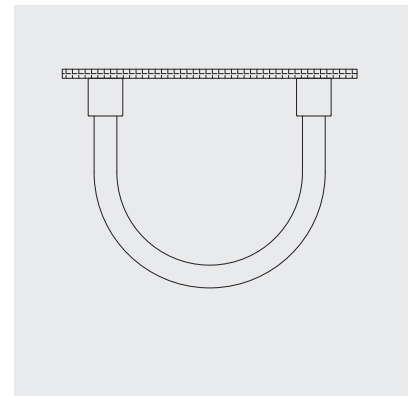
R25 - “—” type hanging mounting with
open PC clips
(R25-IA03)



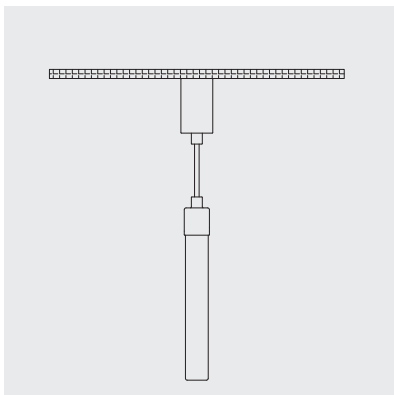
R25 - “—” type hanging mounting with
PC profile
(R25-IA04)



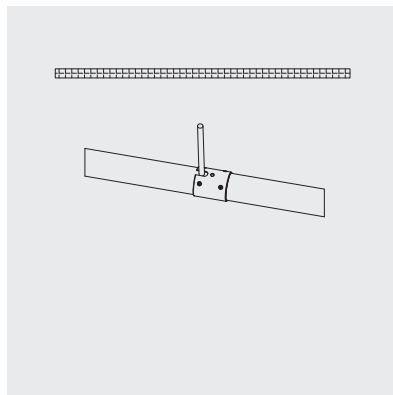
R25 - “I” type hanging mounting
(R25-IA05)



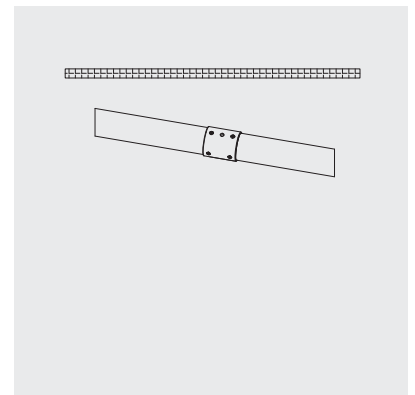
R25 - “U” type hanging mounting
(R25-IA06)



R25 - “I” type hanging mounting with rope
(R25-IA07)

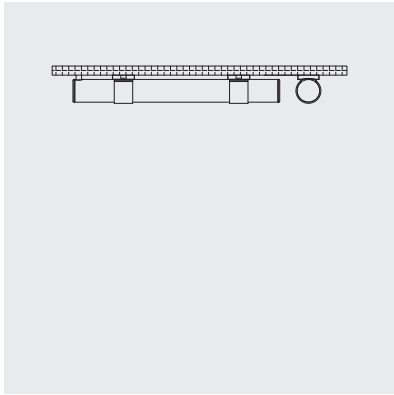


R25 - Connector with side outlet
(R25-IA08)

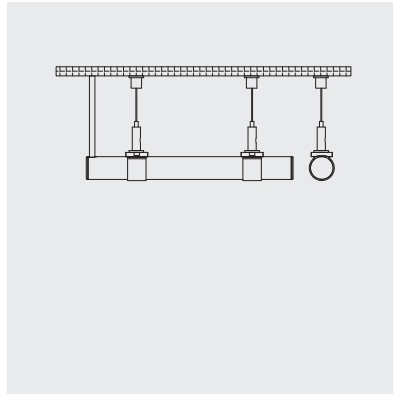


R25 - Connector
(R25-IA09)

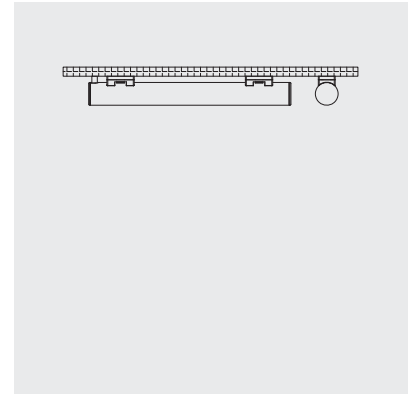
Installation method



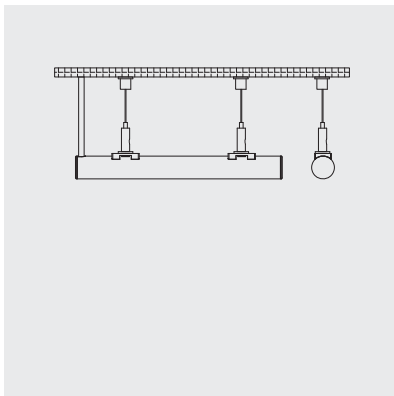
R25 - Surface mounting with closed PC clips (R25-IA10)



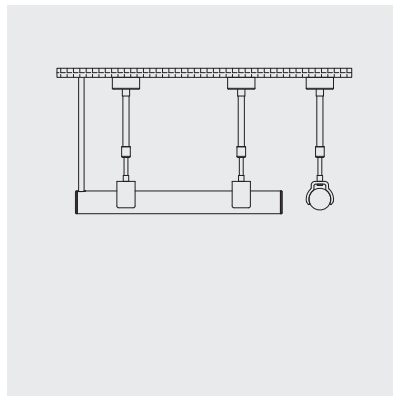
R25 - “—” type hanging mounting with closed PC clips (R25-IA11)



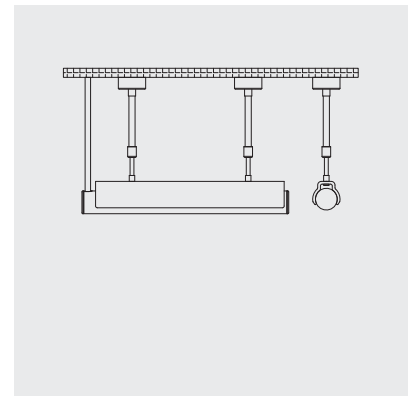
R25 - Surface mounting with concealed PC clips (R25-IA12)



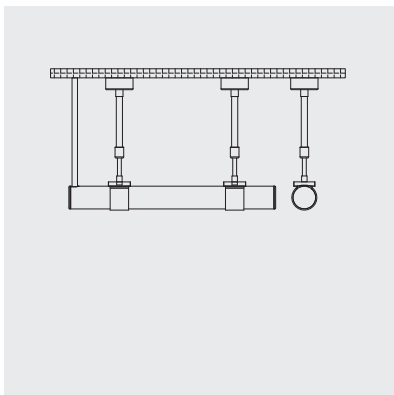
R25 - “—” type hanging mounting with concealed PC clips (R25-IA13)



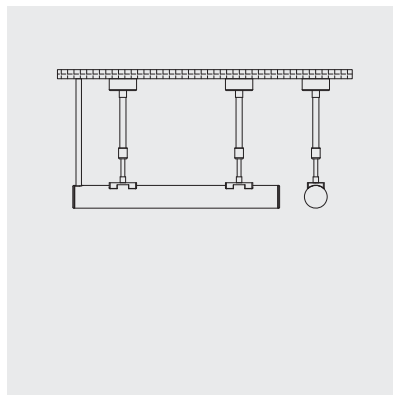
R25 - “—” type adjustable hanging mounting with open PC clips (R25-IA14)



R25 - “—” type adjustable hanging mounting with PC profile (R25-IA15)

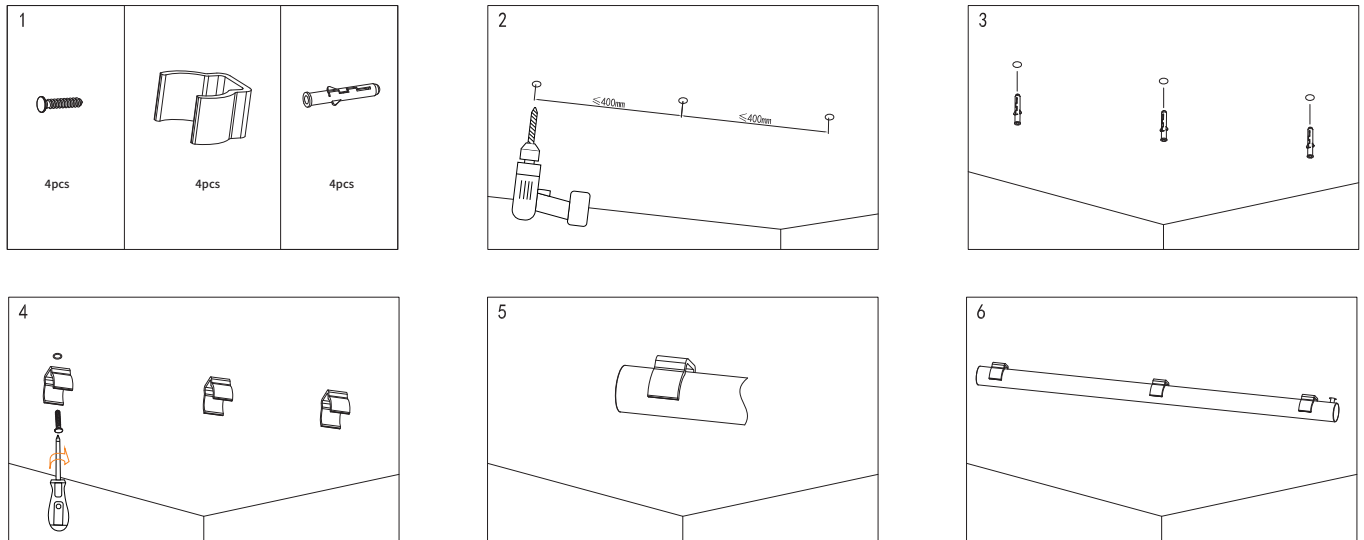


R25 - “—” type adjustable hanging mounting with closed PC clips (R25-IA16)

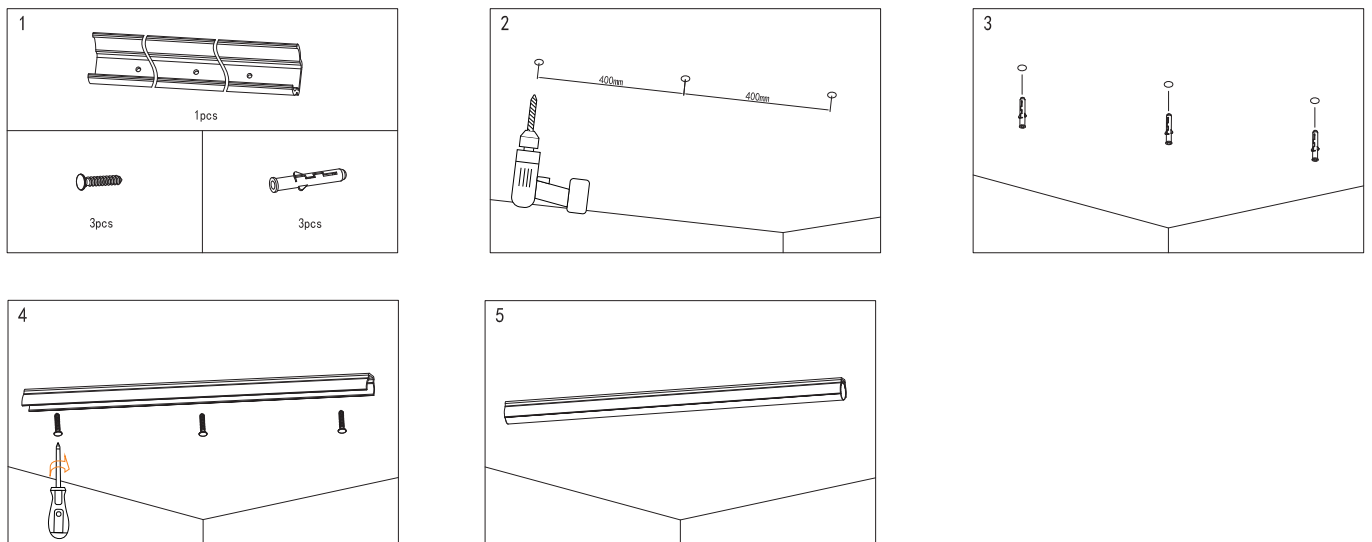


R25 - “—” type adjustable hanging mounting with concealed PC clips (R25-IA17)

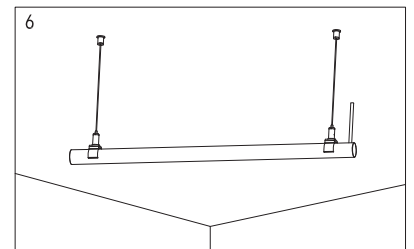
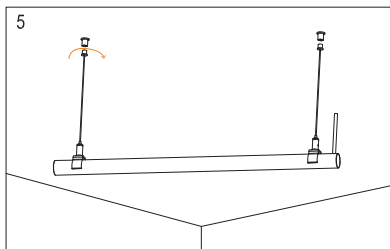
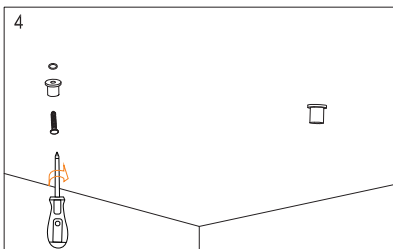
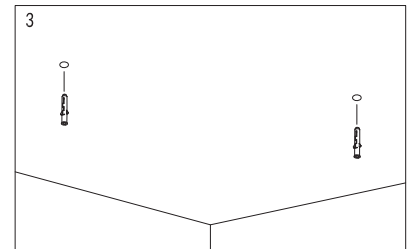
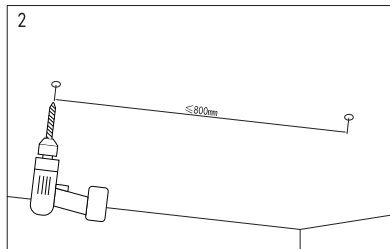
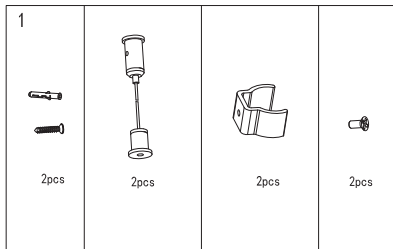
R25 - Surface mounting with open PC clips(R25-IA01)



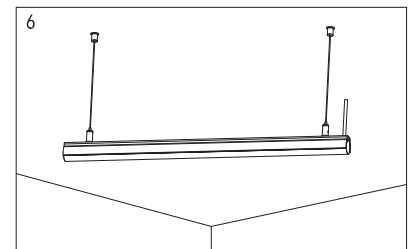
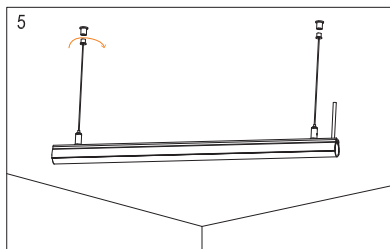
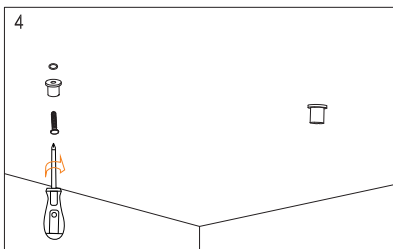
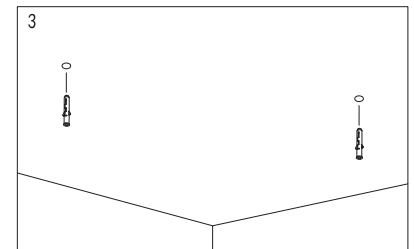
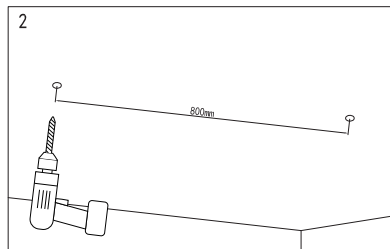
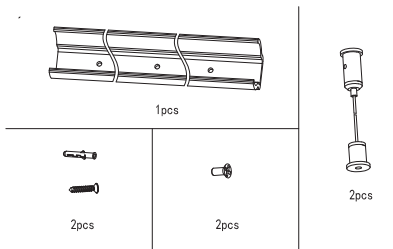
R25 - Surface mounting with PC profile(R25-IA02)



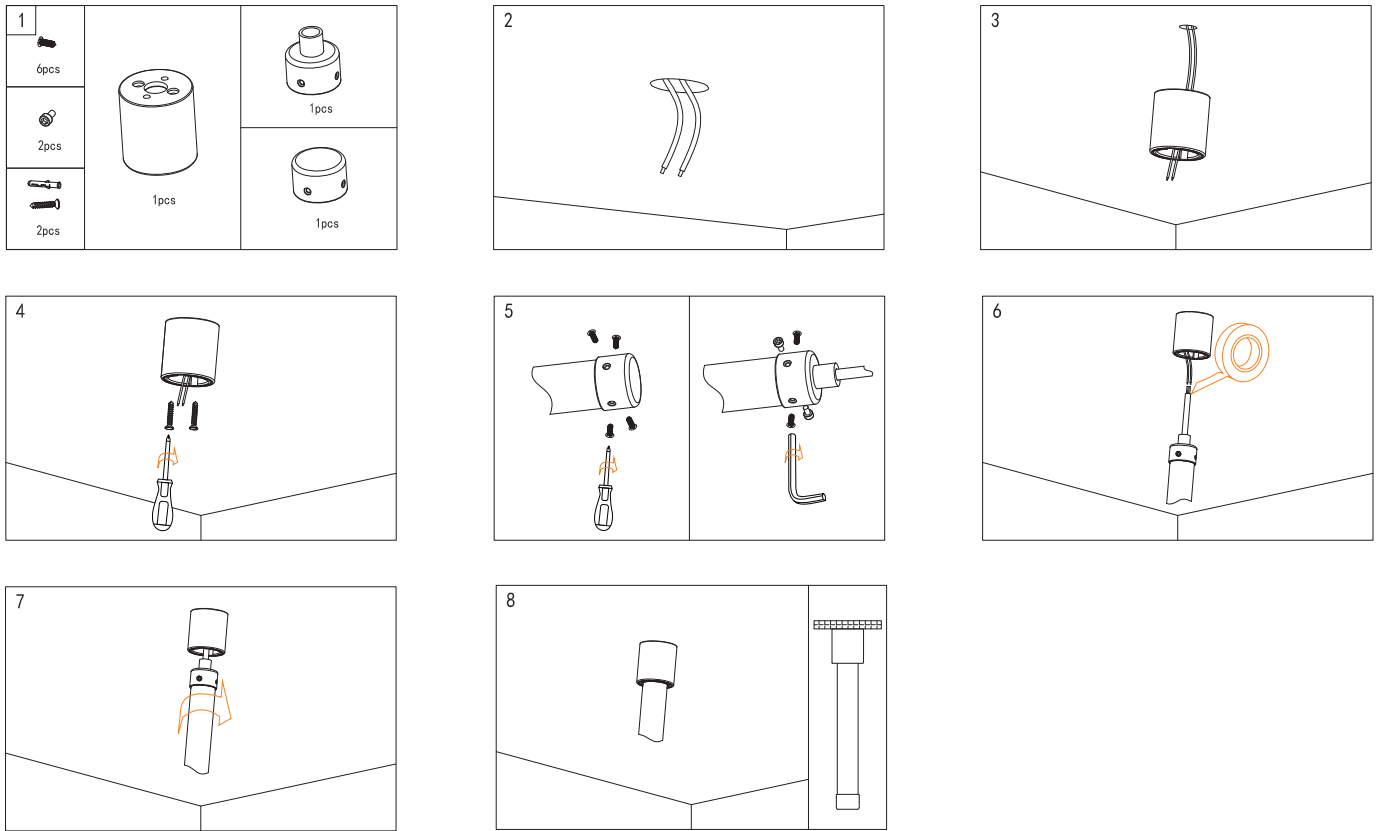
R25 - “—” type hanging mounting with open PC clips(R25-IA03)



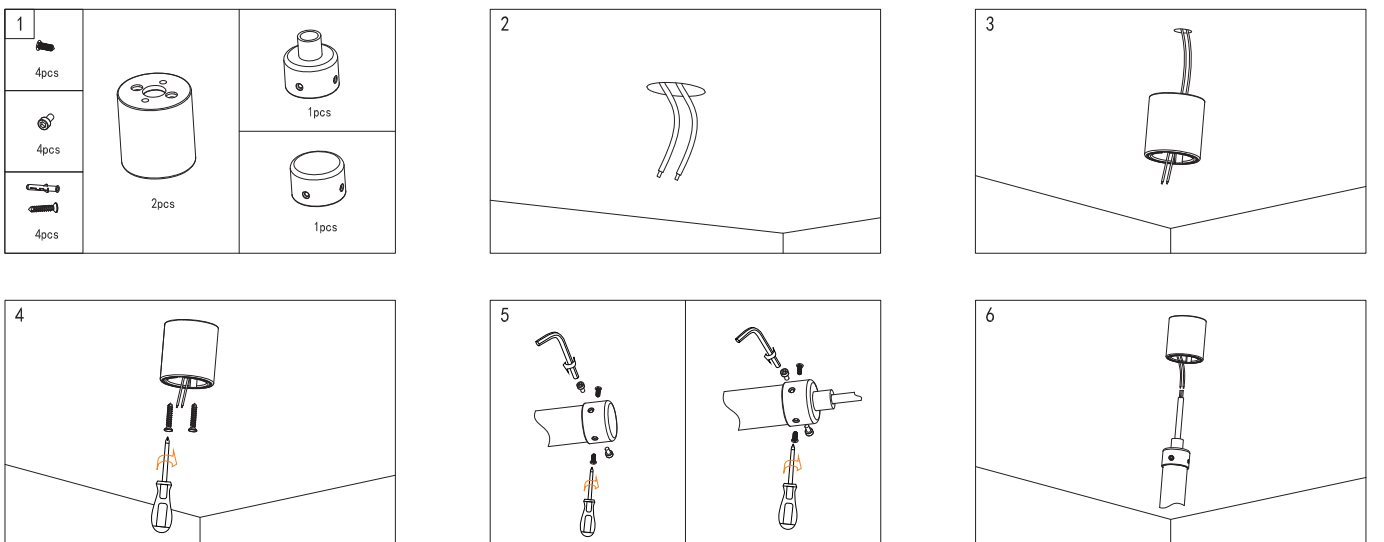
R25 - “—” type hanging mounting with PC profile(R25-IA04)



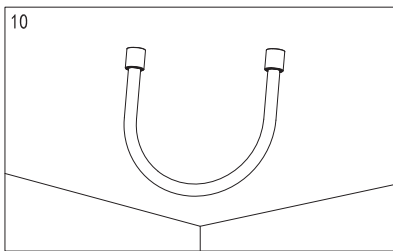
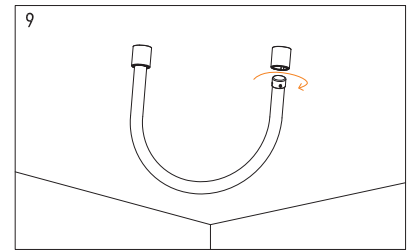
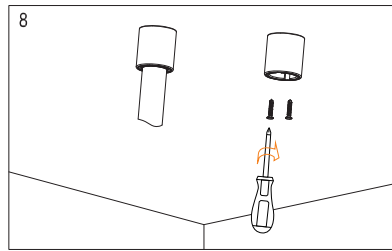
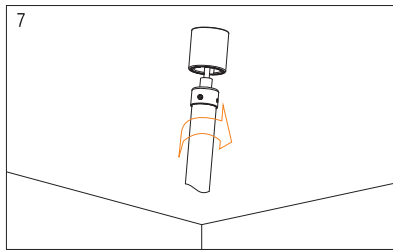
R25 - "I" type hanging mounting(R25-IA05)



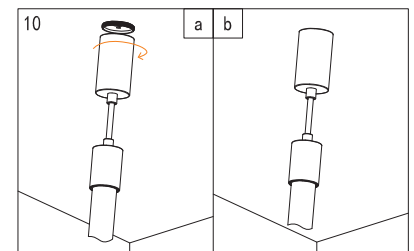
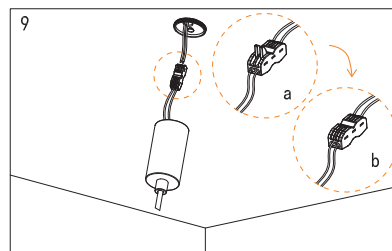
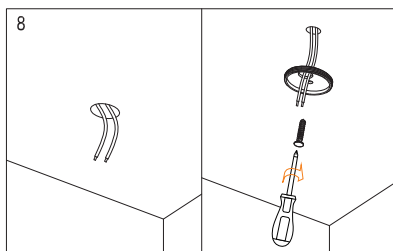
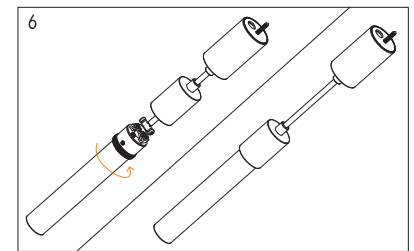
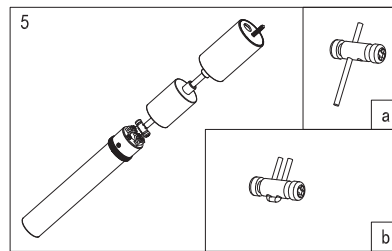
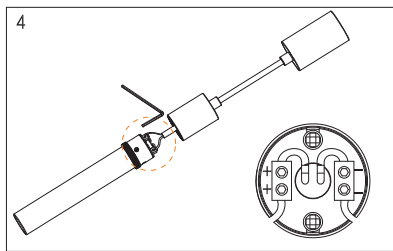
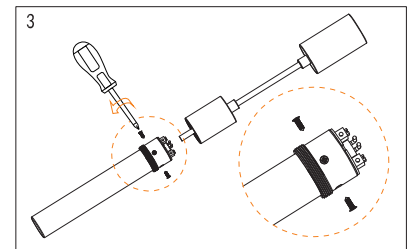
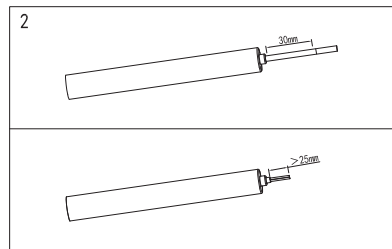
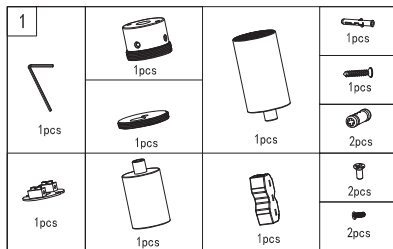
R25 - "U" type hanging mounting(R25-IA06)



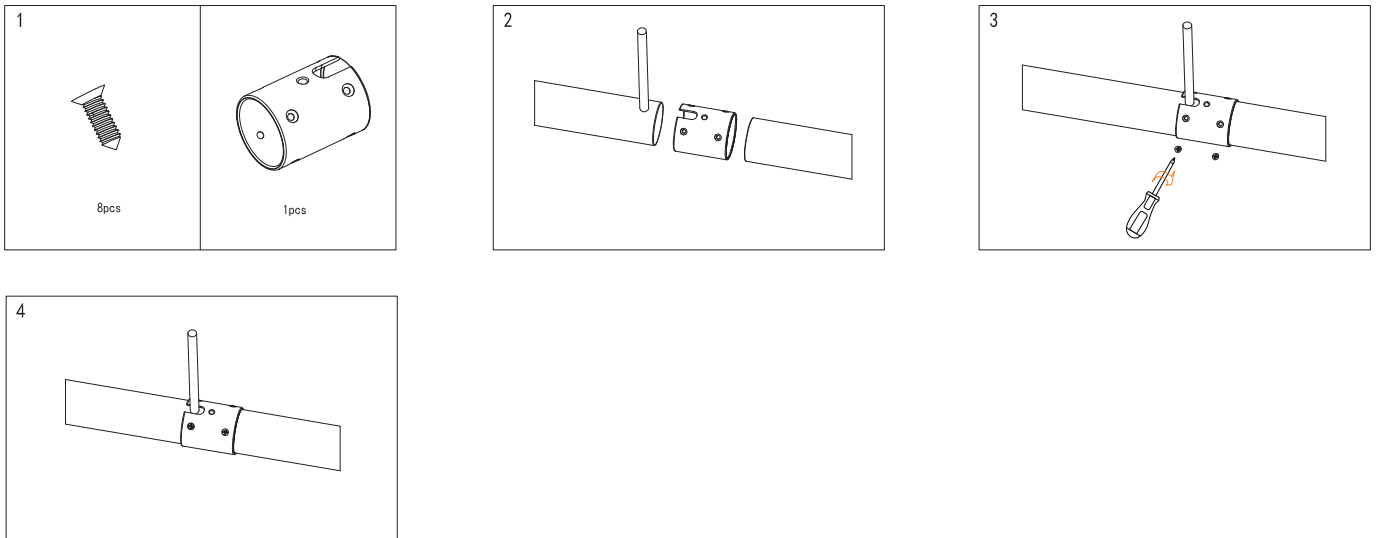
R25 - "U" type hanging mounting(R25-IA06)



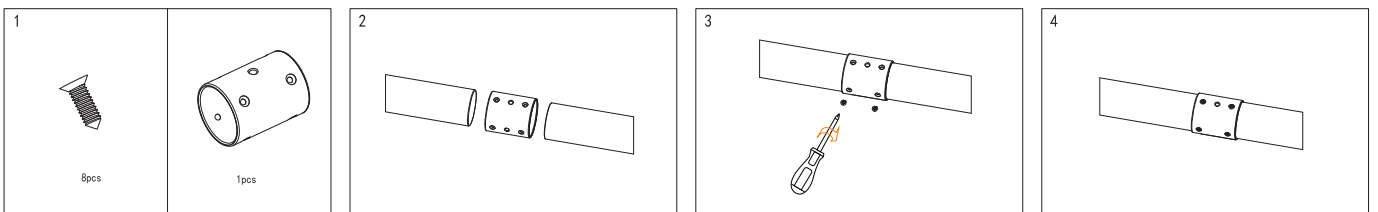
R25 - "I" type hanging mounting with rope(R25-IA07)



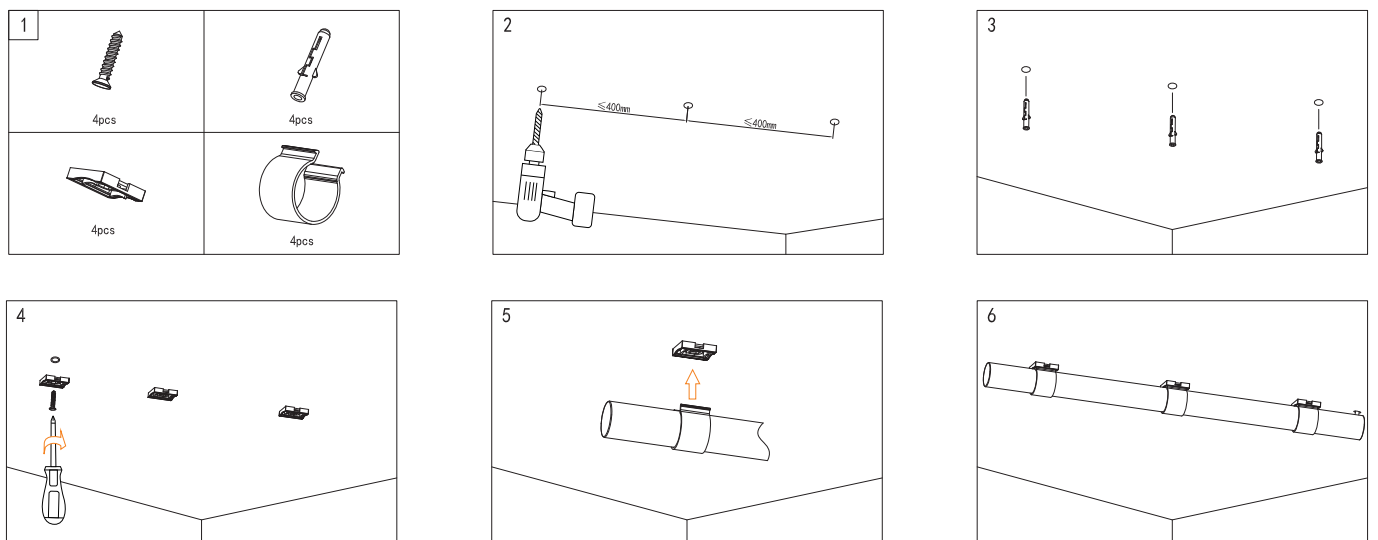
R25 - Connector with side outlet(R25-IA08)



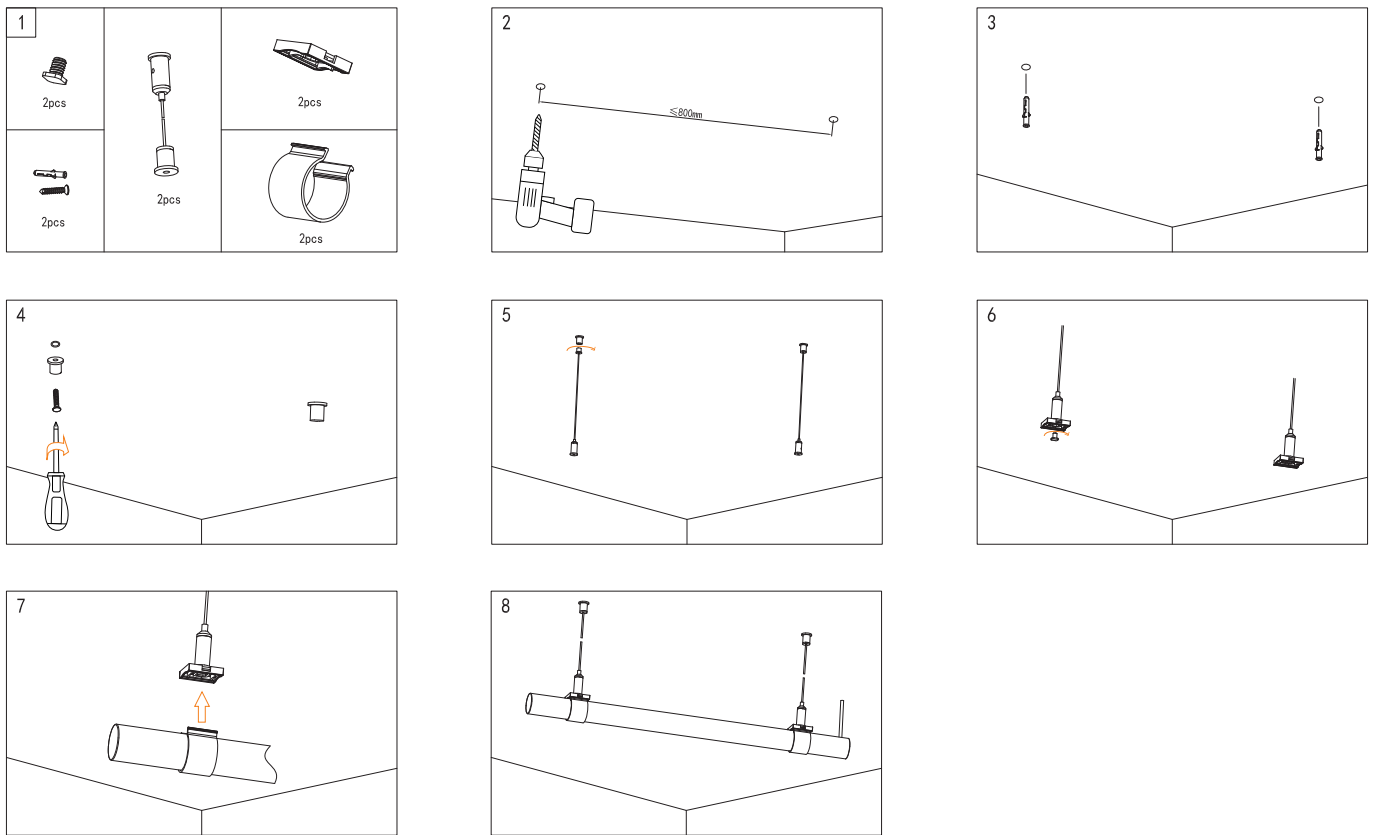
R25 - Connector(R25-IA09)



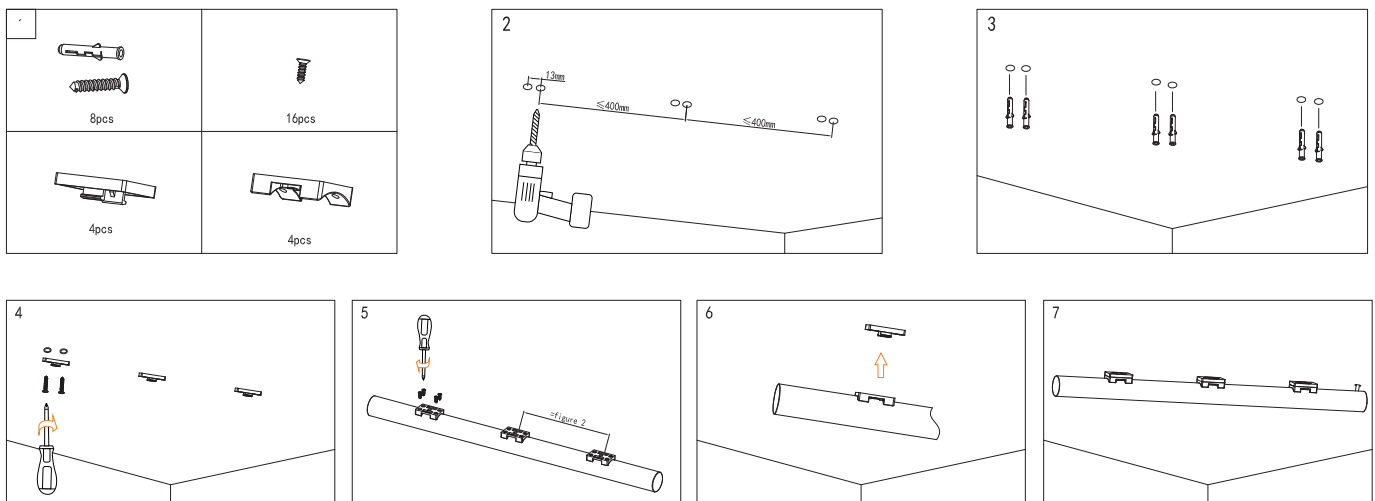
R25 - Surface mounting with closed PC clips(R25-IA10)



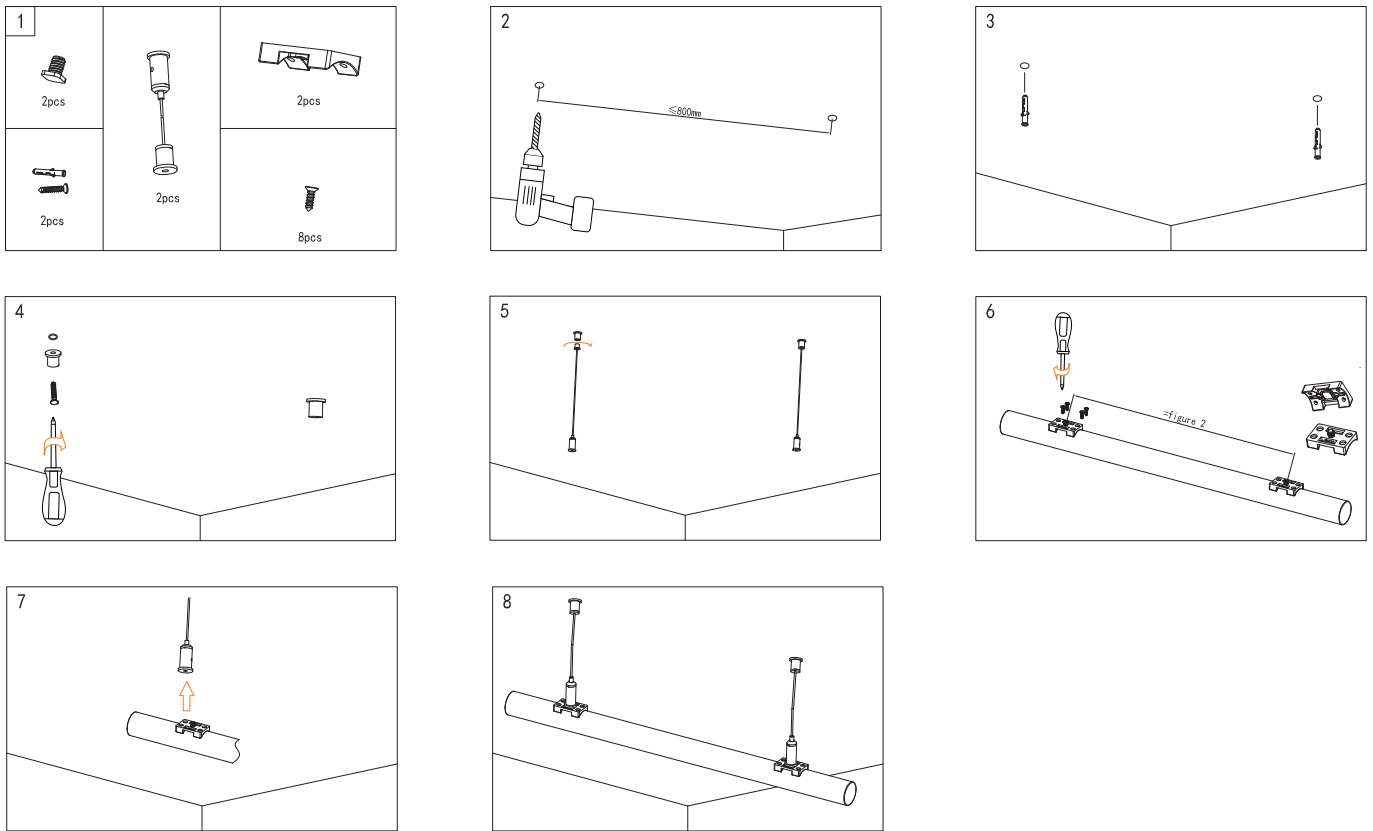
R25 - “—” type hanging mounting with closed PC clips(R25-IA11)



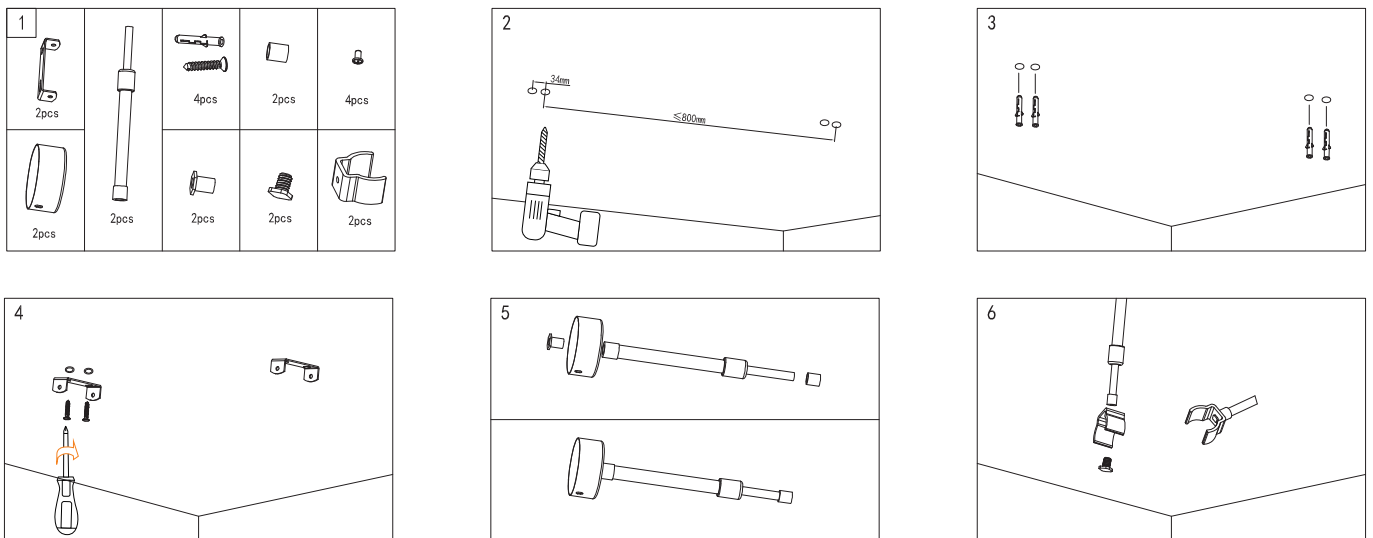
R25 - Surface mounting with concealed PC clips(R25-IA12)



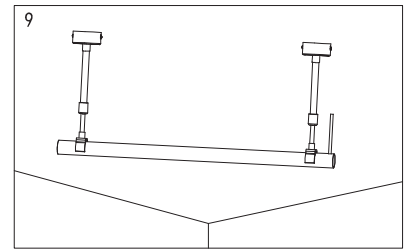
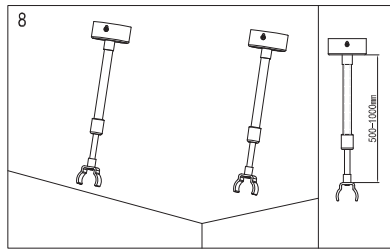
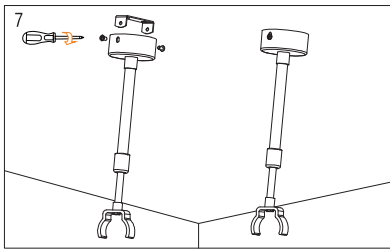
R25 - “—” type hanging mounting with concealed PC clips(R25-IA13)



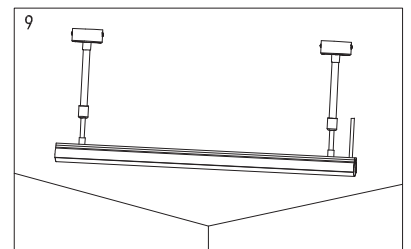
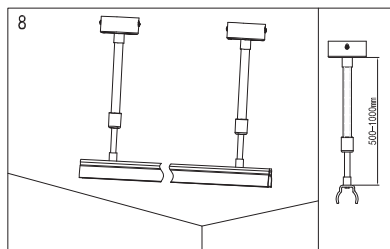
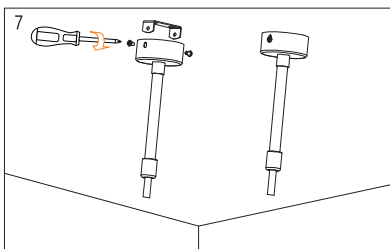
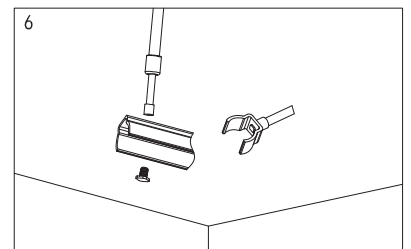
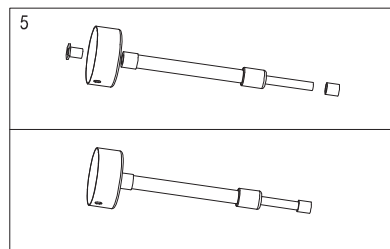
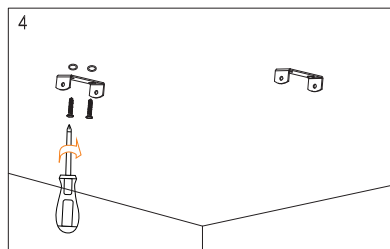
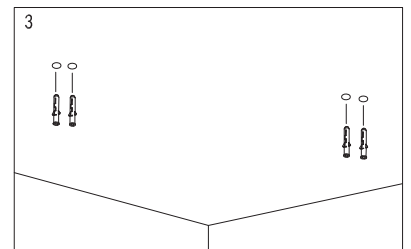
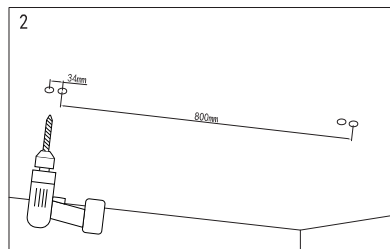
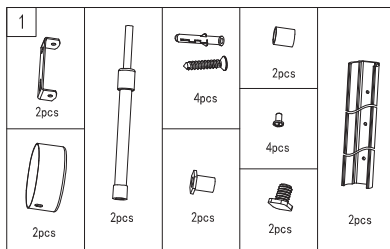
R25 - “—” type adjustable hanging mounting with open PC clips(R25-IA14)



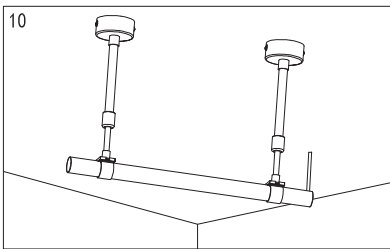
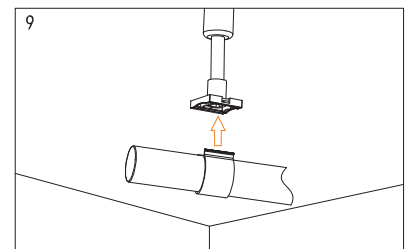
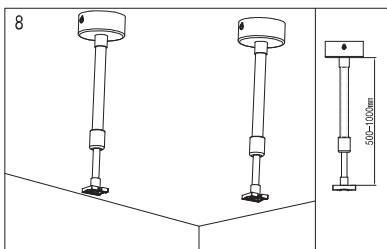
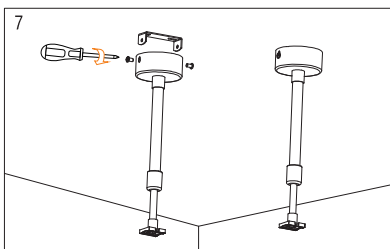
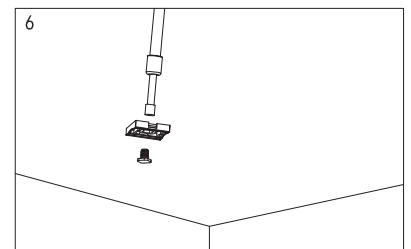
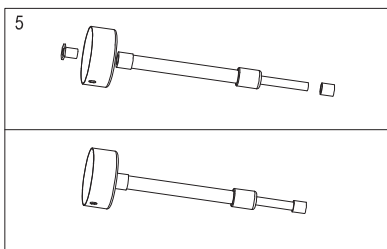
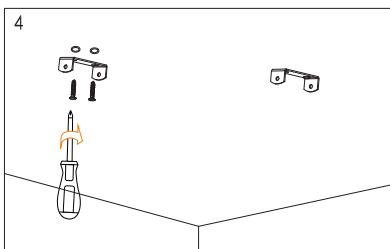
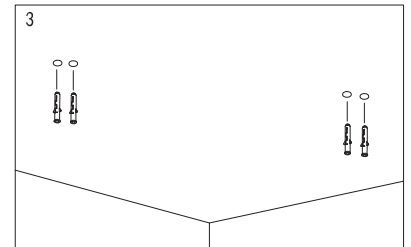
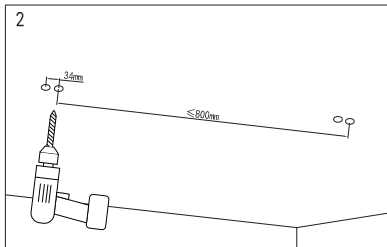
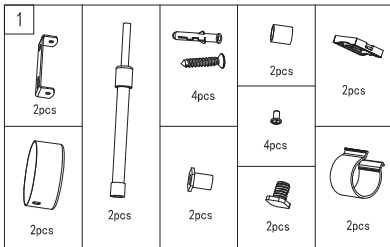
R25 - “—” type adjustable hanging mounting with open PC clips(R25-IA14)



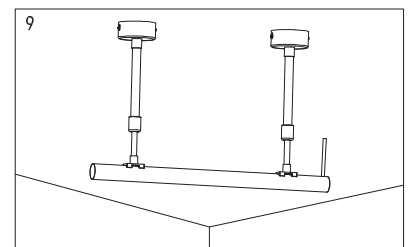
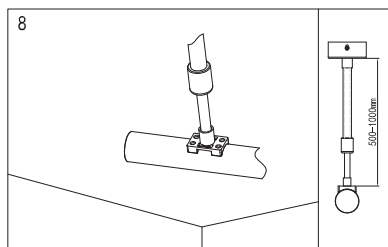
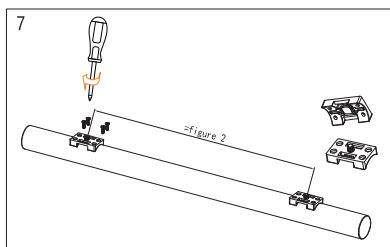
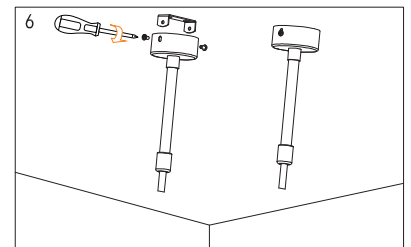
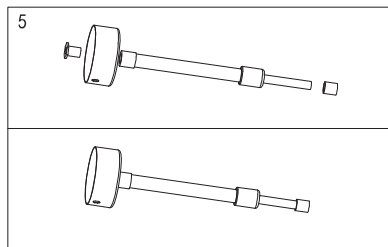
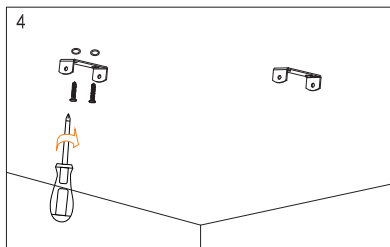
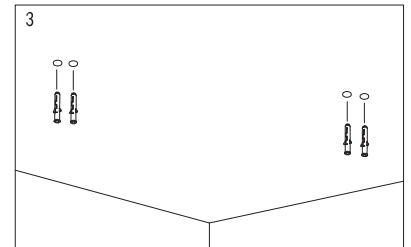
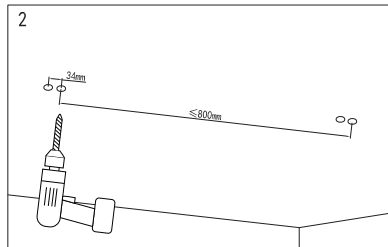
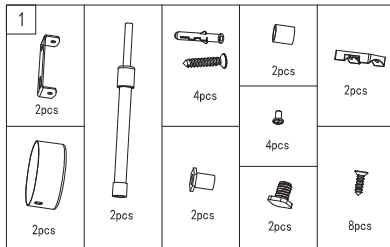
R25 - “—” type adjustable hanging mounting with PC profile(R25-IA15)



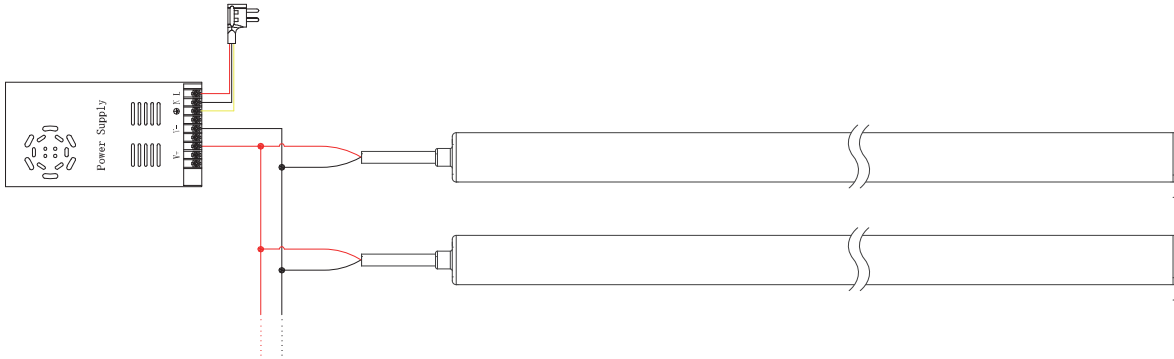
R25 - "—" type adjustable hanging mounting with closed PC clips(R25-IA16)



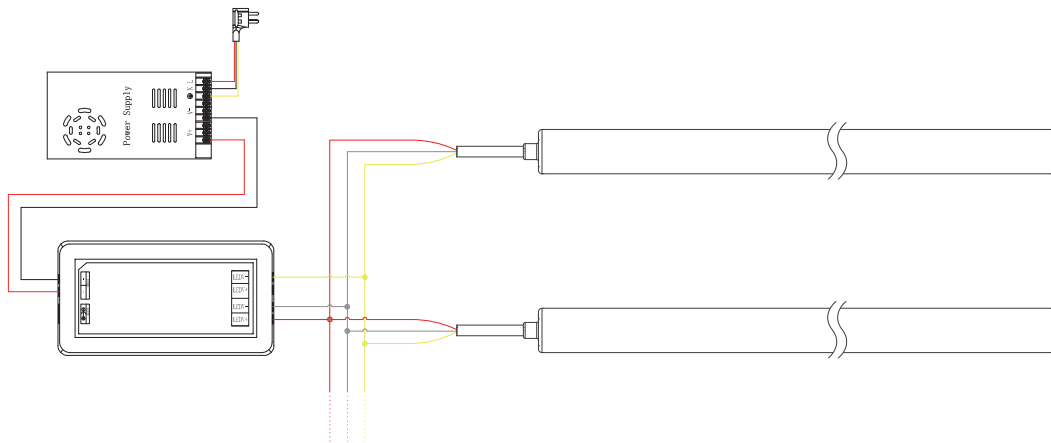
R25 - "—" type adjustable hanging mounting with concealed PC clips(R25-IA17)



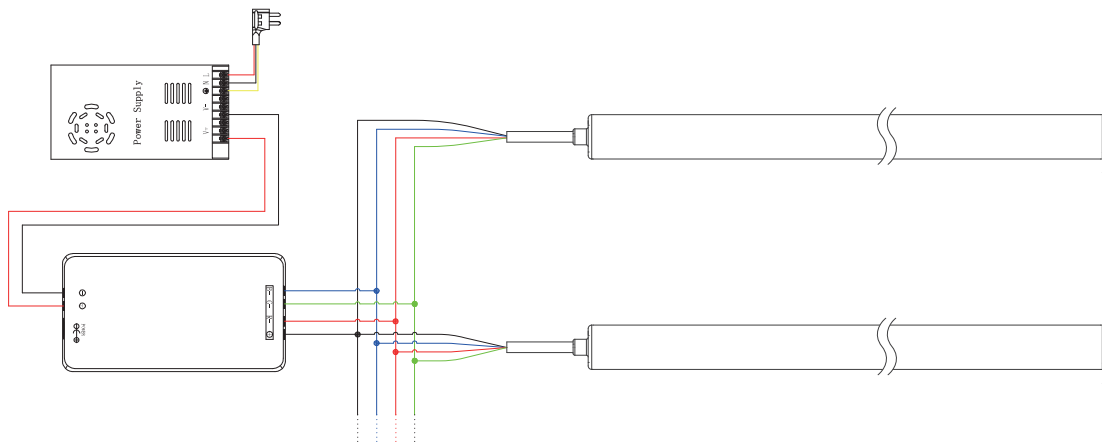
Connection diagram for single color light



Connection diagram for tunable white light

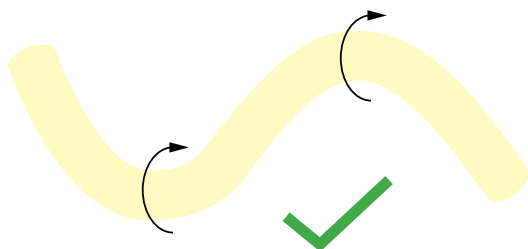


Connection diagram for RGB

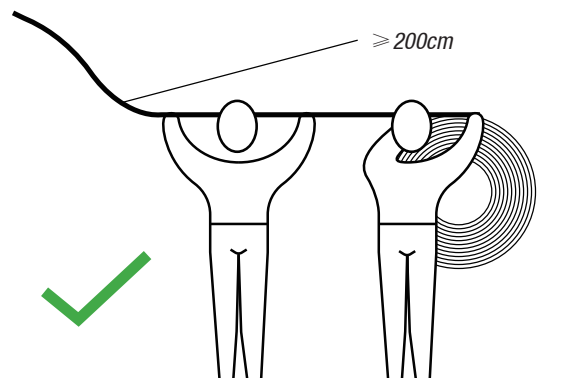


Installation/Use Precautions

- ◆ The unopened products and the unused products after unpacking, should be sealed in packaging bags to avoid long-term exposure.
- ◆ Please use DC24V isolated constant voltage switching power supply with ripple voltage less than 5%. Other types of power supply may damage the product or cause other safety risks.
- ◆ In practical application, the power supply should be retained with a 20% allowance (it is recommended to use only 80% power of the power supply) to ensure the stability of the power supply.
- ◆ Professional operators are recommended to wire and connect the power supply. It is strictly prohibited to connect the power supply with electricity in case of electric shock.
- ◆ Please confirm whether the voltage of the power supply is consistent with the voltage of the product before wiring.
- ◆ Please note the positive and negative sides of the power cord and connect them properly.
- ◆ When using multiple power supply, the situation of parallel connection of the positive pole of the power supply should be avoided. It will lead to instability of the power supply system and damage to the product after long-term operation.
- ◆ If the actual length of the application exceeds the specified length, it will lead to the phenomenon of heating and uneven brightness of the strip due to overload.
- ◆ During installation, please avoid twisting or irregular bending of the strip, and avoid any operation that will scratch the strip, otherwise it may cause irreparable damage to the product.
- ◆ In order to ensure the life and reliability of the strip, please ensure that the diameter of the bending should be greater than 200mm.
- ◆ For the sake of eye protection, please avoid looking directly at the illuminated surface for a long time.
- ◆ Non-professionals are strictly prohibited from installing, disassembling or repairing the strip.
- ◆ Do not use any acid or alkaline adhesive to fix the strip (including but not limited to glass glue, etc.)
- ◆ Different levels of waterproof, different use environment. IP65 is not suitable for immersion application.
- ◆ Due to structural differences, the final visual color of the strip will be slightly different for products of different sizes and specifications under the same color temperature value.
- ◆ Due to the difference in structure, the same color temperature value, different size/specification of the strip, their final visual color will be slightly different. Please make confirmation before use.
- ◆ It is forbidden to cut this product to avoid damage to the strip due to improper operation.
- ◆ Customers are not allowed to cut this product by themselves.

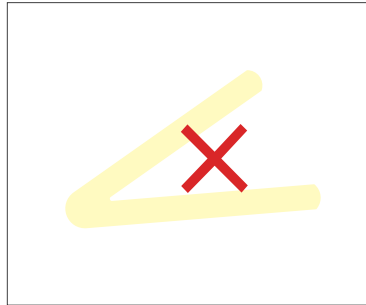


Bending diameter must be greater than 200mm



When the length of the strip is longer than 2 meters, have two people work together to install it.

Installation/Use Precautions



Small Angle bending is prohibited



Prohibit trample

Tests show that formaldehyde and benzene substances will make silicone products yellowing.

If the silicone products are used in the indoor environment of new decoration, epoxy floor paint, wall paint, wallpaper adhesive, all kinds of decoration materials, or new furniture, are likely to release formaldehyde and benzene substances. In order to avoid silicone material affected, it is suggested that the use of the environment after the completion of the new decoration, formaldehyde and benzene should be removed first, or it should be ventilated for a period of time before installing the strip.