

# BATHROOMS CUSTOMIZATION



**OGRAND**

[www.ogrand.com](http://www.ogrand.com)





## ABOUT US

BLUESAILFISH SANITARY WARE CO., LTD. IS LOCATED IN FOSHAN CITY, GUANGDONG PROVINCE, CHINA. CURRENTLY, IT HAS OFFLINE EXHIBITION HALLS IN SHENZHEN AND FOSHAN.

THE SHENZHEN EXHIBITION HALL IS LOCATED AT 2025, PHASE I OF BAILIMA INTERNATIONAL KITCHEN AND BATHROOM CENTER, LUOHU DISTRICT, SHENZHEN.

THE FOSHAN EXHIBITION HALL IS LOCATED AT 133 JIHUA WEST ROAD, FOSHAN CITY. ROOM 1017, BUILDING 2, JINYING LUDAO INTERNATIONAL CENTER.

OUR PRODUCTION BASE IS LOCATED IN JINLI INDUSTRIAL PARK, ZHAOQING, GUANGDONG. IT IS ONLY 30 KILOMETERS AWAY FROM FOSHAN, A FAMOUS HOME FURNISHING AND CERAMIC DISTRIBUTION CENTER, 60 KILOMETERS AWAY FROM GUANGZHOU, AND 190 KILOMETERS AWAY FROM SHENZHEN. THE GEOGRAPHICAL LOCATION IS SUPERIOR AND THE PRODUCTION ENVIRONMENT IS STABLE. WE ARE ONE OF THE EARLIEST FACTORIES IN CHINA TO PRODUCE ARTIFICIAL STONE SANITARY WARE. THE COMPANY

HAS MORE THAN TEN YEARS OF EXPERIENCE IN THE PRODUCTION AND MANUFACTURING OF ARTIFICIAL STONE SANITARY WARE AND MATERIALS. WE REGARD BECOMING THE WORLD'S LARGEST SUPPLIER OF ARTIFICIAL STONE INTEGRATED BASINS AS OUR BRAND VISION, FOCUSING FROM BEGINNING TO END PRODUCT SERVICE AND PRODUCT QUALITY.



## QUALITY OF LIFE

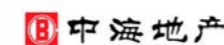
SINCE ITS INCEPTION, BLUESAILFISH HAS BEEN COMMITTED TO PRODUCT RESEARCH AND DEVELOPMENT AND CUSTOMER SERVICE, IMPROVING CUSTOMER SATISFACTION WITH QUALITY AND VALUE, AND CONSTANTLY PURSUING PEOPLE'S HAPPINESS IN BATHROOM LIFE, AND HAS ALWAYS ADHERED TO IT DURING MORE THAN TEN YEARS OF BRAND CHANGES. UNSWERVING.



## STRATEGIC PARTNERSHIP

BLUESAILFISH HAS ARTIFICIAL STONE BATHTUBS, WASHBASINS, KITCHEN SINKS, LAUNDRY TUBS, BASINS SUITABLE FOR THE ELDERLY, COMMERCIAL INTEGRATED BASINS FOR KINDERGARTENS, SHOWER TRAYS, BATHROOM CABINETS AND OTHER ARTIFICIAL STONE BATHROOM CATEGORIES AND HIGH-QUALITY SERVICES. SYSTEM, PROVIDING A PERFECT SPACE SOLUTION, BOOSTING THE

DEVELOPMENT OF REAL ESTATE AND OTHER RELATED INDUSTRIES, AND PROVIDING BETTER QUALITY AND MORE VALUABLE FURNITURE DECORATION MATERIALS FOR HOTEL PROJECTS AROUND THE WORLD.





Energy-saving and Pollutant Emission Reduction  
environmental-friendly

# QUALITY CERTIFICATION

Passed NOA international quality certification

FOR A LONG TIME, WE HAVE STRICTLY IMPLEMENTED THE INTERNATIONAL QUALITY AND ENVIRONMENTAL MANAGEMENT SYSTEM STANDARDS, AND USED THE MOST ADVANCED MANAGEMENT SYSTEM IN THE INDUSTRY TO CREATE COMFORTABLE, HEALTHY AND ENVIRONMENTALLY FRIENDLY SANITARY PRODUCTS FOR CONSUMERS. HIGH-QUALITY RESIN, ALUMINUM POWDER AND ENVIRONMENTALLY FRIENDLY COAGULANT ARE SELECTED

TO PREVENT YELLOWING, STRONG TOUGHNESS AND CRACK RESISTANCE. ARTIFICIAL STONE IS NEITHER REAL STONE NOR CERAMICS, BUT A NEW MATERIAL MADE OF RESIN AND ALUMINUM POWDER. IT FEELS AS WARM AS JADE, BEAUTIFUL AND HIGH-GRADE, STRONGER AND MORE DURABLE THAN REAL STONE, AND MAKES UP FOR THE LACK OF REAL STONE.



OUR SALES PRODUCTS HAVE PASSED THE CORRESPONDING INDUSTRY INSPECTION CERTIFICATION

# LANFRY 蓝非石®

It has been more than half a century since the invention of artificial stone. After many upgrades, it has been highly praised by designers all over the world. It is widely used in home countertops, commercial spaces, indoor and outdoor walls, artistic shapes, medical treatment, furniture, lighting, etc. field.

After more than ten years of formula ratio adjustment and production process improvement, as well as strict screening of raw materials, Lanfei Stone The perfect combination of design and technology has been realized, and a unique series of panels have been created, which are widely used in the overall artificial stone bathroom cabinets of our company, Foshan Blue Saifei Kitchen and Bathroom Co., Ltd.

Blue non-stone is a non-porous material with uniform texture and can be easily welded seamlessly, so our bathroom cabinets The structure is very strong, and can provide non-standard customization.

Sapphire can be thermoformed at a certain temperature, or embossed by thermoplastic embossing technology. Therefore, our styles are changeable and unique in shape.

Lanfeishi has super weather resistance and corrosion resistance, so our bathroom cabinets are not suitable for use in the north where the temperature difference changes greatly. Cracking, not moldy or rot in the humid south, termites and other pests in mountainous areas with insufficient sunlight, It will not be corroded in the coastal high-salt environment, even in medical places with extremely strict requirements on materials, because of It is widely used for its anti-mildew, anti-bacterial and non-bleeding characteristics. Lanfei stone has very good repairability, so after long-term use of our bathroom cabinets, even if there are some scratches Injuries can also be easily repaired with a mild abrasive cleaner (such as

toothpaste) and abrasive cloths. even by cigarette butts In case of burns, there is no need to disassemble the cabinet, and it can be completely renewed through simple on-site operations.

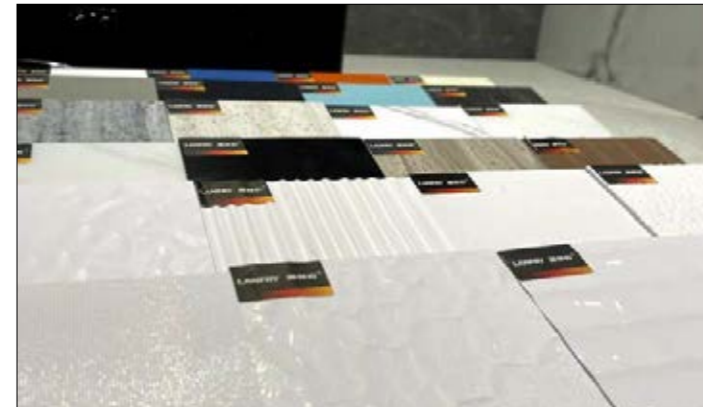
Lanfei stone is wear-resistant, acid-resistant, high-temperature resistant, and has strong impact resistance, compression resistance, flexural resistance, and penetration resistance. The treatment of its deformation, bonding, turning and other parts is unique; because there are no pores on the surface, oil stains and water stains are not It is easy to penetrate into it, so it has strong anti-fouling ability; it can be seamlessly bonded at any length, and the adhesive of the same material will bond two pieces Polished, seamless, no shedding, no aging, no mildew.

## LANFRY STONE MATERIAL BOX

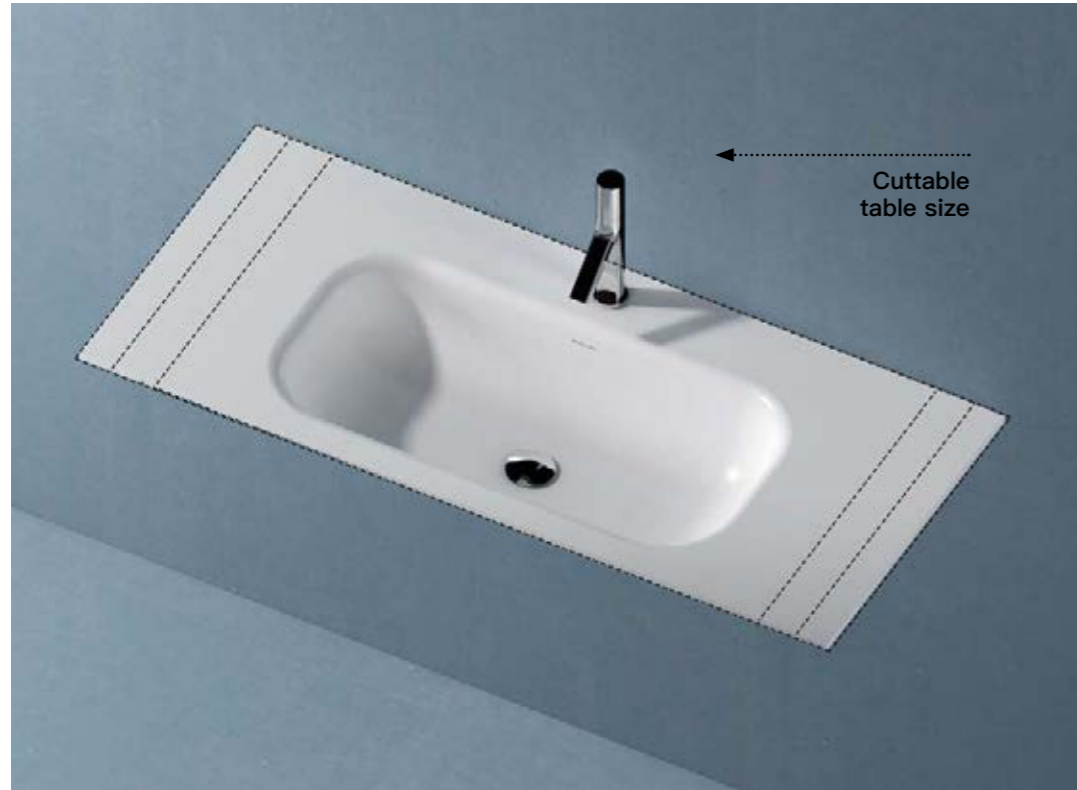
All color cards in this booklet are for reference only, and there may be color differences due to different printing and display equipment. Please refer to the color card for the actual color.

OUR LANFRY-STONE ARTIFICIAL STONE MATERIAL HAS A VARIETY OF SHAPES, AND ALSO COMES WITH VARIOUS COLOR CARDS AND CUSTOMIZED GUIDEBOOKS TO FACILITATE CUSTOMERS TO CHOOSE AND COMPARE. EACH SET OF COLOR CARDS CONSISTS OF AN EXQUISITE ALUMINUM BOX, A WHOLE BODY COLOR CARD, A CRAFT PATTERN COLOR CARD, A WHOLE BODY PATTERN PLATE COLOR CARD, AND BATHROOM CUSTOMIZED INSTRUCTIONS.

IT CONSISTS OF A GUIDEBOOK, BLUE NON-STONE BATHROOM CABINET MANUAL, AND THREE FOLDED PAGES OF BRUCE FEI SANITARY WARE. THE UPPER COVER OF THE ALUMINUM BOX WILL HAVE TWO COLOR BLOCKS OF MATTE WHITE AND BRIGHT WHITE. IT IS CONVENIENT FOR YOU TO CHOOSE TO COMPARE.



# Artificial stone seamless splicing process



Formed one-piece basins are usually white glossy, white skin-feeling matte or one-piece solid color (refer to the color card).  
If the countertop chooses a full-body pattern board. Then use white or other solid colors for pot gallbladder.  
The standard non-standard color integrated basin can only be cut short, and cannot be lengthened or widened

### Materials

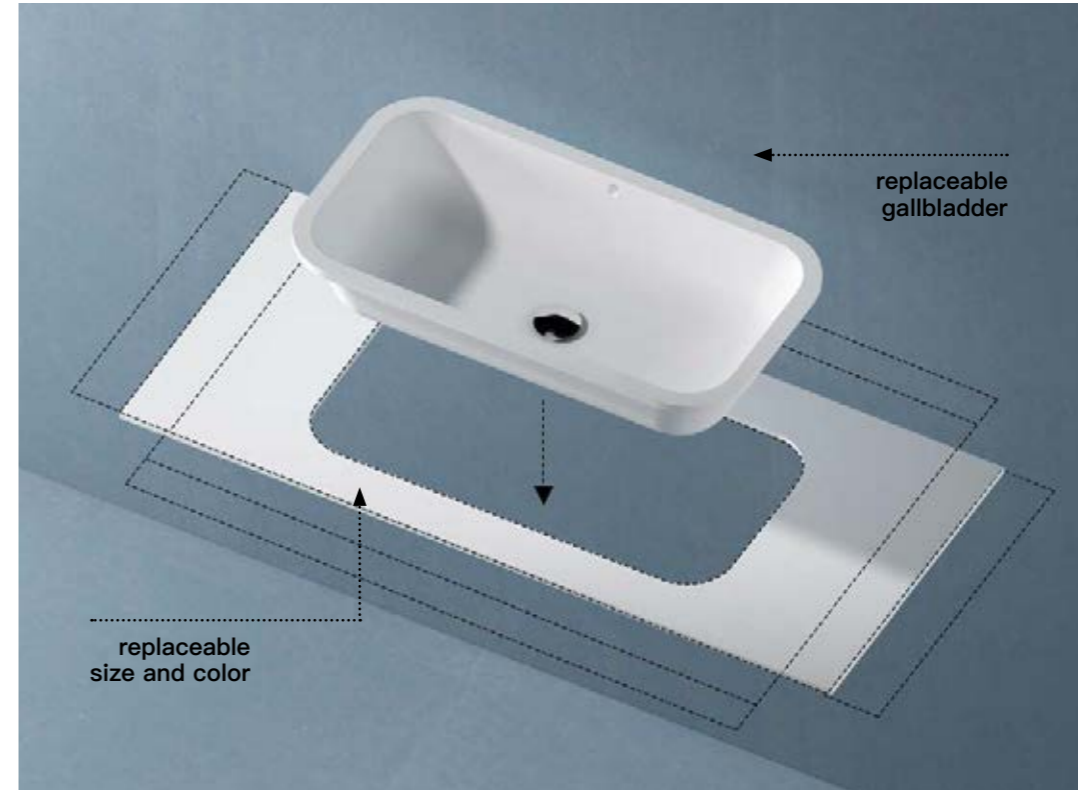
**LANFRY 蓝石**  
Artificial Stone | White Gloss, Matte, Color,

### INTEGRAL CASTING

CASTING INTEGRATED POTS IS THE MOST COMMON ARTIFICIAL STONE PRODUCTION PROCESS. USUALLY, FACTORIES WILL MAKE MULTI-SIZED INTEGRATED POT MOLDS BY ADDING MINERAL-FILLED POLYMER COMPOSITE MATERIALS TO THE MOLDS. IT IS PRODUCED BY POLYMERIZATION OF NATURAL ORE POWDER (ALUMINUM POWDER), HIGH-PERFORMANCE RESIN AND NATURAL PIGMENTS, TREATED AT HIGH TEMPERATURE AND HIGH PRESSURE, AND THEN MANUALLY POLISHED.

THE INTEGRATED ARTIFICIAL STONE BASIN HAS THE ADVANTAGES OF FAST PRODUCTION AND PROCESSING SPEED AND HIGH OUTPUT. AT THE SAME TIME, IT CAN ALSO PERFORM SECONDARY PROCESSING ON THE COUNTERTOP BY CUTTING CORNERS AND CUTTING SHORT TO MEET THE NEEDS OF DIFFERENT SCENARIOS.

# Artificial stone seamless splicing process



Formed one-piece basins are usually white glossy, white skin-feeling matte or one-piece solid color (refer to the color card).  
If the countertop chooses a full-body pattern board. Then use white or other solid colors for pot gallbladder.  
The standard non-standard color integrated basin can only be cut short, and cannot be lengthened or widened

### Materials

**LANFRY 蓝石**  
Artificial Stone | White Gloss, Matte, Color,

### SEPARATE POURING, SEAMLESS SPLICING

SEPARATE POURING AND SEAMLESS SPLICING ARE ALSO ONE OF THE PRODUCTION PROCESSES OF ARTIFICIAL STONE INTEGRATED BASINS. THE FAMOUS DUPONT CORIAN ARTIFICIAL STONE INTEGRATED BASINS ALSO HAVE THE SAME PRODUCTION PROCESS. ONE, AND THEN PRODUCED BY MANUAL GRINDING AND POLISHING. THE ARTIFICIAL STONE INTEGRATED BASIN FORMED BY SEAMLESS SPLICING HAS A VERY HIGH DEGREE OF CUSTOMIZATION FREEDOM, AND IT IS COMPLETELY POSSIBLE TO MAKE INTEGRATED BASINS OF DIFFERENT SIZES AND COLORS ACCORDING TO NEEDS.

# Manual stitching craft series

Formed one-piece basins are usually white glossy, white skin-feeling matte or one-piece solid color (refer to the color card).  
If the countertop chooses a full-body pattern board. Then use white or other solid colors for pot gallbladder.  
The standard non-standard color integrated basin can only be cut short, and cannot be lengthened or widened

### Materials

**LANFRY 蓝石**  
Artificial Stone | White Gloss, Matte, Color,



### HAND SPLICING AND MOLDING

CASTING INTEGRATED POTS IS THE MOST COMMON ARTIFICIAL STONE PRODUCTION PROCESS. USUALLY, WHEN ENCOUNTERING VERY EXTREME SIZES AND COMMON MOLD POTS CANNOT MEET THE NEEDS, THIS HAND-SPLICED POT IS SELECTED.  
MANUALLY SPLICING BASINS REQUIRES THE DESIGNER TO PROVIDE ACCURATE COUNTERTOP AND BASIN TANK DIMENSIONS, AND THEN CUT AND GROOVE THE PLATES THROUGH CNC NUMERICAL CONTROL, AND FINALLY SPLICE THEM INTO ONE BASIN BY HAND.  
THE HAND-SPLICED INTEGRATED BASIN HAS THE HIGHEST DEGREE OF CUSTOMIZATION FREEDOM. IT CAN FREELY SPLICE PATTERNS, MOLD BASINS, AND MEET SOME SPECIAL NON-STANDARD SIZES. IT IS COMMON IN VARIOUS TOOLING AND SMALL APARTMENT SCENES.



PATTERNED ARTIFICIAL STONE MOSAIC WHITE WASH BASIN



PATTERN ARTIFICIAL STONE MOSAIC BASIN



SKIN FEELING ARTIFICIAL STONE INTEGRATED BASIN

# Customization Process Guide

Formed one-piece basins are usually white glossy, white skin-feeling matte or one-piece solid color (refer to the color card).  
If the countertop chooses a full-body pattern board. Then use white or other solid colors for pot gallbladder.  
The standard non-standard color integrated basin can only be cut short, and cannot be lengthened or widened



## STEP 1

IN THE CONVENTIONAL ONE-PIECE BASIN IN THE PRODUCT CATALOG, SELECT THE APPROPRIATE ONE, AND COMPARE THE ON-SITE SIZE. IF IT MATCHES, YOU CAN DIRECTLY SELECT THE CORRESPONDING MODEL ONE-PIECE BASIN.



## STEP 2

IF IT DOES NOT MATCH, IT NEEDS TO BE SHORTENED, CUT CORNERS, MEASURE THE ON-SITE SIZE, MARK THE TABLE SIZE IN CAD AND INFORM CUSTOMER SERVICE. GENERALLY, THE DISTANCE BETWEEN THE BASIN AND THE WALL IS 100-120MM, AND THE DISTANCE BETWEEN THE FRONT AND THE FRONT IS 50-90MM, WHICH IS MORE REASONABLE.



## STEP 3

IF YOU NEED TO CHANGE THE COLOR, PLEASE NOTE IN ADVANCE TO INFORM THE CUSTOMER SERVICE.



## STEP 4

THE COUNTERTOP CAN ALSO BE THICKENED, AND THE PRICE IS CALCULATED ACCORDING TO THE NON-STANDARD SIZE.

## SPECIAL CASE

IF THE SIZE OF THE COUNTERTOP IS VERY SPECIAL AND THE EXISTING BASIN CANNOT BE USED, YOU CAN CHOOSE THE SEAMLESS SPLICING SERIES, AND THE SIZE OF THE COUNTERTOP IS NOT LIMITED.

# Artificial Stone A Series Wash Basin



This icon indicates that the product is in the customizable range. Physical size can be customized according to need.



A SERIES WASH BASIN (80/100/120)

WE BELIEVE THAT THE SPIRIT OF ALL THINGS SHOULD NOT ONLY CONFORM TO NATURE BUT ALSO BE HUMAN-ORIENTED, AND THE MOST SUITABLE IS THE MOST BEAUTIFUL. MAN-MADE SPACE DOMINATES THE DESIGN OF SPACE VARIES FROM PERSON TO PERSON. WITH UNIQUE DESIGN, SIMPLE AND CLEAR LINES, THE ELEGANT DESIGN IS NOT RESTRICTED BY ANY ERA AND TREND. THE ELEGANT Demeanor THAT IS DIFFERENT FROM THE SECULAR VISION MAKES THE BATHROOM LIFE FULL OF CHARM.

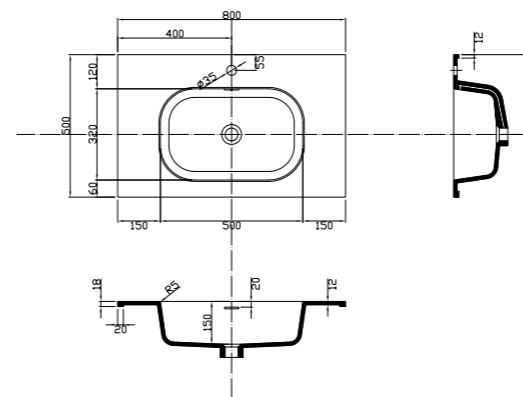


WITH CABINET



A80 SERIES INTEGRATED BASIN

### Washbasin Size



### Materials

LANFRY 蓝律石  
Artificial Stone | White Gloss, Matte, Color,

# Artificial Stone A Series Wash Basin



This icon indicates that the product is in the customizable range. Physical size can be customized according to need.



WITH CABINET



A100 SERIES INTEGRATED BASIN

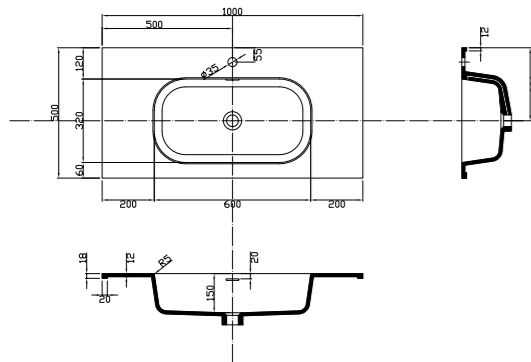


WITH CABINET



A120 SERIES INTEGRATED BASIN

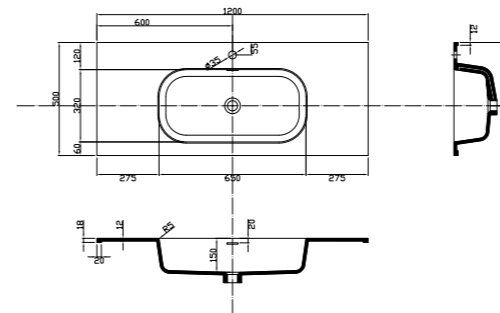
**Washbasin Size**



**Materials**

**LANFRY 蓝律石**  
Artificial Stone | White Gloss, Matte, Color,

**Washbasin Size**



**Materials**

**LANFRY 蓝律石**  
Artificial Stone | White Gloss, Matte, Color,

# Artificial Stone D Series Wash Basin



This icon indicates that the product is in the customizable range. Physical size can be customized according to need.



D SERIES WASH BASIN (80/100)

GET RID OF THE GLITZ, WEAVE IT WITH NATURAL ELEMENTS, AND BUILD ELEGANCE, MAGNIFICENCE AND DIGNITY INTO THE STORY OF LIFE, TOUCHING PEOPLE'S HEARTS. THERE ARE NO DAZZLING COLORS, BUT IT REVEALS A KIND OF CALMNESS AND CALMNESS. THE NATURAL TEXTURE DERIVED FROM FASHION IS LIKE FALLING INTO A DREAM. ROMANCE AND RATIONALITY ARE INTERTWINED, INCLUSIVE, REFINED AND OUTSTANDING, FOCUSING ON THE PRINCIPLE OF TASTE, REVEALING A NOBLE AND INFINITE Demeanor.

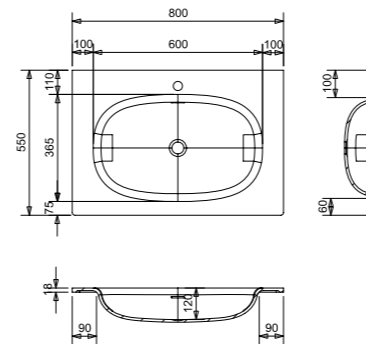


WITH CABINET



D80 SERIES WASH BASIN

### Washbasin Size



### Materials

LANFRY 蓝律石  
Artificial Stone | White Gloss, Matte, Color,

# Artificial Stone D Series Wash Basin



This icon indicates that the product is in the customizable range. Physical size can be customized according to need.



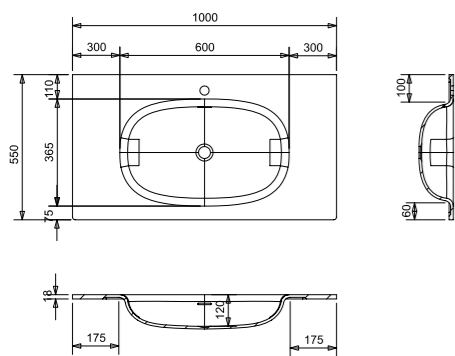
WITH CABINET



D100 SERIES WASH BASIN



## Washbasin Size



## Materials

**LANFRY 蓝律石**  
Artificial Stone | White Gloss, Matte, Color,

# Artificial Stone S Series Wash Basin



This icon indicates that the product is in the customizable range. Physical size can be customized according to need.



S SERIES WASH BASIN (80/100/120)

ONE FLOWER ONE WORLD, ONE DANCE ONE HEAVEN. LIKE A GREEN LOTUS DANCER DANCING IN THE POOL, THE CLEAR AND CLEAR OUTLINE, THE SOFT AND ROUND BODY POSTURE, THE CONTAGIOUS TEXTURE, ELEGANCE, FASHION, AND EXTRAORDINARY TASTE EXPERIENCE, DEDUCE THE SPIRIT OF WATER DANCE CULTURE, AND CREATE BEAUTIFUL MUSIC. WATER LIFE.

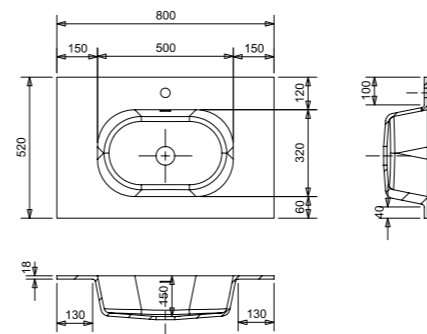


WITH CABINET



S80 SERIES WASH BASIN

### Washbasin Size



### Materials

LANFRY 蓝律石  
Artificial Stone | White Gloss, Matte, Color,

# Artificial Stone S Series Wash Basin



This icon indicates that the product is in the customizable range. Physical size can be customized according to need.



WITH CABINET



S100 SERIES WASH BASIN

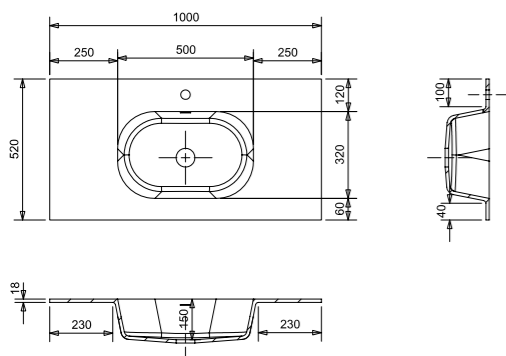


WITH CABINET



S120 SERIES WASH BASIN

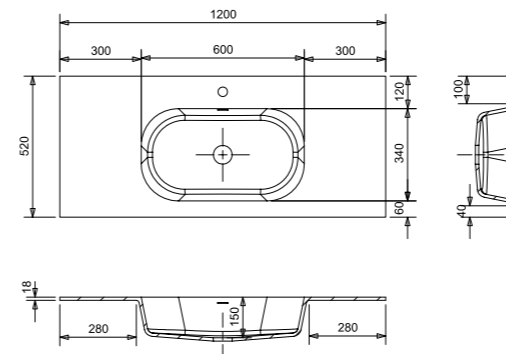
**Washbasin Size**



**Materials**

**LANFRY 蓝律石**  
Artificial Stone | White Gloss, Matte, Color,

**Washbasin Size**



**Materials**

**LANFRY 蓝律石**  
Artificial Stone | White Gloss, Matte, Color,

# Artificial Stone M Series Wash Basin



This icon indicates that the product is in the customizable range. Physical size can be customized according to need.



M SERIES WASH BASIN (80/100/120/140/160)

THE SOURCE OF INSPIRATION COMES FROM A DEEP UNDERSTANDING OF THE ART OF LIFE. ONLY PURE BEAUTY AND UNIQUE DESIGN CAN TOUCH THE SOUL. INGENUITY, NOBLE COLLECTION, RESTRAINED LUXURY, PERFECT COMBINATION OF ART AND LIFE, BLUESAILFISH BATHROOM TO IMPLEMENT THE UNSWERVING BOUTIQUE REQUIREMENTS CHOOSE THE MAIN MATERIAL TO CREATE A PERFECT BATHROOM SPACE.

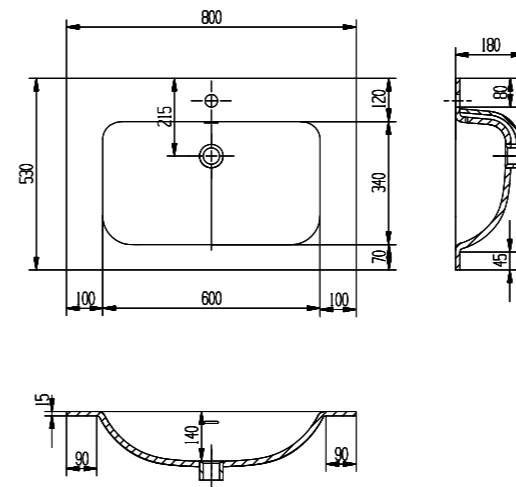


WITH CABINET



M80 SERIES WASH BASIN

**Washbasin Size**



**Materials**

LANFRY 蓝伊石  
Artificial Stone | White Gloss, Matte, Color,

# Artificial Stone M Series Wash Basin



This icon indicates that the product is in the customizable range. Physical size can be customized according to need.



WITH CABINET



M100 SERIES WASH BASIN

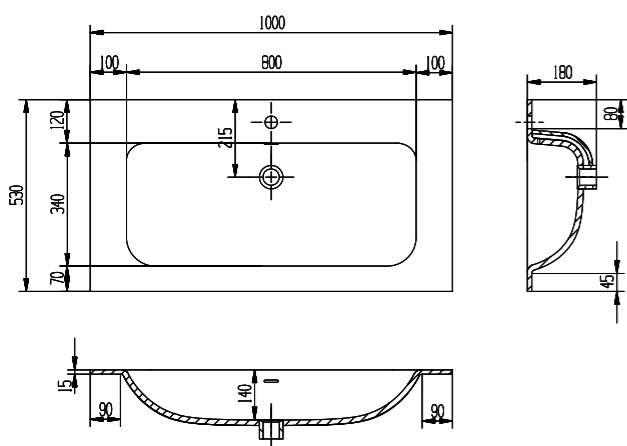


WITH CABINET



M120 SERIES WASH BASIN

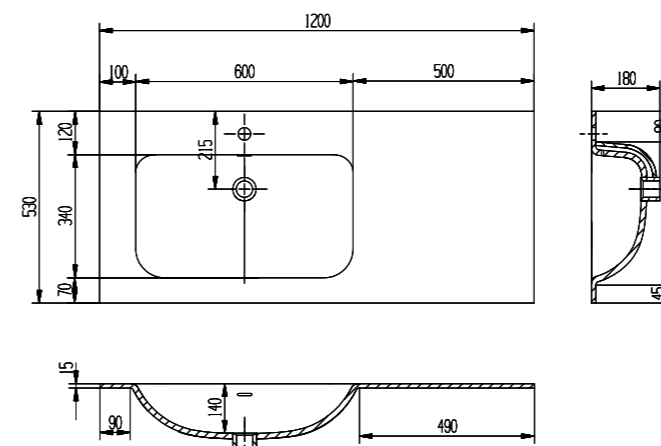
**Washbasin Size**



**Materials**

**LANFRY 蓝律石**  
Artificial Stone | White Gloss, Matte, Color,

**Washbasin Size**



**Materials**

**LANFRY 蓝律石**  
Artificial Stone | White Gloss, Matte, Color,

# Artificial Stone M Series Wash Basin



This icon indicates that the product is in the customizable range. Physical size can be customized according to need.



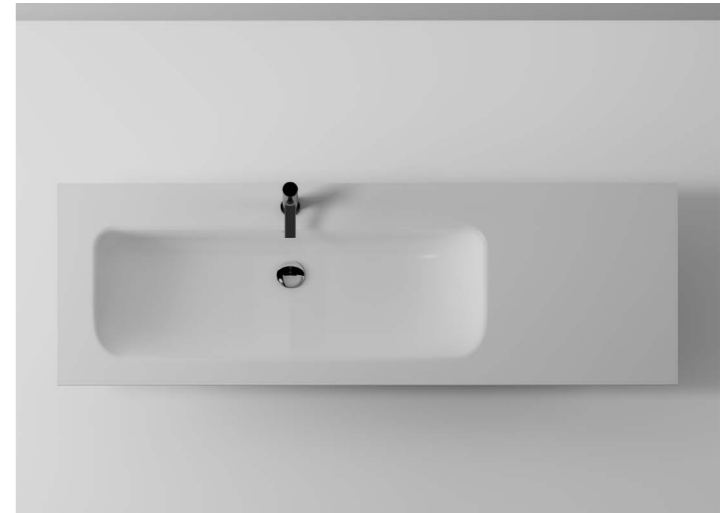
WITH CABINET



M140 SERIES WASH BASIN

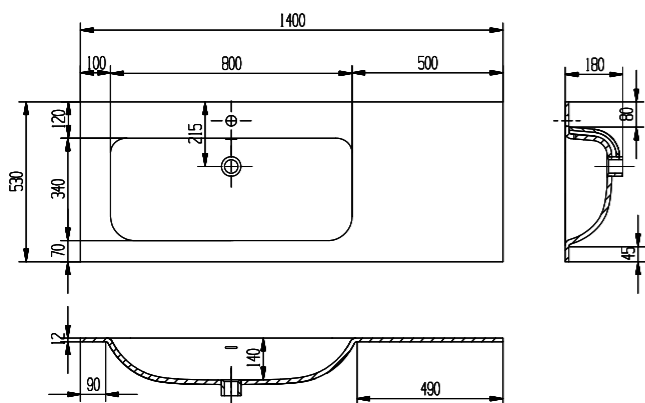


WITH CABINET



M160 SERIES WASH BASIN

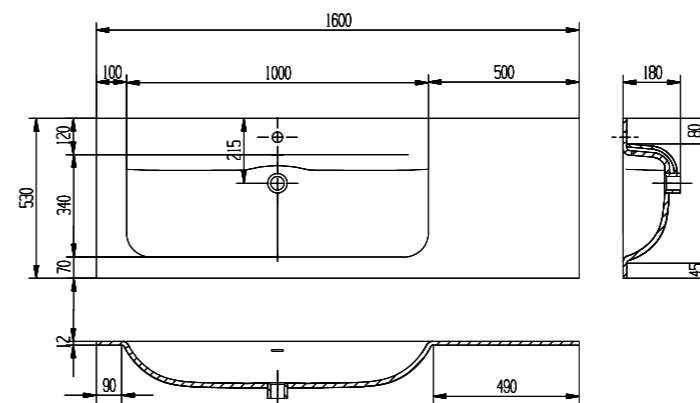
**Washbasin Size**



**Materials**

LANFRY 蓝律石  
Artificial Stone | White Gloss, Matte, Color,

**Washbasin Size**



**Materials**

LANFRY 蓝律石  
Artificial Stone | White Gloss, Matte, Color,

# Artificial Stone H Series Wash Basin



This icon indicates that the product is in the customizable range. Physical size can be customized according to need.



H SERIES WASH BASIN (80/100/120/120L/160L/200/200L)

PURE CARE, TO CONSIDERATE CARE, IS WORTH A THOUSAND WORDS. THE SLENDER AND UNIFORM APPEARANCE, THE DELICATE AND TEXTURED CONNOTATION, NOT LUXURIOUS OR OSTENTATIOUS, SHRINKS THE WARMTH INTO THE ONLY SOFT WATER EXPERIENCE, STORES THE ONLY SOFT WATER EXPERIENCE IN THE SEA OF HEARTS, AND LEAVES A LITTLE MORE SPACE TO LET THAT WARM SUN-LIKE WARMTH REVERBERATES FROM HEART TO HEART.

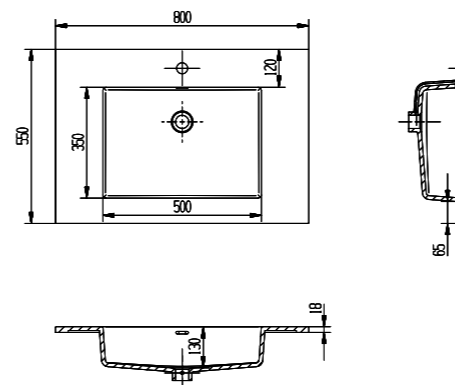


WITH CABINET



H80 SERIES WASH BASIN

### Washbasin Size



### Materials

LANFRY 蓝律石  
Artificial Stone | White Gloss, Matte, Color,

# Artificial Stone H Series Wash Basin



This icon indicates that the product is in the customizable range. Physical size can be customized according to need.



WITH CABINET



H100 SERIES WASH BASIN



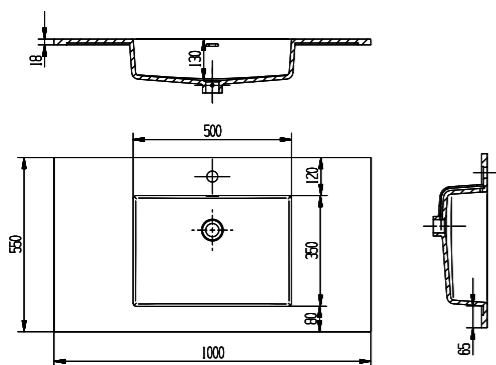
WITH CABINET



H120 SERIES WASH BASIN



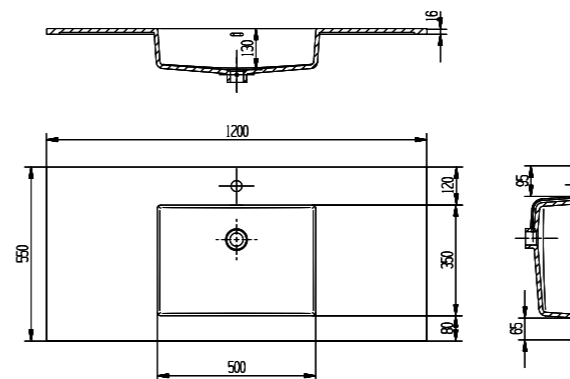
### Washbasin Size



### Materials

LANFRY 蓝律石  
Artificial Stone | White Gloss, Matte, Color,

### Washbasin Size



### Materials

LANFRY 蓝律石  
Artificial Stone | White Gloss, Matte, Color,

# Artificial Stone H Series Wash Basin



This icon indicates that the product is in the customizable range. Physical size can be customized according to need.



WITH CABINET



H120L SERIES WASH BASIN



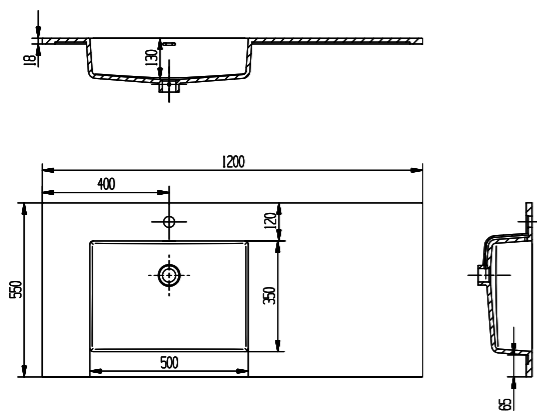
WITH CABINET



H160L SERIES WASH BASIN



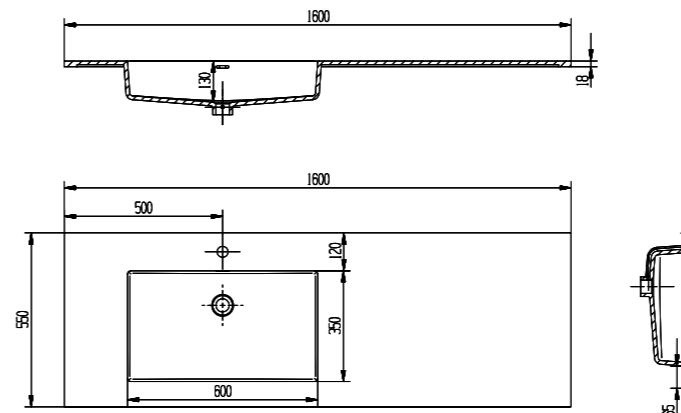
**Washbasin Size**



**Materials**

LANFRY 蓝律石  
Artificial Stone | White Gloss, Matte, Color,

**Washbasin Size**



**Materials**

LANFRY 蓝律石  
Artificial Stone | White Gloss, Matte, Color,

# Artificial Stone H Series Wash Basin



This icon indicates that the product is in the customizable range. Physical size can be customized according to need.



WITH CABINET



H200L SERIES WASH BASIN



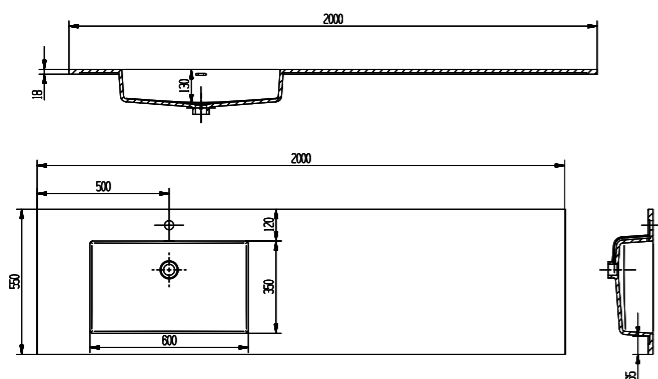
WITH CABINET



H200 SERIES WASH BASIN



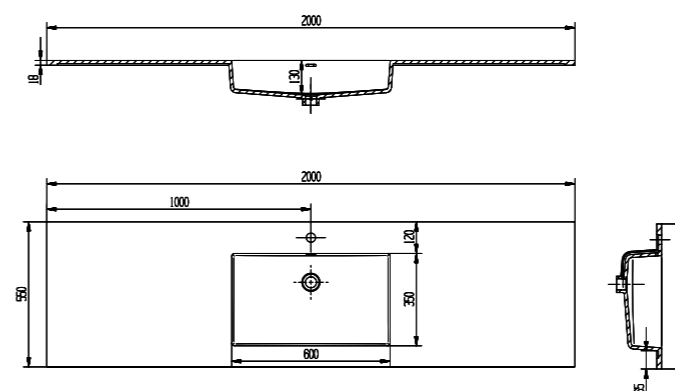
### Washbasin Size



### Materials

LANFRY 蓝律石  
Artificial Stone | White Gloss, Matte, Color,

### Washbasin Size



### Materials

LANFRY 蓝律石  
Artificial Stone | White Gloss, Matte, Color,

# Artificial Stone T Series Wash Basin



This icon indicates that the product is in the customizable range. Physical size can be customized according to need.



T SERIES WASH BASIN (580/1000/1200)

IN THE SHINING AND LONELY CITY, WE CHOOSE AN UPWARD LIFESTYLE. WE HUNT FOR THE PURE AND BEAUTIFUL QUALITY OF LIFE, AND WE CALL FOR THE LIVING SPACE OF THE SOUL. ELEGANT PRESENTATION OF DOTS, LINES AND SURFACES, CLASSIC AND FREEHAND LIFE. WHILE THE SIMPLE DESIGN ENSURES COMPLETE AND PRACTICAL FUNCTIONS, THE BATHROOM LIFE IS COMFORTABLE AND DRIPPING, AND GUITIAN'S METICULOUS CARE IS REFLECTED IN THE DETAILS.

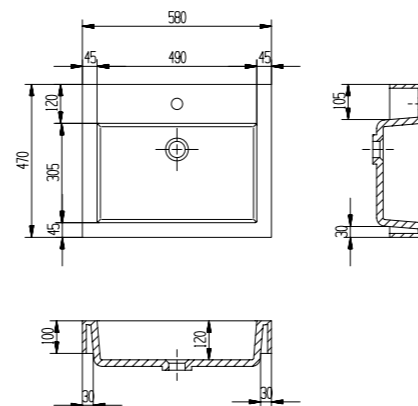


WITH CABINET



T580 SERIES WASH BASIN

### Washbasin Size



### Materials

LANFRY 蓝律石  
Artificial Stone | White Gloss, Matte, Color,

# Artificial Stone T Series Wash Basin



This icon indicates that the product is in the customizable range. Physical size can be customized according to need.



WITH CABINET



T1000 SERIES WASH BASIN



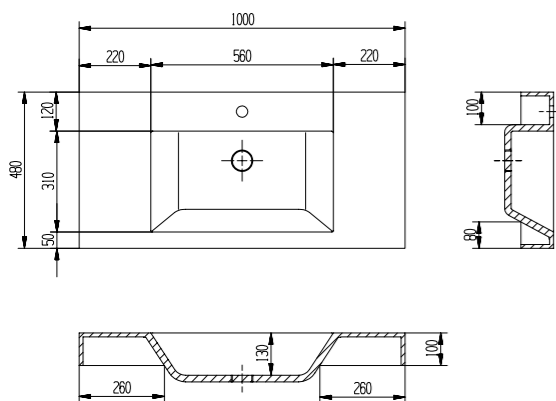
WITH CABINET



T1200 SERIES WASH BASIN



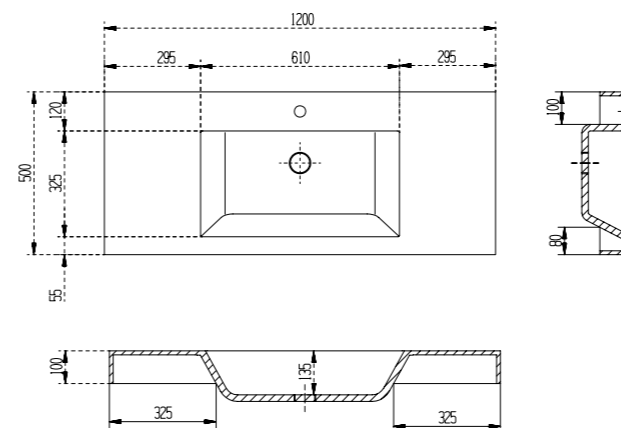
**Washbasin Size**



**Materials**

**LANFRY 蓝律石**  
Artificial Stone | White Gloss, Matte, Color,

**Washbasin Size**



**Materials**

**LANFRY 蓝律石**  
Artificial Stone | White Gloss, Matte, Color,

# Artificial Stone F Series Wash Basin



This icon indicates that the product is in the customizable range. Physical size can be customized according to need.



F SERIES WASH BASIN (80/100/120)

THERE IS A SENSE OF COMFORT, WHICH FLOWS QUIETLY IN THE INTERWOVEN GAPS OF EVERY DETAIL, AND THE COMFORT OF THE BATHROOM COMES FROM THE LOVE AND CARE OF THE OWNER. LIFE IS FOR COMFORT AND TO FIND THE SOURCE OF LIVING WATER. IT IS NOT A BATTLE OF ROUTES, NOR IS IT EGOTISTICAL IN CONTENT. ONLY YOU KNOW THE FEELING OF NATURAL FASHION FIRST.

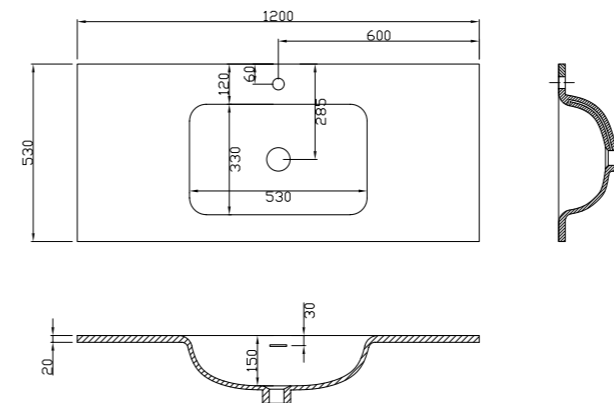


WITH CABINET



F120 SERIES WASH BASIN

### Washbasin Size



### Materials

LANFRY 蓝伊石  
Artificial Stone | White Gloss, Matte, Color,

# Artificial Stone F Series Wash Basin



This icon indicates that the product is in the customizable range. Physical size can be customized according to need.



WITH CABINET



F160 SERIES WASH BASIN



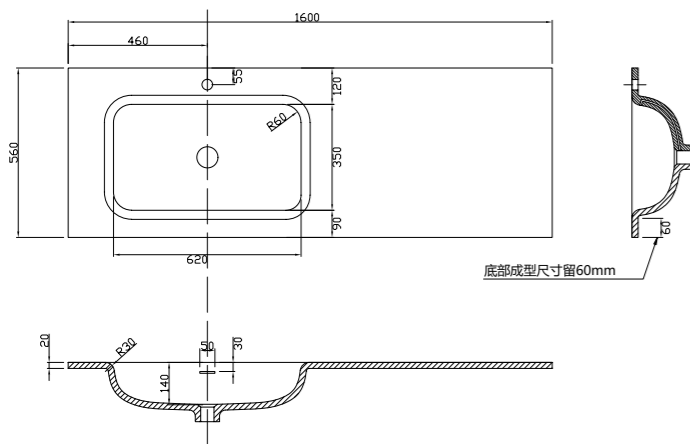
WITH CABINET



F180 SERIES WASH BASIN



## Washbasin Size

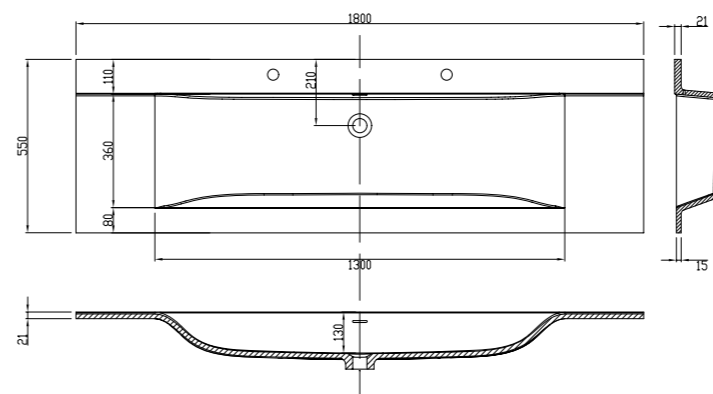


## Materials

LANFRY 蓝律石  
Artificial Stone | White Gloss, Matte, Color,

成型产品做实心20mm厚度

## Washbasin Size



## Materials

LANFRY 蓝律石  
Artificial Stone | White Gloss, Matte, Color,

# Artificial Stone F Series Wash Basin



This icon indicates that the product is in the customizable range. Physical size can be customized according to need.

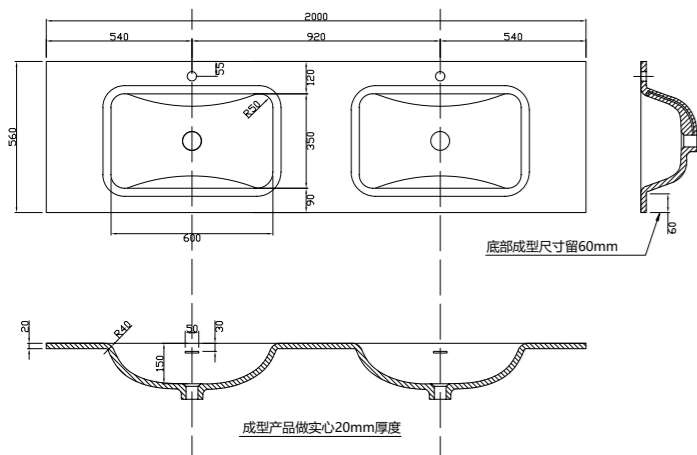


WITH CABINET



F200 SERIES WASH BASIN

## Washbasin Size



## Materials

**LANFRY 蓝律石**  
Artificial Stone | White Gloss, Matte, Color,

# Artificial stone water barrier Series Wash Basin



This icon indicates that the product is in the customizable range. Physical size can be customized according to need.



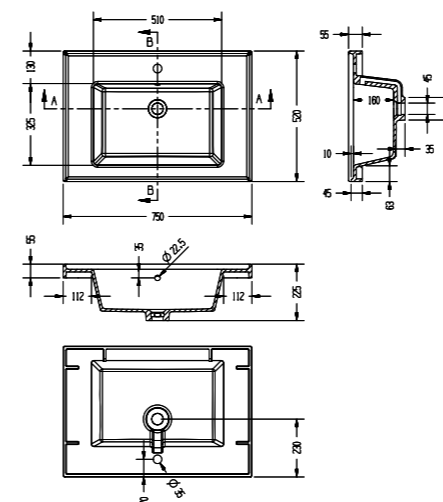
WATER BARRIER SERIES WASH BASIN

WE BELIEVE THAT THE SPIRIT OF ALL THINGS SHOULD NOT ONLY CONFORM TO NATURE BUT ALSO BE HUMAN-ORIENTED, AND THE MOST SUITABLE IS THE MOST BEAUTIFUL. MAN-MADE SPACE DOMINATES THE DESIGN OF SPACE VARIES FROM PERSON TO PERSON. WITH UNIQUE DESIGN, SIMPLE AND CLEAR LINES, THE ELEGANT DESIGN IS NOT RESTRICTED BY ANY ERA AND TREND. THE ELEGANT Demeanor THAT IS DIFFERENT FROM THE SECULAR VISION MAKES THE BATHROOM LIFE FULL OF CHARM.



WATER BARRIER SERIES 750X520

### Washbasin Size



### Materials

LANFRY 蓝律石  
Artificial Stone | White Gloss, Matte, Color,

# Artificial stone water barrier Series Wash Basin



This icon indicates that the product is in the customizable range. Physical size can be customized according to need.

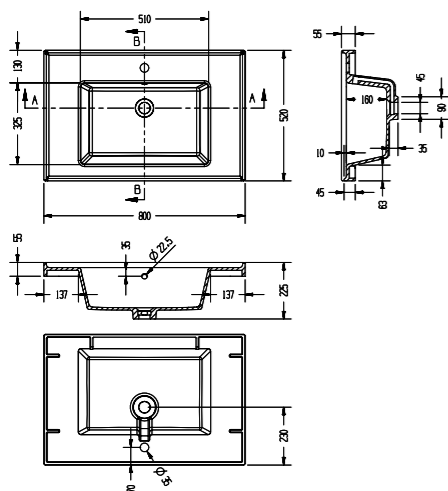


WATER BARRIER SERIES 800x520



WATER BARRIER SERIES 840x520R

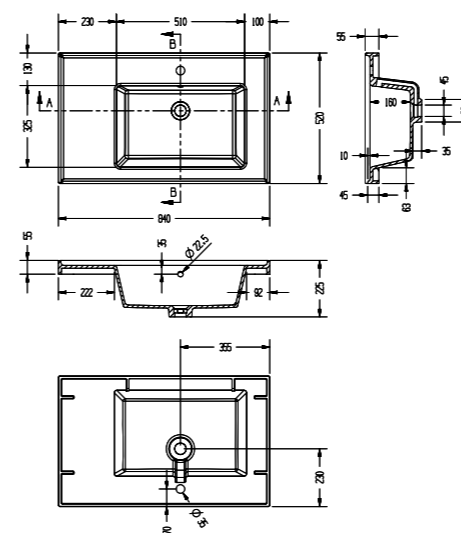
### Washbasin Size



### Materials

LANFRY 蓝律石  
Artificial Stone | White Gloss, Matte, Color,

### Washbasin Size



# Artificial stone water barrier Series Wash Basin



This icon indicates that the product is in the customizable range. Physical size can be customized according to need.

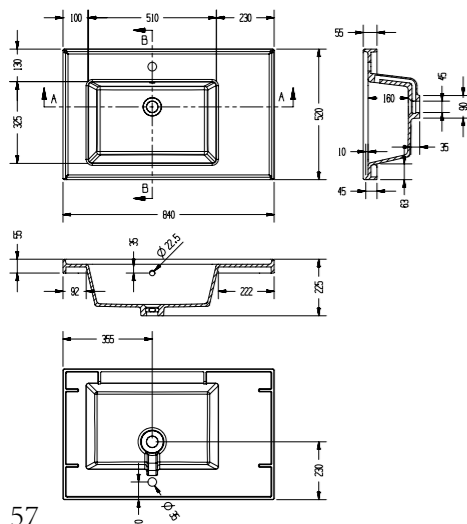


WATER BARRIER SERIES 840x520L



WATER BARRIER SERIES 850x520

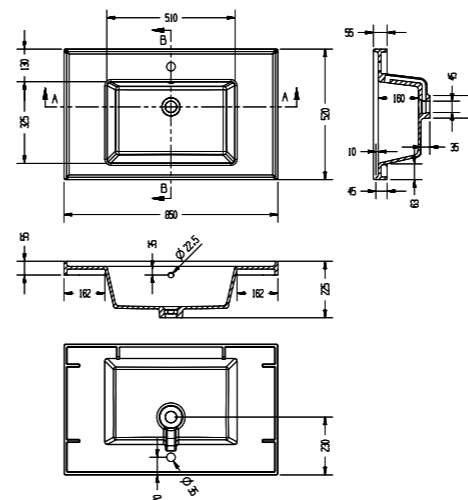
### Washbasin Size



### Materials

LANFRY 蓝律石  
Artificial Stone | White Gloss, Matte, Color,

### Washbasin Size



### Materials

LANFRY 蓝律石  
Artificial Stone | White Gloss, Matte, Color,

# Artificial stone water barrier Series Wash Basin



This icon indicates that the product is in the customizable range. Physical size can be customized according to need.

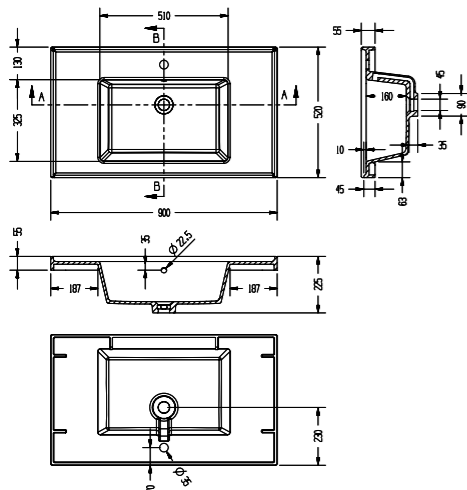


WATER BARRIER SERIES 900x520



WATER BARRIER SERIES 940x520R

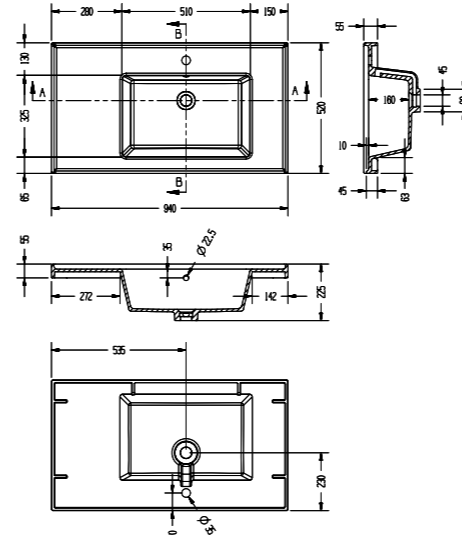
## Washbasin Size



## Materials

**LANFRY 蓝律石**  
Artificial Stone | White Gloss, Matte, Color,

## Washbasin Size



## Materials

**LANFRY 蓝律石**  
Artificial Stone | White Gloss, Matte, Color,

# Artificial stone water barrier Series Wash Basin



This icon indicates that the product is in the customizable range. Physical size can be customized according to need.

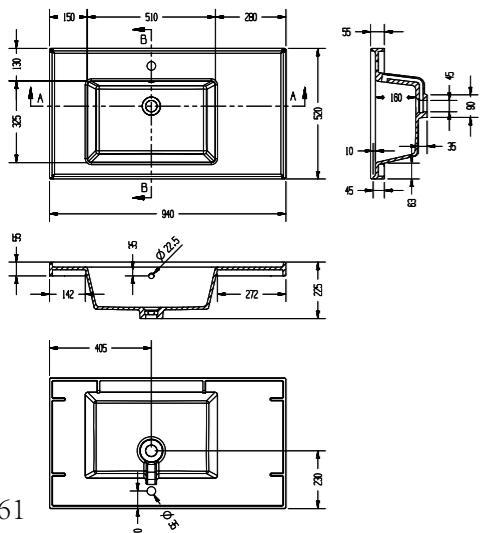


WATER BARRIER SERIES 940x520L



WATER BARRIER SERIES 950x520

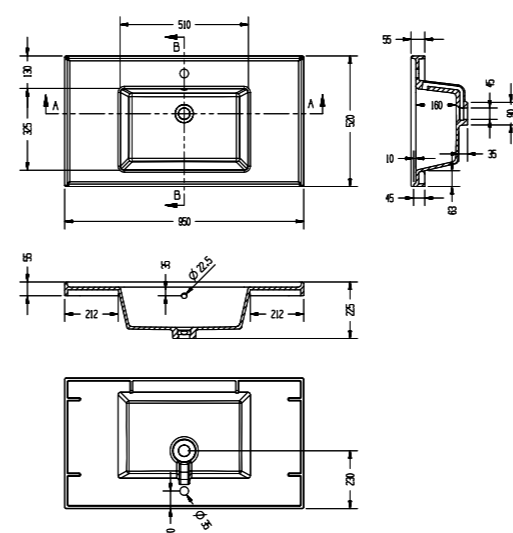
## Washbasin Size



## Materials

**LANFRY 蓝律石**  
Artificial Stone | White Gloss, Matte, Color,

## Washbasin Size



## Materials

**LANFRY 蓝律石**  
Artificial Stone | White Gloss, Matte, Color,

# Artificial stone water barrier Series Wash Basin



This icon indicates that the product is in the customizable range. Physical size can be customized according to need.

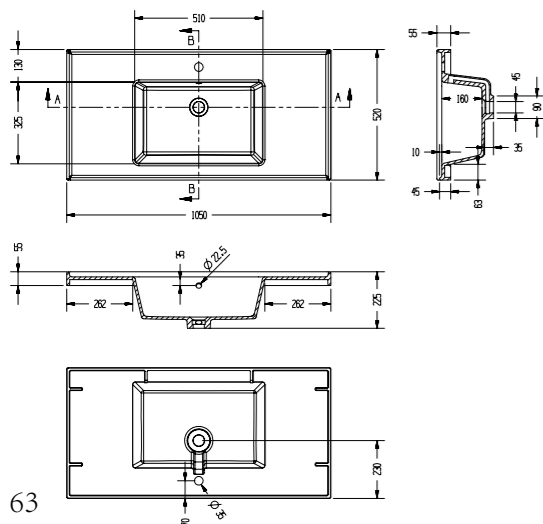


WATER BARRIER SERIES 1050x520



WATER BARRIER SERIES 1150x520

## Washbasin Size

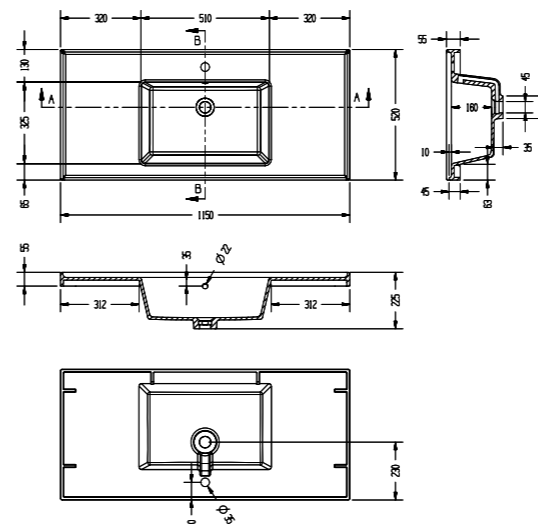


63

## Materials

**LANFRY 蓝律石**  
Artificial Stone | White Gloss, Matte, Color,

## Washbasin Size



## Materials

**LANFRY 蓝律石**  
Artificial Stone | White Gloss, Matte, Color,

# Artificial stone water barrier Series Wash Basin



This icon indicates that the product is in the customizable range. Physical size can be customized according to need.

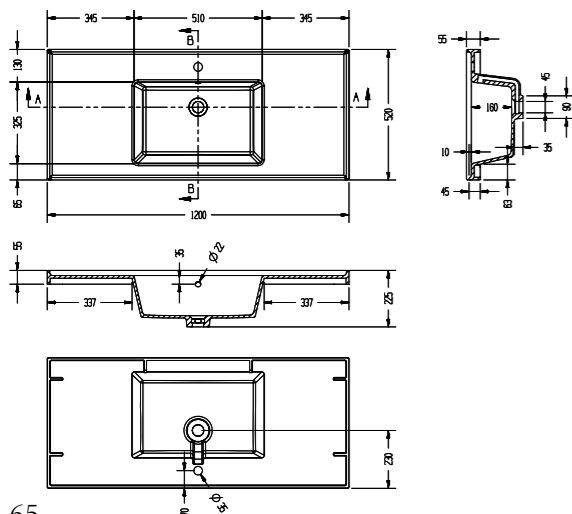


WATER BARRIER SERIES 1200x520



WATER BARRIER SERIES 800X500

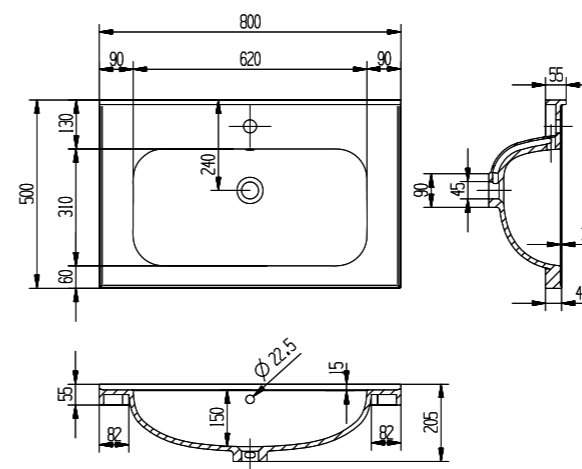
## Washbasin Size



## Materials

**LANFRY 蓝律石**  
Artificial Stone | White Gloss, Matte, Color,

## Washbasin Size



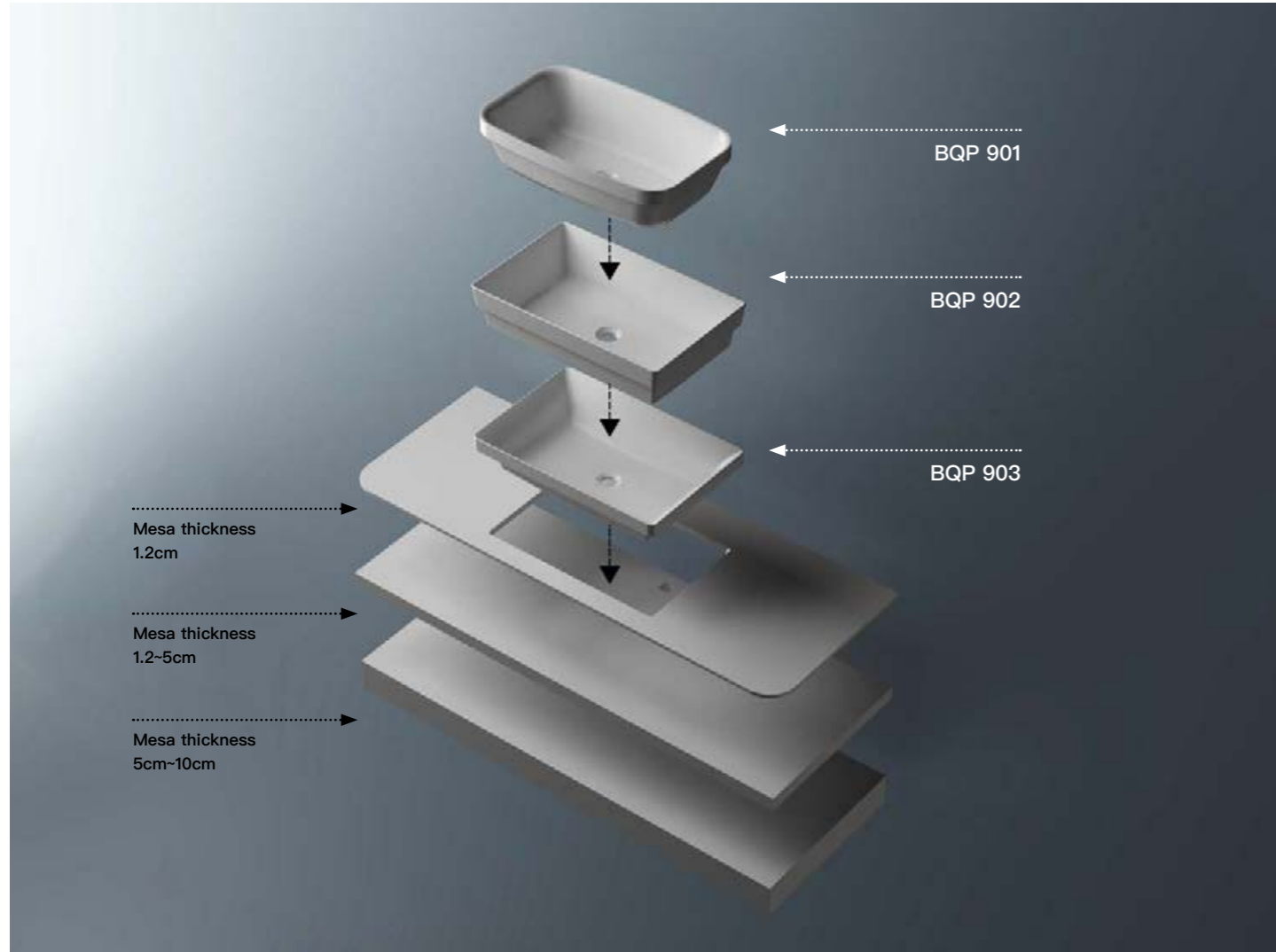
## Materials

**LANFRY 蓝律石**  
Artificial Stone | White Gloss, Matte, Color,

# Stuttgart wash basin series



This icon indicates that the product is in the customizable range. Physical size can be customized according to need.



COMBINATION DIAGRAM

BLUESAILFISH HAS BEEN FOCUSING ON ARTIFICIAL STONE SANITARY WARE FOR MANY YEARS. IT IS ONE OF THE EARLIEST MANUFACTURERS IN THE PEARL RIVER DELTA REGION TO PROCESS AND PRODUCE ARTIFICIAL STONE. AMONG THEM, BLUESAILFISH ARTIFICIAL STONE IS ONE OF OUR FLAGSHIP PRODUCTS. IT IS BASED ON CNC MACHINE TOOLS AND INDUSTRY 4.0. WITH THE EMPOWERMENT OF INDUSTRY, WE HAVE THE ABILITY TO CUSTOMIZE PRODUCTS

AND COUNTERTOPS AT WILL. WE USE BLUE NON-STONE ARTIFICIAL STONE, WHICH IS A NON-POROUS MATERIAL WITH UNIFORM TEXTURE, GOOD WEATHER RESISTANCE AND CORROSION RESISTANCE, AND CAN BE EASILY DISSOLVED SEAMLESSLY, SO OUR COUNTERTOPS ARE VERY STRONG AND CAN PROVIDE NON-STANDARD CUSTOMIZATION. FOR CUSTOMIZED COUNTERTOPS, YOU CAN CHOOSE ANY SHAPE YOU LIKE FROM

OUR BASIN LIBRARY, AS LONG AS THERE IS SOMETHING IN THE LIBRARY, IT CAN BE SEAMLESSLY INTEGRATED WITH THE COUNTERTOP. THERE ARE VARIOUS HEIGHTS FOR HANGING UNDER THE COUNTERTOP, WHICH CAN BE CUSTOMIZED ACCORDING TO THE NEEDS, AND THE COMMON ONES ARE 1.2CM, 4CM, AND 10CM.

# Stuttgart wash basin series



Stuttgart wash basin (BQP 902)



Stuttgart wash basin (BQP 901)



Stuttgart wash basin (BQP 903)

**Top dimensions**

P	L
500	1200
550	1400
600	1600

**Washbasin Size**

	P	L	H
BQP901	365	575	150
BQP902	355	570	150
BQP903	360	580	150

**Combination**

Height	Option 1	Option 2
1.2cm	[Diagram]	[Diagram]
1.2-4cm	[Diagram]	[Diagram]
4-10cm	[Diagram]	[Diagram]

**Washbasin position**

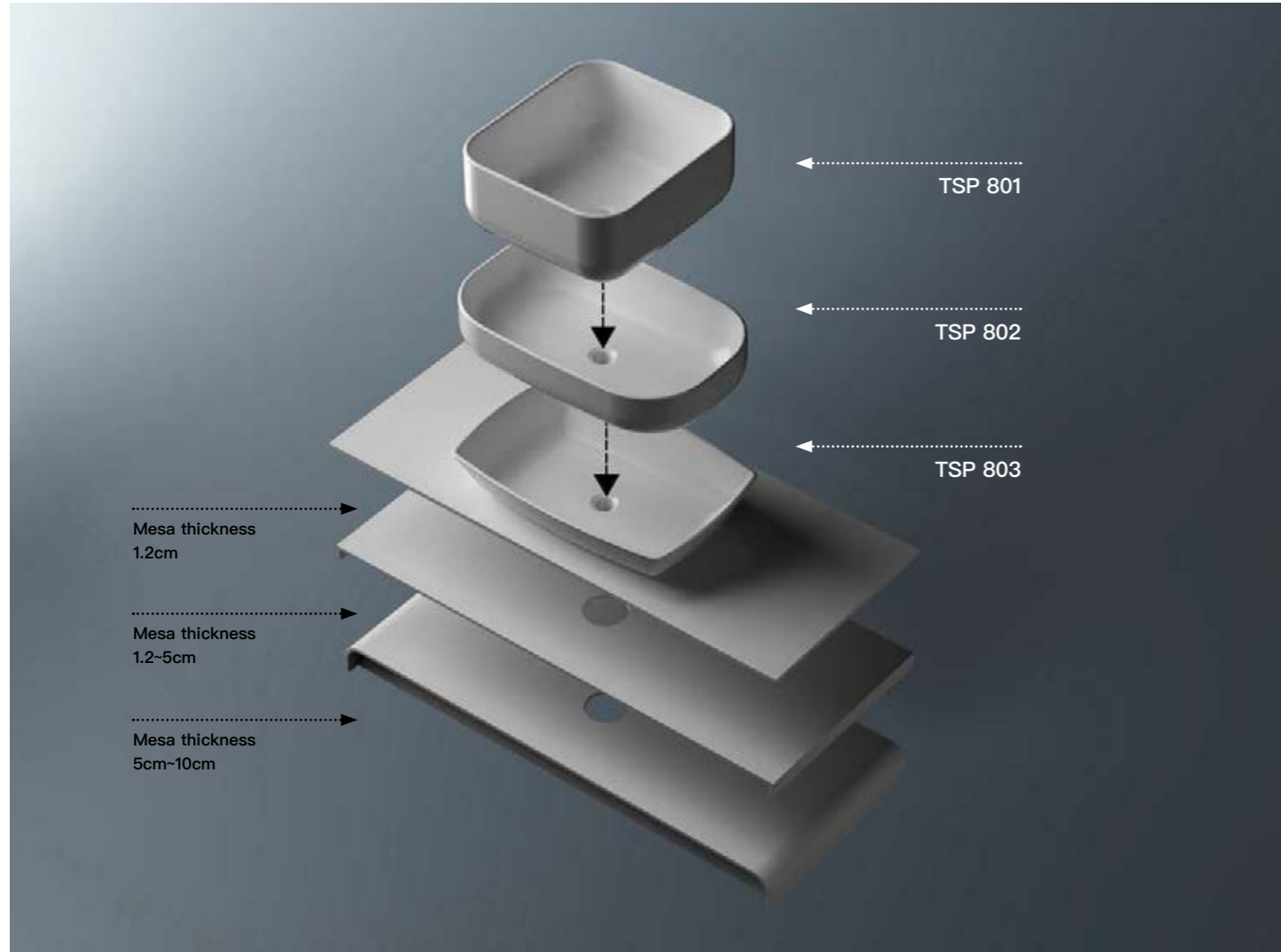
**Materials**

LANFRY 蓝非石  
Artificial Stone | White Gloss, Matte, Color

# Hamburg wash basin series



This icon indicates that the product is in the customizable range. Physical size can be customized according to need.



COMBINATION DIAGRAM

FOCUSING ON ARTIFICIAL STONE BATHROOM FOR MANY YEARS, BLUESAILFISH IS ONE OF THE EARLIEST MANUFACTURERS OF ARTIFICIAL STONE PROCESSING AND PRODUCTION IN THE PEARL RIVER DELTA REGION, AMONG WHICH BLUESAILFISH IS ONE OF OUR FLAGSHIP PRODUCTS. BASED ON CNC MACHINE TOOLS AND THE ABILITY OF INDUSTRY 4.0 TO ENABLE TRADITIONAL PROCESSING INDUSTRY, WE

HAVE THE ABILITY TO CUSTOMIZE PRODUCTS AND TABLE SURFACE ARBITRARILY. WE USE BLUESTONE ARTIFICIAL STONE, WHICH IS A NON-POROUS MATERIAL, UNIFORM TEXTURE, HAS GOOD WEATHER RESISTANCE, CORROSION RESISTANCE CHARACTERISTICS, AT THE SAME TIME CAN EASILY DO SEAMLESS DISSOLUTION, SO OUR TABLE IS VERY STRONG, AND CAN PROVIDE NON-STANDARD CUSTOMIZATION.

CUSTOM TABLE CAN BE IN OUR BASIN GALLBLADDER LIBRARY AT ANY TIME YOU LIKE TO CHOOSE THE SHAPE, AS LONG AS IT IS IN THE LIBRARY AND TABLE CAN BE SEAMLESSLY SPLICED INTO ONE. THERE ARE A VARIETY OF HEIGHT OPTIONS UNDER THE TABLE, CAN BE CUSTOMIZED ACCORDING TO THE NEED OF NON-STANDARD, COMMON 1.2CM, 4CM, 10CM.

# Hamburg wash basin series



TSP 801

**Washbasin Size**

Length	width	height
450	400	180

**Materials**

LANFRY 蓝石  
Artificial Stone | White Gloss, Matte, Color,



TSP 802

**Washbasin Size**

Length	width	height
600	370	160

**Materials**

LANFRY 蓝石  
Artificial Stone | White Gloss, Matte, Color,



TSP 803

**Washbasin Size**

Length	width	height
600	380	160

**Materials**

LANFRY 蓝石  
Artificial Stone | White Gloss, Matte, Color,

# Transparent acrylic artificial stone wash basin series



TSP 2006

**Washbasin Size**

Length	width	height
580	380	120

**Materials**

**LANFRY 蓝晶石**  
 Transparent Artificial Stone|  
 Wine red, black gray, dark coffee, apricot  
 yellow, green, sea blue



TSP 2007

**Washbasin Size**

Length	width	height
580	380	120

**Materials**

**LANFRY 蓝晶石**  
 Transparent Artificial Stone|  
 Wine red, black gray, dark coffee, apricot  
 yellow, green, sea blue



TSP 2032

**Washbasin Size**

Length	width	height
570	380	150

**Materials**

**LANFRY 蓝晶石**  
 Transparent Artificial Stone|  
 Wine red, black gray, dark coffee, apricot  
 yellow, green, sea blue

# Transparent acrylic artificial stone wash basin series



TSP 2038

**Washbasin Size**

Length	width	height
550	370	115

**Materials**

**LANFRY 蓝晶石**  
 Transparent Artificial Stone|  
 Wine red, black gray, dark coffee, apricot  
 yellow, green, sea blue



TSP 2039

**Washbasin Size**

Length	width	height
400	400	150

**Materials**

**LANFRY 蓝晶石**  
 Transparent Artificial Stone|  
 Wine red, black gray, dark coffee, apricot  
 yellow, green, sea blue



**BLUESAILFISH SHELL BASIN**

BLUESAILFISH SANITARY WARE ADOPTS A UNIQUE FORMULA, COMBINED WITH AUTOMATIC OVERALL POURING PROCESS AND SEAMLESS SPLICING PROCESS. WITH A DESIGN TEAM AND A MOLD PRODUCTION TEAM, WE CAN PROPOSE AN OVERALL SOLUTION FOR THE STRUCTURE, SHAPE, THICKNESS, COST AND PRODUCTION PROCESS OF THE REQUIRED PRODUCT.

## Artificial stone pedestal basin series



ZP 3001

### Washbasin Size

Length	width	height
400	400	900

### Materials

**LANFRY 蓝伊石**  
Artificial Stone | White Gloss, Matte, Color,



ZP 3002

### Washbasin Size

Length	width	height
400	400	850

### Materials

**LANFRY 蓝伊石**  
Artificial Stone | White Gloss, Matte, Color,



ZP 3003

### Washbasin Size

Length	width	height
450	450	900

### Materials

**LANFRY 蓝伊石**  
Artificial Stone | White Gloss, Matte, Color,

# Artificial stone pedestal basin series



ZP 3004

### Washbasin Size

Length	width	height
450	450	900

### Materials

**LANFRY 蓝石**  
Artificial Stone | White Gloss, Matte, Color,



ZP 3013

### Washbasin Size

Length	width	height
580	430	900

### Materials

**LANFRY 蓝石**  
Artificial Stone | White Gloss, Matte, Color,



ZP 3027

### Washbasin Size

Length	width	height
400	400	400

### Materials

**LANFRY 蓝石**  
Artificial Stone | White Gloss, Matte, Color,

# Artificial stone pedestal basin series



ZP 3028

### Washbasin Size

Length	width	height
450	450	900

### Materials

**LANFRY 蓝石**  
Artificial Stone | White Gloss, Matte, Color,



ZP 3030

### Washbasin Size

Length	width	height
480	475	900

### Materials

**LANFRY 蓝石**  
Artificial Stone | White Gloss, Matte, Color,

# Artificial stone pedestal basin series



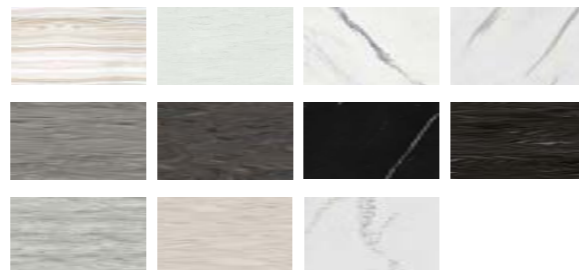
COLUMN BASIN 400X400X850

### Washbasin Size

Customized at will

### Materials

LANFRY 蓝芬石  
Artificial Stone |



# Artificial stone pedestal basin series



COLUMN BASIN 480X475X900

### Washbasin Size

Customized at will

### Materials

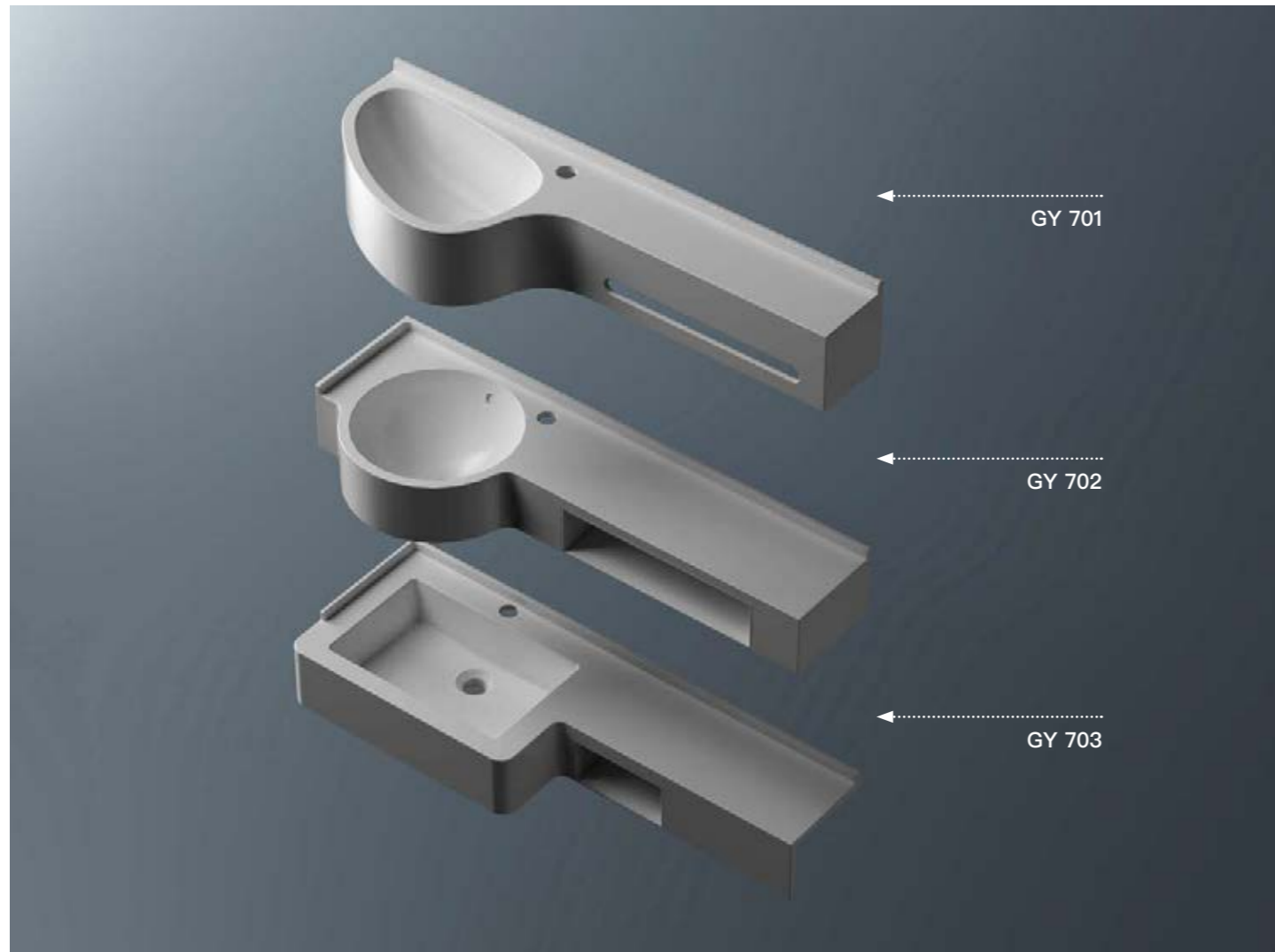
LANFRY 蓝芬石  
Artificial Stone |



# Commercial wash basin series



This icon indicates that the product is in the customizable range. Physical size can be customized according to need.



COMBINATION DIAGRAM

BLUESAILFISH HAS BEEN FOCUSING ON ARTIFICIAL STONE SANITARY WARE FOR MANY YEARS. IT IS ONE OF THE EARLIEST MANUFACTURERS IN THE PEARL RIVER DELTA REGION TO PROCESS AND PRODUCE ARTIFICIAL STONE. AMONG THEM, BLUESAILFISH ARTIFICIAL STONE IS ONE OF OUR FLAGSHIP PRODUCTS. IT IS BASED ON CNC MACHINE TOOLS AND INDUSTRY 4.0. WITH THE EMPOWERMENT OF INDUSTRY, WE HAVE THE ABILITY TO CUSTOMIZE PRODUCTS

AND COUNTERTOPS AT WILL. WE USE BLUE NON-STONE ARTIFICIAL STONE, WHICH IS A NON-POROUS MATERIAL WITH UNIFORM TEXTURE, GOOD WEATHER RESISTANCE AND CORROSION RESISTANCE, AND CAN BE EASILY DISSOLVED SEAMLESSLY, SO OUR COUNTERTOPS ARE VERY STRONG AND CAN PROVIDE NON-STANDARD CUSTOMIZATION. FOR CUSTOMIZED COUNTERTOPS, YOU CAN CHOOSE ANY SHAPE YOU LIKE FROM

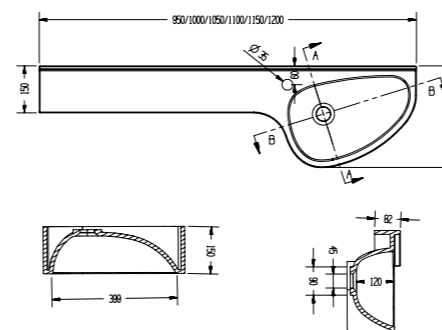
OUR BASIN LIBRARY, AS LONG AS THERE IS SOMETHING IN THE LIBRARY, IT CAN BE SEAMLESSLY INTEGRATED WITH THE COUNTERTOP. THERE ARE VARIOUS HEIGHTS FOR HANGING UNDER THE COUNTERTOP, WHICH CAN BE CUSTOMIZED ACCORDING TO THE NEEDS, AND THE COMMON ONES ARE 1.2CM, 4CM, AND 10CM.

# Commercial wash basin series



Commercial wash basin 2016R

### Washbasin Size



### Washbasin position



### Materials

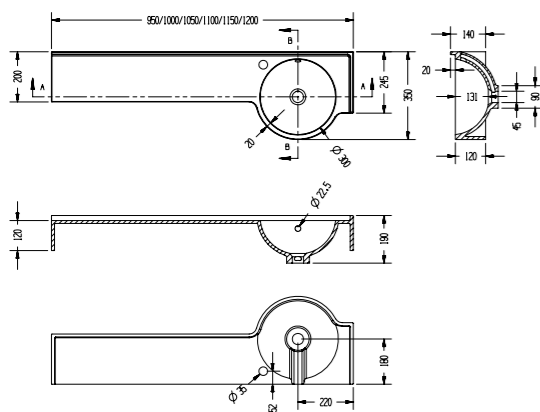
**LANFRY 蓝岸石**  
Artificial Stone | White Gloss, Matte, Color

# Commercial wash basin series



Commercial wash basin 2017R

### Washbasin Size



### Washbasin position



### Materials

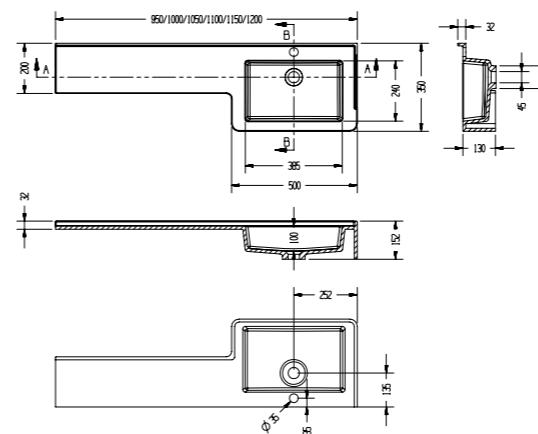
**LANFRY** 蓝晶石  
Artificial Stone | White Gloss, Matte, Color

# Commercial wash basin series

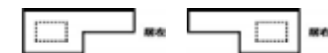


Commercial wash basin 2018R

### Washbasin Size



### Washbasin position



### Materials

**LANFRY** 蓝晶石  
Artificial Stone | White Gloss, Matte, Color

# Elderly wash basin series



BLUESAILFISH SANITARY WARE HAS LAUNCHED A SERIES OF INTEGRATED BASINS DESIGNED FOR AGING FOR PROJECTS SUCH AS NURSING HOMES. FOR THE USE OF ELDERLY USERS, HANDRAILS AND ANTI-SLIP DESIGNS HAVE BEEN ADDED.

# Elderly wash basin series



SL 2024

**Washbasin Size**



P	L	H
450	750	200

**Materials**

LANFRY 蓝非石  
Artificial Stone | White Gloss, Matte, Color,



SL 2021

**Washbasin Size**



P	L	H
450	600	195
	700	
	800	

**Materials**

LANFRY 蓝非石  
Artificial Stone | White Gloss, Matte, Color,



SL 2022

**Washbasin Size**



P	L	H
550	800	200

**Materials**

LANFRY 蓝非石  
Artificial Stone | White Gloss, Matte, Color,

# Elderly wash basin series



SL 2027

### Washbasin Size



P	L	H
550	1000 1200	200

### Materials

LANFRY 蓝非石  
Artificial Stone | White Gloss, Matte, Color,



SL 2028

### Washbasin Size



P	L	H
540	800	220

### Materials

LANFRY 蓝非石  
Artificial Stone | White Gloss, Matte, Color,



SL 2023

### Washbasin Size



P	L	H
550	950	224

### Materials

LANFRY 蓝非石  
Artificial Stone | White Gloss, Matte, Color,

# Kindergarten Washbasin Series



### KINDERGARTEN WASHBASIN INDICATION

THE CHILDREN'S BASIN SERIES DESIGNED BY BRUCE FEI SANITARY WARE ARE ALSO WIDELY USED IN VARIOUS KINDERGARTENS AND CHILDREN'S COMMERCIAL PUBLIC PLACES. THE CHARACTERISTICS OF ANTIBACTERIAL AND NON-BLEEDING CAN

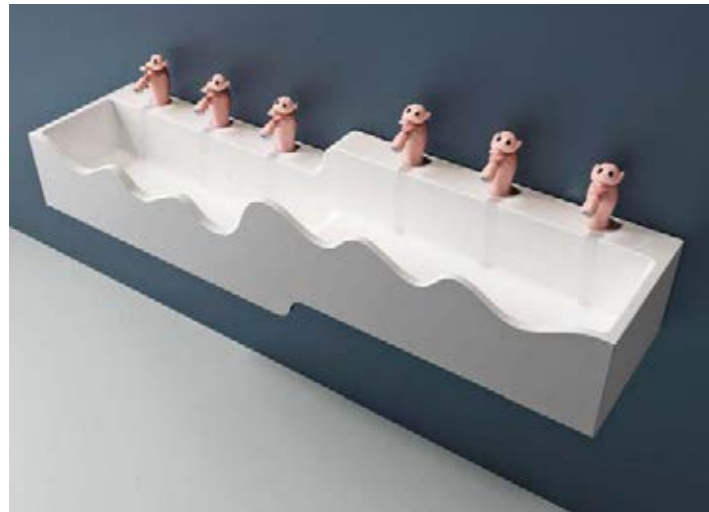
ALSO PROTECT THE GROWTH OF CHILDREN VERY WELL, BECAUSE THE SURFACE HAS NO PORES, OIL STAINS, AND WATER STAINS ARE NOT EASY TO PENETRATE INTO IT, AND IT CAN ALSO BE THERMOFORMED AT A CERTAIN TEMPERATURE, WHICH CAN BE USED FOR

VARIOUS ROUNDS FOR CHILDREN'S PLACES. THE CORNER DESIGN PROTECTS CHILDREN FROM SCRATCHES, AND THE STYLES ARE CHANGEABLE AND UNIQUE.

# Kindergarten Washbasin Series

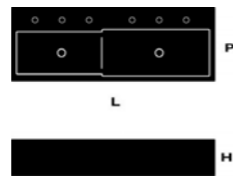


KINDERGARTEN WASHBASIN INDICATION



ET 2020

**Washbasin Size**



P	L	H
420	1200	350
	1500	
	1800	

**Materials**

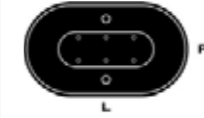
**LANFRY 蓝华石**  
Artificial Stone | White Gloss, Matte, Color,

# Kindergarten Washbasin Series



ET 2029

**Washbasin Size**



P	L	H
850	1500	200

**Materials**

**LANFRY 蓝华石**  
Artificial Stone | White Gloss, Matte, Color,



ET 2025

**Washbasin Size**



P	L	H
450	1500	200

**Materials**

**LANFRY 蓝华石**  
Artificial Stone | White Gloss, Matte, Color,



ET 2026

**Washbasin Size**



P	L	H
450	1500	200

**Materials**

**LANFRY 蓝华石**  
Artificial Stone | White Gloss, Matte, Color,

# Artificial Stone Bathtub Series



This icon indicates that the product is in the customizable range. Physical size can be customized according to need.



## BATHTUB SERIES

WITH THE IMPROVEMENT OF PEOPLE'S SOCIAL LIVING STANDARDS AND THE IMPROVEMENT OF LIVING STANDARDS, MORE AND MORE PEOPLE WILL CHOOSE TO INSTALL BATHTUBS IN THE BATHROOM WHEN DECORATING. A COMFORTABLE BATH CAN TAKE AWAY PEOPLE'S TROUBLES OF WORKING HARD ALL DAY. THE BLUESAILFISH BATHTUB SERIES IS MADE OF ARTIFICIAL STONE PRODUCTS OF OUR

COMPANY AS A WHOLE, WHICH HAS THE CHARACTERISTICS OF WEAR RESISTANCE, ACID RESISTANCE, HIGH TEMPERATURE RESISTANCE, COMPRESSION RESISTANCE, BENDING RESISTANCE, PENETRATION RESISTANCE, ETC., STRONG ANTI-FOULING ABILITY, AND THE SURFACE HAS NO PORES, EASY TO CLEAN AND EASY CLEANING, ANTIBACTERIAL AND ANTIFOULING, AND FINE SURFACE TEXTURE, IT CAN BE

SAID TO BE A COMBINATION OF VARIOUS ADVANTAGES. ACCORDING TO THE TYPE OF INSTALLATION, OUR BATHTUBS ARE DIVIDED INTO FREESTANDING BATHTUBS AND BUILT-IN BATHTUBS. THE FREE-STANDING BATHTUB HAS A BEAUTIFUL SHAPE AND IS PLACED DIRECTLY ON THE GROUND INDEPENDENTLY, WHICH IS EASY TO MOVE, EASY TO CONSTRUCT, AND EASY TO OVERHAUL.

# Artificial Stone Bathtub Series



YG 1004

### Washbasin Size

Length	width	height
1550	730	540
1650	750	550
1700	750	550

### Materials

**LANFRY 蓝非石**  
Artificial Stone | White Gloss, Matte, Color,



YG 1005

### Washbasin Size

Length	width	height
1400	750	520
1500	780	540
1600	800	540
1700	850	550
1800	850	550

### Materials

**LANFRY 蓝非石**  
Artificial Stone | White Gloss, Matte, Color,



YG 1007

### Washbasin Size

Length	width	height
1500	750	540
1600	750	550
1650	750	550
1700	780	550

### Materials

**LANFRY 蓝非石**  
Artificial Stone | White Gloss, Matte, Color,

# Artificial Stone Bathtub Series



YG 1020

### Washbasin Size

Length	width	height
1700	880	540

### Materials

**LANFRY 蓝石**  
Artificial Stone | White Gloss, Matte, Color, Length



YG 1033

### Washbasin Size

Length	width	height
1700	700	850
1800	750	850

### Materials

**LANFRY 蓝石**  
Artificial Stone | White Gloss, Matte, Color,



YG 1039

### Washbasin Size

Length	width	height
1500	750	550
1700	800	550

### Materials

**LANFRY 蓝石**  
Artificial Stone | White Gloss, Matte, Color,

# Artificial Stone Bathtub Series



YG-1005C

### Washbasin Size

Length	width	height
1400	750	520
1500	780	540
1600	800	540
1700	850	550
1800	850	550

### Materials

**LANFRY 蓝石**  
Transparent Artificial Stone|  
Wine red, black gray, dark coffee, apricot  
yellow, green, sea blue



YG-1007C

### Washbasin Size

Length	width	height
1500	750	540
1600	750	550
1650	750	550
1700	780	550

### Materials

**LANFRY 蓝石**  
Transparent Artificial Stone|  
Wine red, black gray, dark coffee, apricot  
yellow, green, sea blue

## Bathroom custom series



BATHROOM CUSTOM COLLECTION – STORE DISPLAY

FROM THE INITIAL CONCEPT OF CUSTOMIZATION INTRODUCED IN EUROPE AND THE UNITED STATES, TO THE RISE OF THE OVERALL WARDROBE IN 2000, CUSTOM CABINETS, WOODEN DOORS, AND BATHROOM ITEMS FOLLOWED, UNTIL THE CONCEPT OF OVERALL HOME IMPROVEMENT WAS AWAKENED IN 2014, CUSTOMIZATION EXPANDED TO THE WHOLE HOUSE, AND FULL BATHROOM CUSTOMIZATION ALSO BECAME THE OUTLET FOR THE DEVELOPMENT OF THE

BATHROOM INDUSTRY. LIKE WHOLE HOUSE CUSTOMIZATION, "FULL BATHROOM CUSTOMIZATION" WAS BORN TO MEET PEOPLE'S PERSONALIZED AND DIVERSIFIED LIVING NEEDS WITH THE IMPROVEMENT OF RESIDENTS' LIVING DEVELOPMENT LEVEL. NOW FULL BATHROOM CUSTOMIZATION IS SLOWLY DEVELOPING IN THE DIRECTION OF "BRANDING, STANDARDIZATION, AND STANDARDIZATION". THERE ARE SEVERAL PAIN POINTS IN PEOPLE'S BATHROOM LIFE TODAY. PAIN POINT

1: THE STRUCTURE OF THE BATHROOM IS COMPLEX AND THE USER EXPERIENCE IS POOR. THE STRUCTURE OF THE BATHROOM IS COMPLEX, AND IT NEEDS TO MATCH WITH THE DECORATION PROCESS. FOR EXAMPLE, IT IS NECESSARY TO RESERVE THE WATER LEVEL, PLAN THE SPACE IN ADVANCE, AND UNDERSTAND THE OWNER'S LIVING HABITS AND FAMILY MEMBERS. THEREFORE, IT IS NECESSARY TO CONDUCT A COMPREHENSIVE RESEARCH WHEN PLANNING THE SPACE. IF THE SIZE IS NOT IN

PLACE, THERE ARE MANY INSTALLATION PROBLEMS AND AFTER-SALES PROBLEMS. PAIN POINT 2: TRADITIONAL BATHROOM CABINETS ARE RELATIVELY INDEPENDENT AND CANNOT MEET DIVERSE NEEDS. MOST OF THE TRADITIONAL BATHROOM CABINETS ARE OVERALL STANDARDIZED PRODUCTS. COMPARED WITH CUSTOMIZED PRODUCTS, THEY LACK THE ABILITY TO BE FLEXIBLE AND FLEXIBLE, AND THEIR FUNCTIONS ARE RELATIVELY SINGLE. AIMING AT THE ABOVE PAIN POINTS, BLUE SAIFEI SANITARY WARE PUT FORWARD OUR OVERALL SOLUTION.

# Customization Process Guide

Formed one-piece basins are usually white glossy, white skin-feeling matte or one-piece solid color (refer to the color card).  
If the countertop chooses a full-body pattern board. Then use white or other solid colors for pot gallbladder.



## STEP 1

ACCORDING TO THE SIZE OF THE COUNTERTOP, CHOOSE THE APPROPRIATE BASIN GALL.



## STEP 2

SELECT THE POT AND PLACE IT ON THE COUNTERTOP.



## STEP 3

THE MOUTH OF THE BASIN CAN BE SELECTED TO INCREASE THE SMOOTHNESS OF THE ROUNDED CORNERS OF THE PROCESS.



## STEP 4

THE COUNTERTOP CAN BE THICKENED TO INCREASE THE HANGING EDGE.



## STEP 5

IF THERE ARE SPECIAL NEEDS, SPECIAL-SHAPED SHAPES CAN BE ADDED TO ENRICH THE DESIGN.

## SPECIAL CASE

IF THE SIZE OF THE COUNTERTOP IS VERY SPECIAL AND YOU CANNOT USE THE ON-SITE POT, YOU CAN CHOOSE THE FULL POT SERIES, AND THERE IS NO SIZE LIMIT.

# Artificial stone color matching basin series



This icon indicates that the product is in the customizable range. Physical size can be customized according to need.



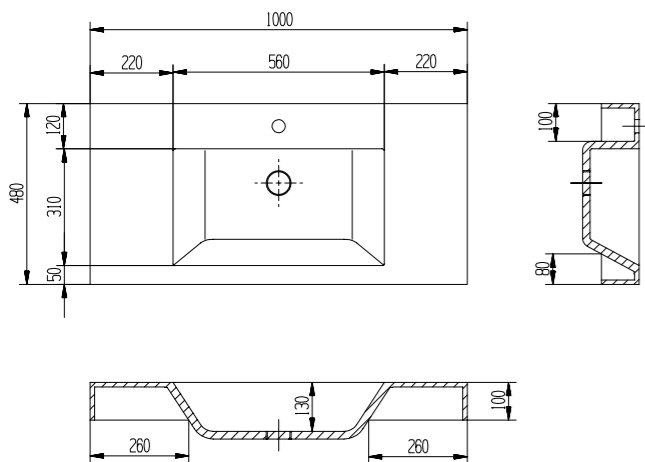
T1000 Basin height 100mm Splicing Snowflake big twill

# Artificial stone color matching basin series



LEC 600 Basin height 100mm Splicing Wood grain ash

## Washbasin Size



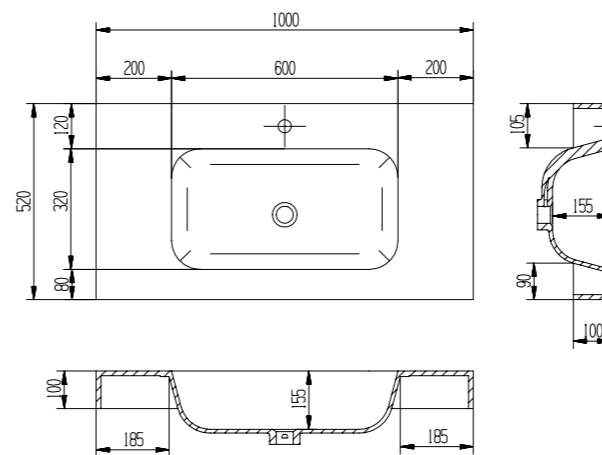
## Materials

**LANFRY 蓝存石**  
Artificial Stone | White Gloss, Matte, Color,

## Washbasin

560x310x130  
610x320x130

## Washbasin Size



## Materials

**LANFRY 蓝存石**  
Artificial Stone | White Gloss, Matte, Color,

## Washbasin

490x360x160  
600x320x155  
700x350x155

# Artificial stone color matching basin series



This icon indicates that the product is in the customizable range. Physical size can be customized according to need.



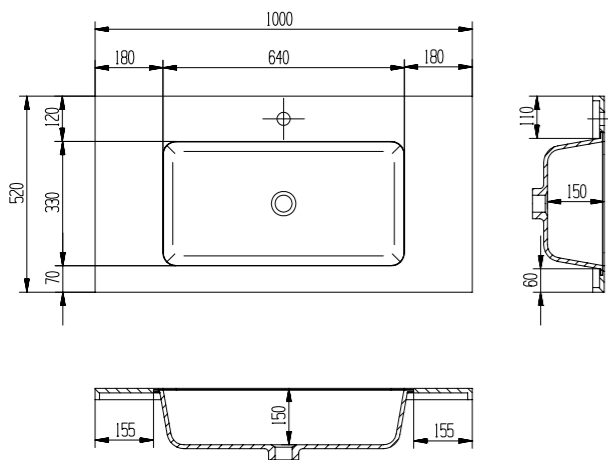
SQU640 Basin height 100mm Splicing Fish belly white

# Artificial stone color matching basin series



Ellipse Basin height 100mm Splicing Black and white root

### Washbasin Size



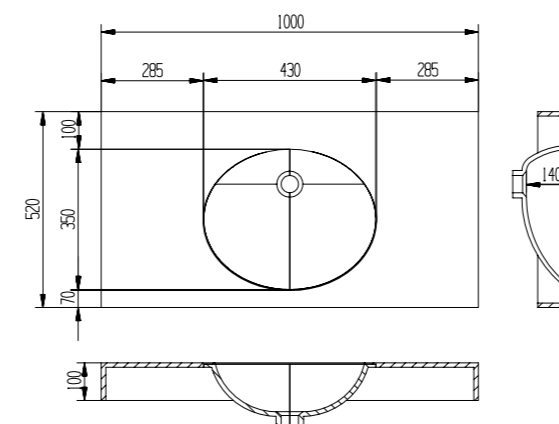
### Materials

**LANFRY 蓝律石**  
Artificial Stone | White Gloss, Matte, Color,

### Washbasin

- 440x310x130
- 490x305x120
- 450x270x110
- 450x275x110
- 800x360x140

### Washbasin Size



### Materials

**LANFRY 蓝律石**  
Artificial Stone | White Gloss, Matte, Color,

### Washbasin

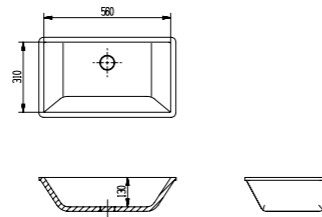
- 380x320x140
- 400x350x160
- 425x275x135
- 430x350x140

# Standard Integrated wash basin

Formed one-piece basins are usually white glossy, white skin-feeling matte or one-piece solid color (refer to the color card).  
If the countertop chooses a full-body pattern board. Then use white or other solid colors for pot gallbladder.



### Washbasin Size



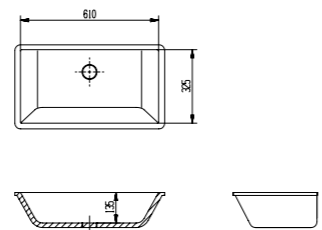
### Materials

**LANFRY 蓝砂石**  
Artificial Stone | White Gloss, Matte, Color,

BSF-T1000 560x310x130



### Washbasin Size



### Materials

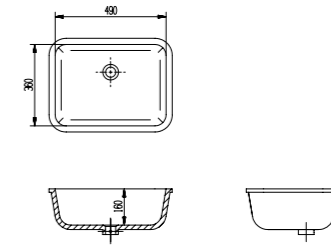
**LANFRY 蓝砂石**  
Artificial Stone | White Gloss, Matte, Color,

BSF-T1200 610x320x130

# Standard Integrated wash basin



### Washbasin Size



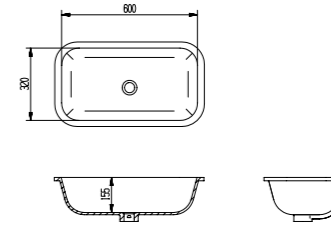
### Materials

**LANFRY 蓝砂石**  
Artificial Stone | White Gloss, Matte, Color,

BSF-LEC490 490x360x160



### Washbasin Size



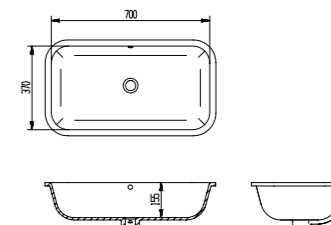
### Materials

**LANFRY 蓝砂石**  
Artificial Stone | White Gloss, Matte, Color,

BSF-LEC600 600x320x155



### Washbasin Size



### Materials

**LANFRY 蓝砂石**  
Artificial Stone | White Gloss, Matte, Color,

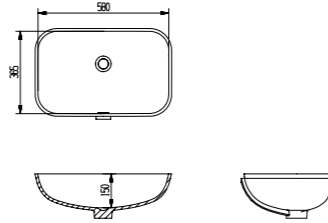
BSF-LEC700 700x350x155

# Standard Integrated wash basin

Formed one-piece basins are usually white glossy, white skin-feeling matte or one-piece solid color (refer to the color card).  
If the countertop chooses a full-body pattern board. Then use white or other solid colors for pot gallbladder.



### Washbasin Size



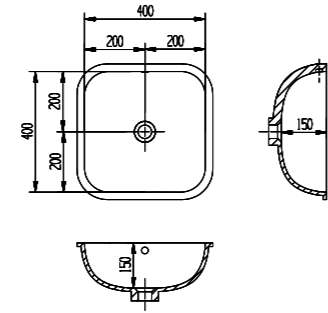
### Materials

LANFRY 蓝晶石  
Artificial Stone | White Gloss, Matte, Color,

BSF-2056-580x365x150



### Washbasin Size



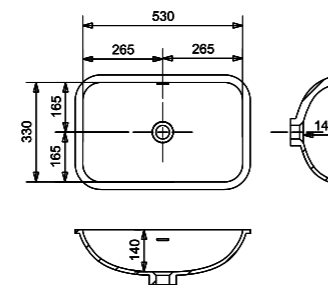
### Materials

LANFRY 蓝晶石  
Artificial Stone | White Gloss, Matte, Color,

LEC450 盆 400x400pd



### Washbasin Size



### Materials

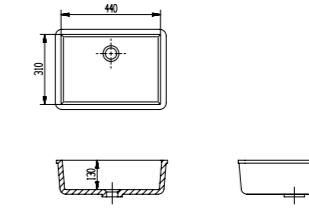
LANFRY 蓝晶石  
Artificial Stone | White Gloss, Matte, Color,

LEC530-530x330x140

# Standard Integrated wash basin



### Washbasin Size



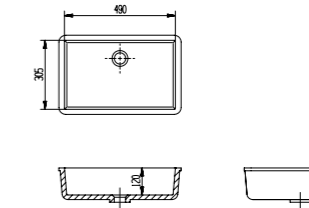
### Materials

LANFRY 蓝晶石  
Artificial Stone | White Gloss, Matte, Color,

SQU440-440x310x130



### Washbasin Size



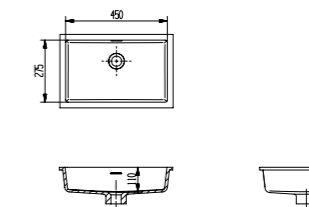
### Materials

LANFRY 蓝晶石  
Artificial Stone | White Gloss, Matte, Color,

BSF-T580-490x305x120



### Washbasin Size



### Materials

LANFRY 蓝晶石  
Artificial Stone | White Gloss, Matte, Color,

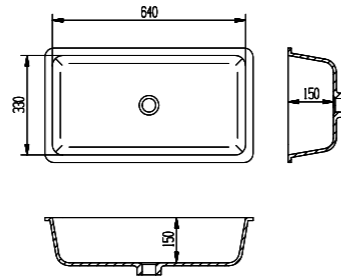
BSF-T450-450x275

# Standard Integrated wash basin

Formed one-piece basins are usually white glossy, white skin-feeling matte or one-piece solid color (refer to the color card).  
If the countertop chooses a full-body pattern board. Then use white or other solid colors for pot gallbladder.



### Washbasin Size



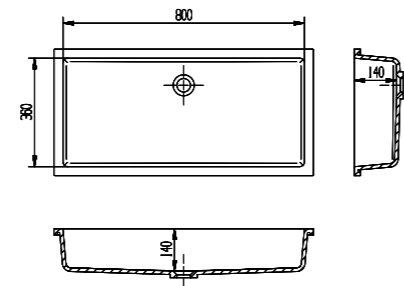
### Materials

LANFRY 蓝晶石  
Artificial Stone | White Gloss, Matte, Color,

BSF-SQU640 640x330



### Washbasin Size



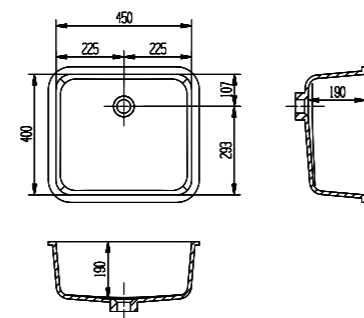
### Materials

LANFRY 蓝晶石  
Artificial Stone | White Gloss, Matte, Color,

BSF-T800800x360



### Washbasin Size



### Materials

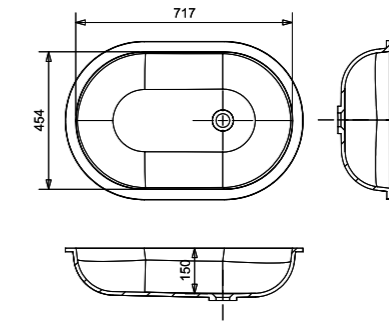
LANFRY 蓝晶石  
Artificial Stone | White Gloss, Matte, Color,

SQU450-450x400x190

# Standard Integrated wash basin



### Washbasin Size



### Materials

LANFRY 蓝晶石  
Artificial Stone | White Gloss, Matte, Color,

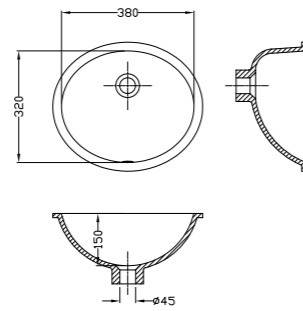
Baby wash basin-717x454

# Standard Integrated wash basin

Formed one-piece basins are usually white glossy, white skin-feeling matte or one-piece solid color (refer to the color card).  
If the countertop chooses a full-body pattern board. Then use white or other solid colors for pot gallbladder.



### Washbasin Size



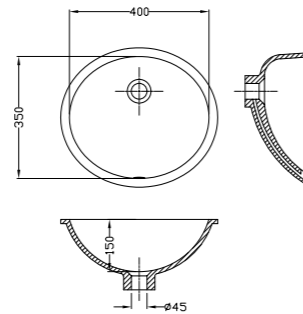
### Materials

LANFRY 蓝晶石  
Artificial Stone | White Gloss, Matte, Color,

380x320x140



### Washbasin Size



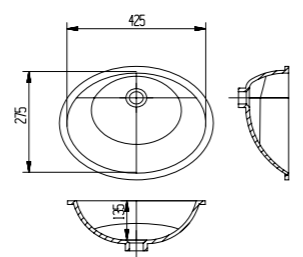
### Materials

LANFRY 蓝晶石  
Artificial Stone | White Gloss, Matte, Color,

400x350x160



### Washbasin Size



### Materials

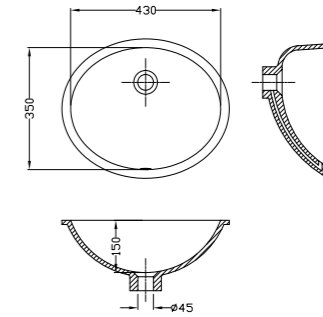
LANFRY 蓝晶石  
Artificial Stone | White Gloss, Matte, Color,

425x275x135

# Standard Integrated wash basin



### Washbasin Size



### Materials

LANFRY 蓝晶石  
Artificial Stone | White Gloss, Matte, Color,

430x350x140

# Customization Process Guide

Formed one-piece basins are usually white glossy, white skin-feeling matte or one-piece solid color (refer to the color card).  
If the countertop chooses a full-body pattern board. Then use white or other solid colors for pot gallbladder.



## STEP 1

IN THE CASE THAT SEAMLESS SPLICING AND INTEGRAL CASTING ARE NOT SUITABLE, YOU CAN CHOOSE TO CUSTOMIZE THE POTS BY HAND.



## STEP 2

THERE IS NO REQUIREMENT FOR THE SIZE OF THE HANDMADE BASIN, JUST PROVIDE THE BASIN AND COUNTERTOP SIZE TO THE CUSTOMER SERVICE.



## STEP 3

IF IT IS A SOLID COLOR, YOU CAN POUR AN EXTRA LAYER OF INNER R ANGLE AFTER SPLICING, AND SPRAY A LAYER OF ANTI-FOULING LAYER AS A WHOLE AFTER POURING.



## STEP 4

IT CAN ALSO BE USED AS A PATTERN POT, BUT THE INNER R ANGLE CANNOT BE INVERTED, AND THE BOTTOM OF THE POT IS CURVED TO FACILITATE DRAINAGE.

## PRECAUTIONS

THE WORKING HOURS OF MANUAL SPLICING POTS WILL BE LONGER THAN THAT OF STANDARD MOLD POTS. IF CONDITIONS PERMIT, TRY TO CHOOSE STANDARD POTS.

# Custom process guidance for non-standard splicing basins



PP901

### Washbasin Size

Customized at will

### Materials

**LANFRY 006**  
Artificial Stone | White Gloss, Matte, Color,



PP902

### Washbasin Size

Customized at will

### Materials

**LANFRY 006**  
Artificial Stone | White Gloss, Matte, Color,



PP903

### Washbasin Size

Customized at will

### Materials

**LANFRY 006**  
Artificial Stone | White Gloss, Matte, Color,

# Custom process guidance for non-standard splicing basins



PP904

### Washbasin Size

Customized at will

### Materials

**LANFRY 006**  
Artificial Stone | White Gloss, Matte, Color,



PP905

### Washbasin Size

Customized at will

### Materials

**LANFRY 006**  
Artificial Stone | White Gloss, Matte, Color,



PP906

### Washbasin Size

Customized at will

### Materials

**LANFRY 006**  
Artificial Stone | White Gloss, Matte, Color,

# Material Guide

After more than ten years of formula adjustment and production process improvement, as well as strict screening of raw materials, Lanfei Stone artificial stone has realized the perfect combination of design and technology. Lanfei Stone artificial stone has super durable Climate and corrosion resistance, so our bathroom cabinets will not crack in the north where

the temperature difference changes greatly, and will not mold or rot in the south with humid climate. It will not be corroded, and even in medical places with extremely strict requirements on materials, it is widely used because of its anti-mildew, anti-bacterial, and non-bleeding characteristics.

All color cards in this booklet are for reference only, and there may be color differences due to different printing and display equipment. Please refer to the color card for the actual color.

## Artificial stone material series

LANFREY 蓝非石



8852 Wood grain yellow



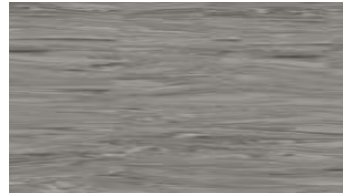
9914 Cloud white



Snowflake big twill



8855 Yashi white



8851 Wood grain ash



8846 Black gold



Black and white root



8845 Coffee Straight Lines



CW5852 Light grey Cave Stone



8862 Cloud Cave Stone



Fish belly white

## Artificial stone material series

LANFREY 蓝非石



8852 Wood grain yellow



9914 Cloud white



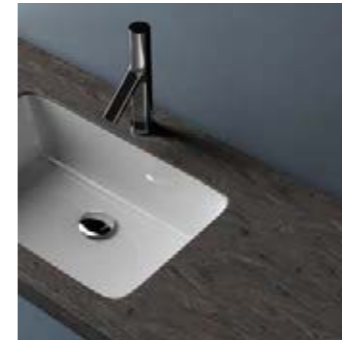
Snowflake big twill



8855 Yashi white



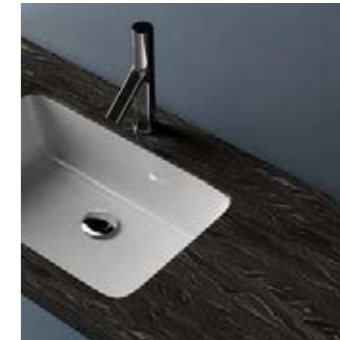
8851 Wood grain ash



8846 Black gold



Black and white root



8845 Coffee Straight Lines



CW5852 Light grey Cave Stone



8862 Cloud Cave Stone



Fish belly white

# Material Guide

After more than ten years of formula adjustment and production process improvement, as well as strict screening of raw materials, Lanfei Stone artificial stone has realized the perfect combination of design and technology. Lanfei Stone artificial stone has super durable Climate and corrosion resistance, so our bathroom cabinets will not crack in the north where

the temperature difference changes greatly, and will not mold or rot in the south with humid climate. It will not be corroded, and even in medical places with extremely strict requirements on materials, it is widely used because of its anti-mildew, anti-bacterial, and non-bleeding characteristics.

All color cards in this booklet are for reference only, and there may be color differences due to different printing and display equipment. Please refer to the color card for the actual color.

## Artificial stone material series

LANFREY 蓝非石



White matte



White light



black



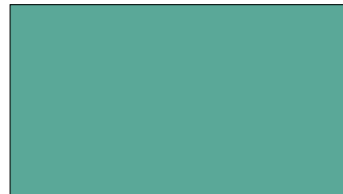
Gentleman Yellow (RAL1013)



Armani Grey (RAL7030)



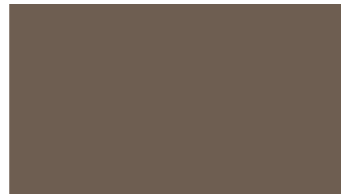
Navy Blue (RAL5007)



Turquoise (RAL6034)



Hermes Orange (RAL2010)



Louis Vuitton Brown (RAL8025)



Chanel Green (RAL6005)

## Artificial stone material series

LANFREY 蓝非石



white



black



Gentleman Yellow (RAL1013)



Armani Grey (RAL7030)



Navy Blue (RAL5007)



Turquoise (RAL6034)



Hermes Orange (RAL2010)



Louis Vuitton Brown (RAL8025)



Chanel Green (RAL6005)

# Material Guide

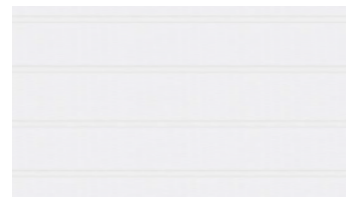
After more than ten years of formula adjustment and production process improvement, as well as strict screening of raw materials, Lanfei Stone artificial stone has realized the perfect combination of design and technology. Lanfei Stone artificial stone has super durable Climate and corrosion resistance, so our bathroom cabinets will not crack in the north where

the temperature difference changes greatly, and will not mold or rot in the south with humid climate. It will not be corroded, and even in medical places with extremely strict requirements on materials, it is widely used because of its anti-mildew, anti-bacterial, and non-bleeding characteristics.

All color cards in this booklet are for reference only, and there may be color differences due to different printing and display equipment. Please refer to the color card for the actual color.

## Artificial stone material series

LANFEI 蓝非石



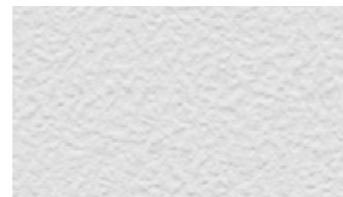
Four seasons rainbow



Concentrating light



Shell grain



Pear noodle



lamp-wick



Wood grain



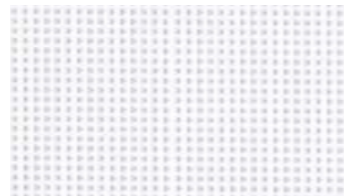
Checkedered pattern



Cloth pattern



Water ripple



Crystal pattern



Kim Bisa

## Artificial stone material series

LANFEI 蓝非石



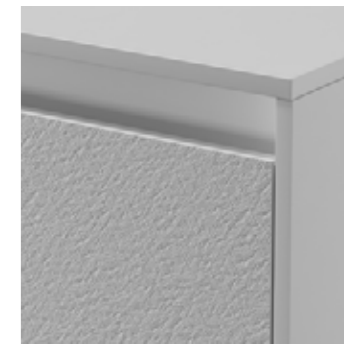
Four seasons rainbow



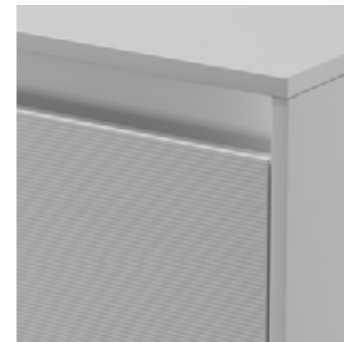
Concentrating light



Shell grain



Pear noodle



lamp-wick



Wood grain



Checkedered pattern



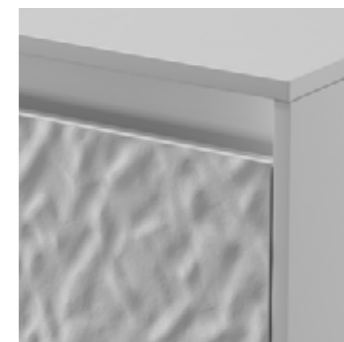
Cloth pattern



Water ripple



Crystal pattern



Kim Bisa

# Balcony Basin Series



This icon indicates that the product is in the customizable range. Physical size can be customized according to need.

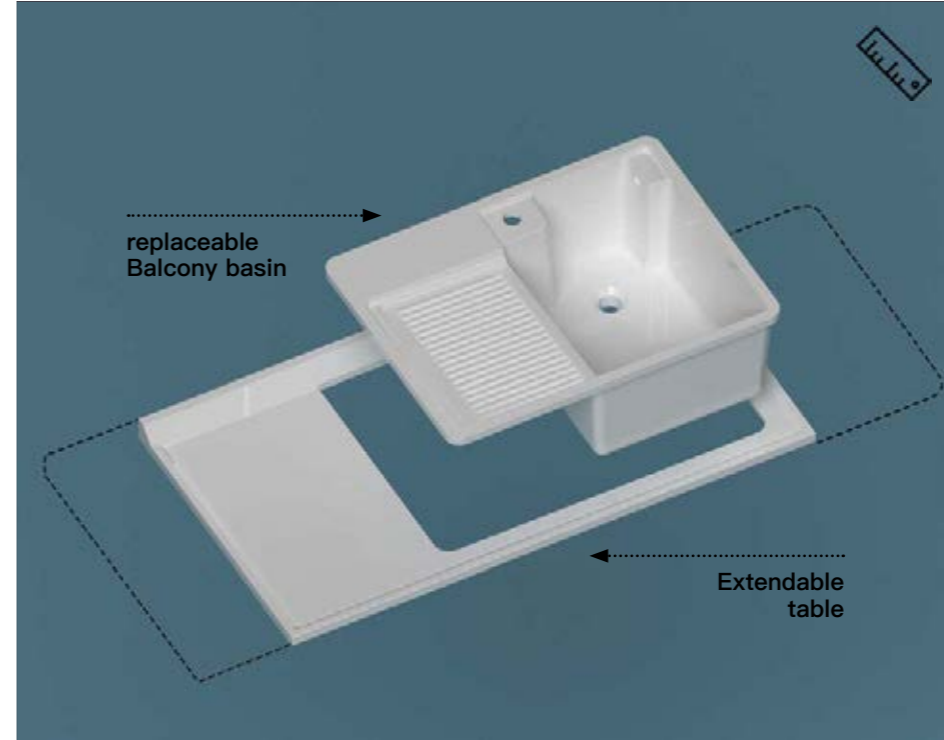


## BALCONY BASIN SERIES

IN RECENT YEARS, THE BALCONY LAUNDRY CABINET HAS BASICALLY BECOME THE TREND OF NEW HOME DECORATION. IF IT IS AN OUTDOOR BALCONY, IT WILL EXPERIENCE THE SUN AND RAIN. IT IS GENERALLY RECOMMENDED TO USE A BLUE AND NON-STONE INTEGRATED LAUNDRY TUB. LANFEI

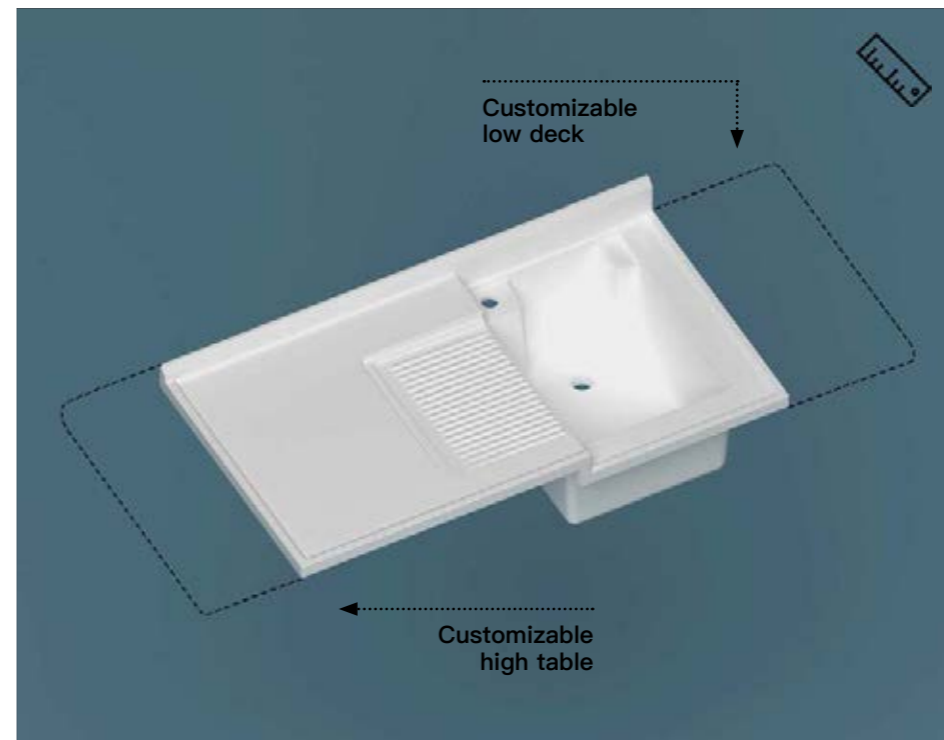
STONE IS A NON-POROUS MATERIAL WITH UNIFORM TEXTURE, WHICH CAN BE EASILY WELDED SEAMLESSLY. AT THE SAME TIME, IT CAN BE THERMOFORMED AT A CERTAIN TEMPERATURE. IT HAS SUPER WEATHER RESISTANCE AND CORROSION RESISTANCE. NO CRACKING, NO MOLD AND NO ROT

IN THE HUMID SOUTH, TERMITES AND OTHER PESTS IN AREAS WITH INSUFFICIENT SUNLIGHT, AND THE STONE IS EASY TO CLEAN, NOT AFRAID OF THE SUN AND RAIN, AND MORE DURABLE.



SCHEMATIC DIAGRAM OF BALCONY BASIN COMBINATION

**BLUESAILFISH BALCONY POT SERIES,** BOTH THE COUNTERTOP AND THE BASIN CAN BE REPLACED ARBITRARILY, AND CAN BE ADJUSTED ACCORDING TO THE ACTUAL SITUATION. BOTH THE COUNTERTOP AND THE BASIN ARE MADE OF BLUE NON-STONE MATERIAL, WHICH CAN ALSO BE SEAMLESSLY SPLICED AND FORMED BY ONE-PIECE CASTING. THE DEGREE OF FREEDOM OF CHANGE IS HIGH, AND IT CAN COPE WITH CUTTING CORNERS AND SPECIAL SHAPES. AND MANY OTHER COMPLEX SITUATIONS.



SCHEMATIC DIAGRAM OF BALCONY BASIN COMBINATION

**BLUESAILFISH BALCONY HIGH AND LOW WASH BASIN SERIES,** THE COUNTERTOP AND BASIN CAN BE MADE OF DIFFERENT HEIGHTS, WHICH CAN BE ADJUSTED ACCORDING TO THE ACTUAL SITUATION. BOTH THE COUNTERTOP AND THE BASIN ARE MADE OF BLUE NON-STONE MATERIAL, WHICH CAN ALSO BE SEAMLESSLY SPLICED AND FORMED BY INTEGRAL CASTING. THE DEGREE OF FREEDOM OF CHANGE IS HIGH, AND IT CAN DEAL WITH MANY CORNERS, SPECIAL SHAPES, ETC. KIND OF COMPLICATED SITUATION.

# Balcony Basin Series

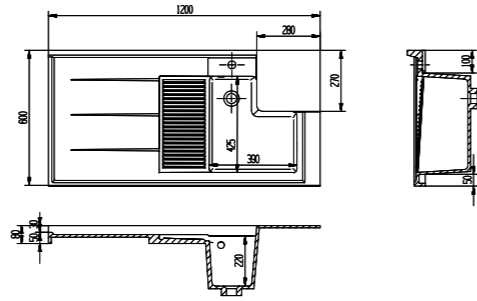


This icon indicates that the product is in the customizable range. Physical size can be customized according to need.



YT 501

### Washbasin Size



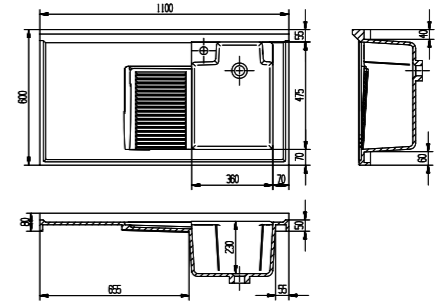
### Materials

LANFRY 蓝晶石  
Artificial Stone | White, Black,



YT 504

### Washbasin Size



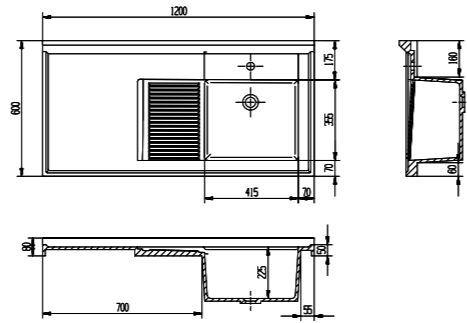
### Materials

LANFRY 蓝晶石  
Artificial Stone | White, Black,



YT 502

### Washbasin Size



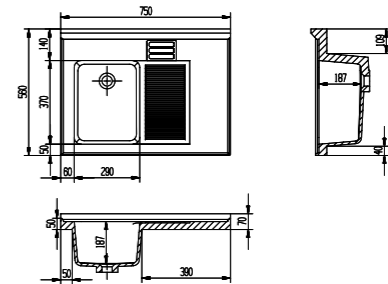
### Materials

LANFRY 蓝晶石  
Artificial Stone | White, Black,



YT 505

### Washbasin Size



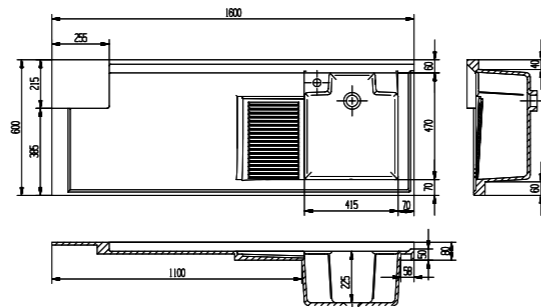
### Materials

LANFRY 蓝晶石  
Artificial Stone | White, Black,



YT 503

### Washbasin Size



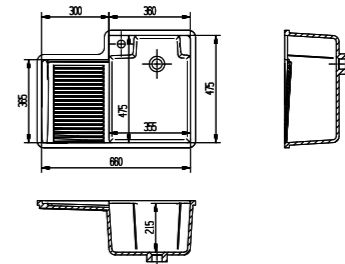
### Materials

LANFRY 蓝晶石  
Artificial Stone | White, Black,



YT 506

### Washbasin Size



### Materials

LANFRY 蓝晶石  
Artificial Stone | White, Black,

# Balcony Basin Series

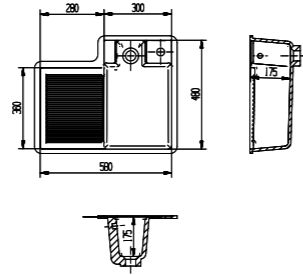


This icon indicates that the product is in the customizable range. Physical size can be customized according to need.



YT 507

### Washbasin Size



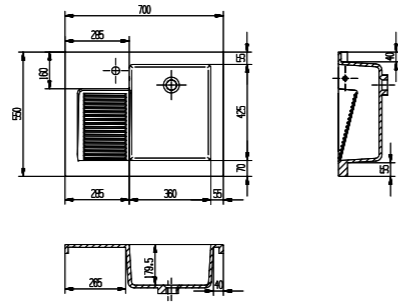
### Materials

LANFRY 蓝非石  
Artificial Stone | White , Black,



YT 509

### Washbasin Size



### Materials

LANFRY 蓝非石  
Artificial Stone | White , Black,



LAUNDRY ROOM HIGH AND LOW COUNTERTOP CASE



OVER THE PAST FEW YEARS, MORE AND MORE PEOPLE HAVE BECOME POPULAR TO WRAP THE BALCONY INTO A LAUNDRY ROOM, BUT IT IS ALSO SUBJECT TO VARIOUS COMPLEX STRUCTURES ON SITE, SUCH AS GAS SEWAGE PIPES, WATER INLET AND OUTLET LEVELS, ETC., WHICH ARE EASILY RESTRICTED BY SITE CONDITIONS, MAKING THE OVERALL DESIGN NOT INTEGRATED ENOUGH.

AT THIS TIME, THE BRUCE FEI BALCONY BASIN SERIES CAN SOLVE SUCH PROBLEMS VERY WELL. THE HIGH AND LOW LAUNDRY BASIN SERIES CAN BE USED AS HIGH AND LOW COUNTERTOPS. MAKE THE WHOLE LAUNDRY ROOM MORE CONCISE AND INTEGRATED.

# Artificial stone Balcony Basin series



This icon indicates that the product is in the customizable range. Physical size can be customized according to need.



Artificial stone Balcony Basin series 650x450x200

THE LANFRY-STONE ARTIFICIAL STONE PATTERN BOARD ALSO SUPPORTS NON-STANDARD LAUNDRY TUBS. YOU CAN DIG GROOVES ON THE BOARD TO MAKE WASHBOARDS. THE PATTERNS AND COLORS CAN BE CUSTOMIZED. THIS SERIES HAS NO FIXED SIZE, AND YOU CAN FREELY PLAN THE SIZE OF THE BASIN AND THE BOTTOM. NOZZLE DIAMETER.

### Washbasin Size

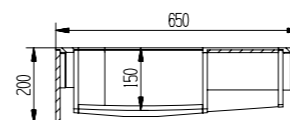
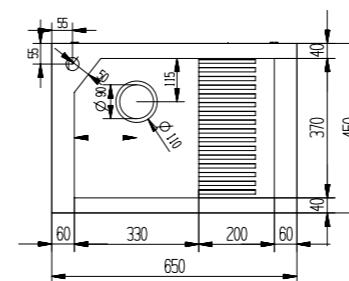
Customized at will



Black and white root balcony basin HEIGHT 200MM

### Washbasin Size

Reference Case Size



Snowflake big twill balcony basin HEIGHT 20MM



8855 Yashi white balcony basin HEIGHT 200MM

### Materials

LANFRY 蓝移石  
Artificial Stone |

