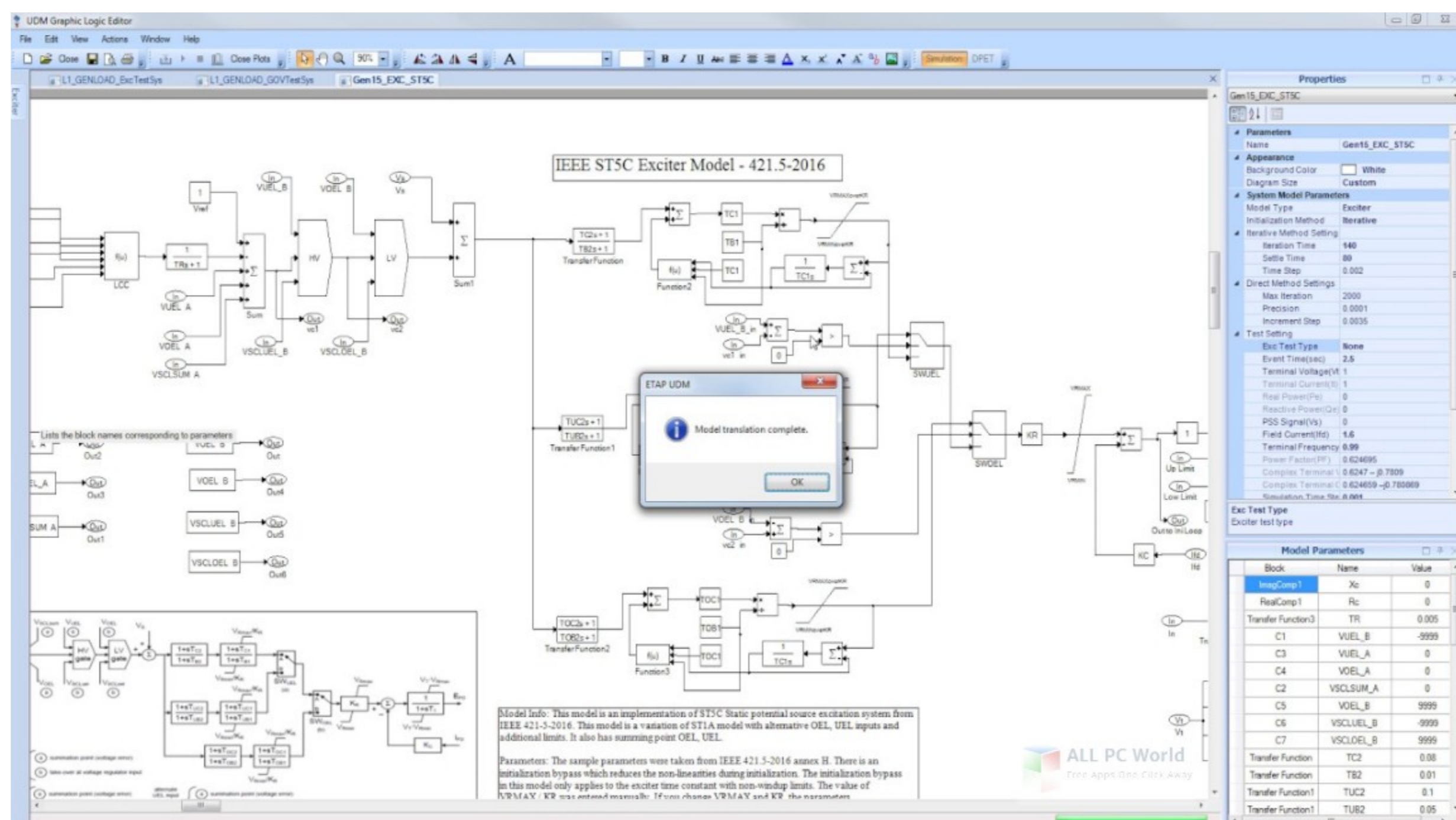




DOWNLOAD

[Etap 12 Crack Full Working Torrent Download](#)



[Etap 12 Crack Full Working Torrent Download](#)



DOWNLOAD

