



**OFFICE**  
Operable Partition

Foshan Locioo Co., Ltd  
Room 1023,10th floor,GuoXun Plaza,FoShan,China  
[www.rhea-partitions.com](http://www.rhea-partitions.com)  
+86 757 8399 8841  
[1@locioo.com](mailto:1@locioo.com)

## BRAND PROFILE

LOCIOO established in 2008 , we are a factory which specializing in the R & D and production of interior modular partition walls ,PDLc film/glass,SPD glass,PNLC glass, our workshop covering an area of more than 6800 square meters. Since from 2010, after many aspects of research and development and experiments, we finally selected the indoor modular partition wall series products with inner steel keel and outer aluminum structure as the our benchmarked product, and already obtained numbers of appearance design patents since then.

Our team aim to fully understand and meet the individual needs of various customers, from design concept, project budget, from function to construction supervision, planning and other final solutions.



## CONTENTS

01 / BRAND PROFILE

03 / ALUMINUM ALLOY RAIL SYSTEM

07 / STRUCTUAL INSTALLATION

11 / Store Path

13 / Model OJ85G

15 / Model OJ66

17 / Model OJ85

21 / Model OJ100

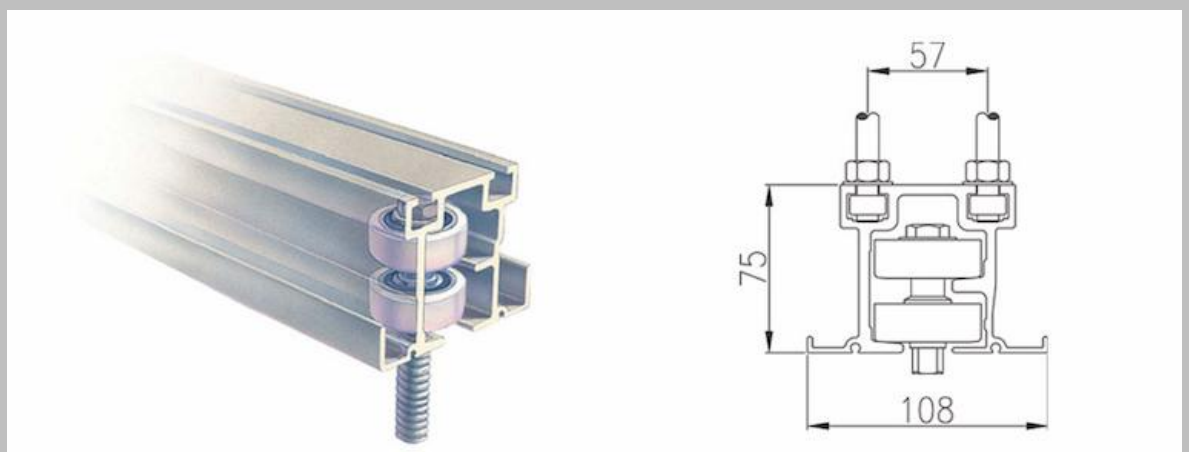
23 / SYSTEM PARAMETER

25 / PROJECT REFERENCE

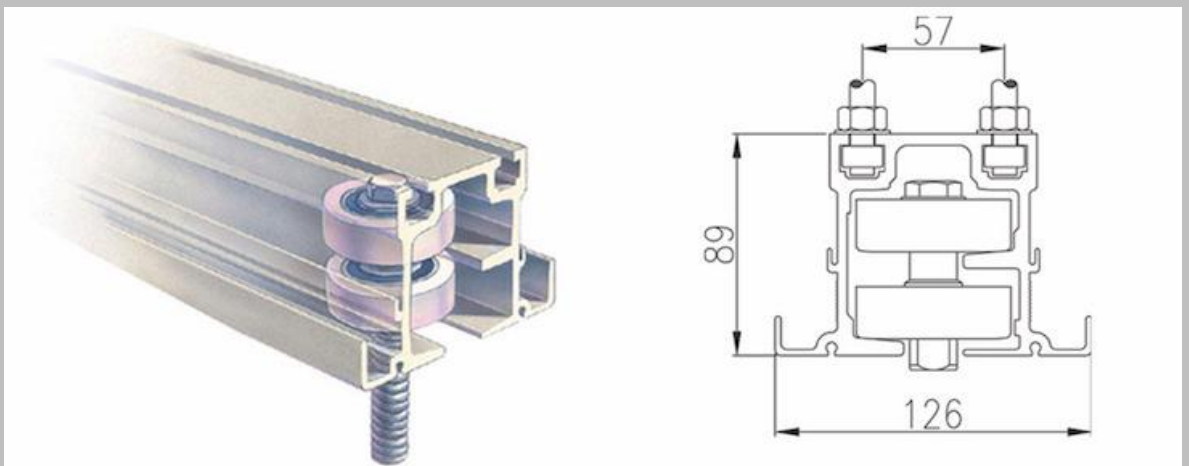
# ALUMINUM ALLOY RAIL SYSTEM



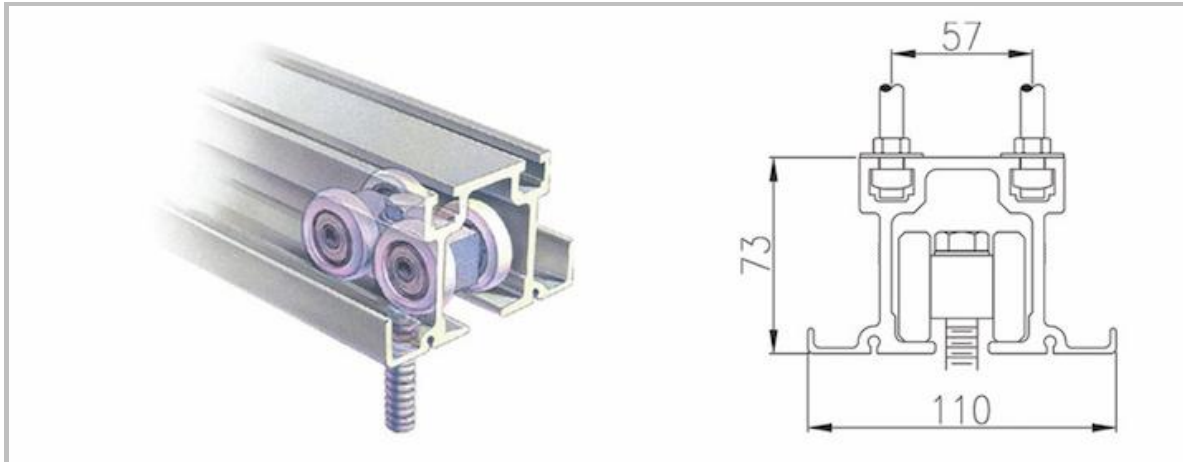
The RHEA ground rail is shaped by the Standard6036-T6 aluminum alloy and is oxidized by silvery white positive pole. The selected aluminum can be made into a standard shape. The unique design ensures perfect combination between rail and rail, and between partition and rail. The oxidized rail provides a serene, solid and rust-proof interface for the running of operable partition. A wide range of rails are for your selection based on the weight and structure of partitions. Every rail has passed the service life test, proving that it can provide a minimum service for operable partitions to run 161 km in approximately 15 years.



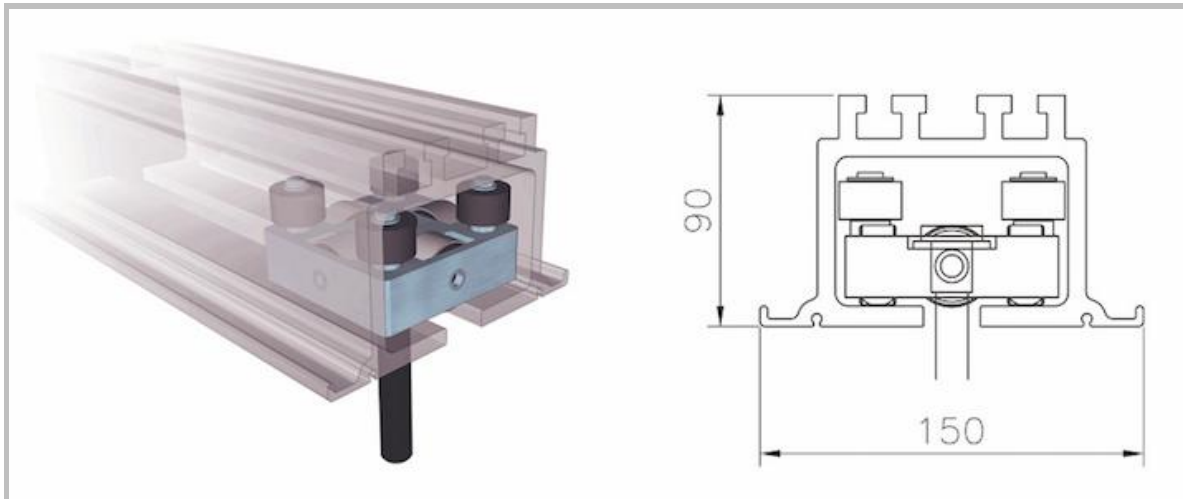
Model:#108 ground rail  
Multi-direction style  
Able to bear weight of 230/kg for each piece of partition



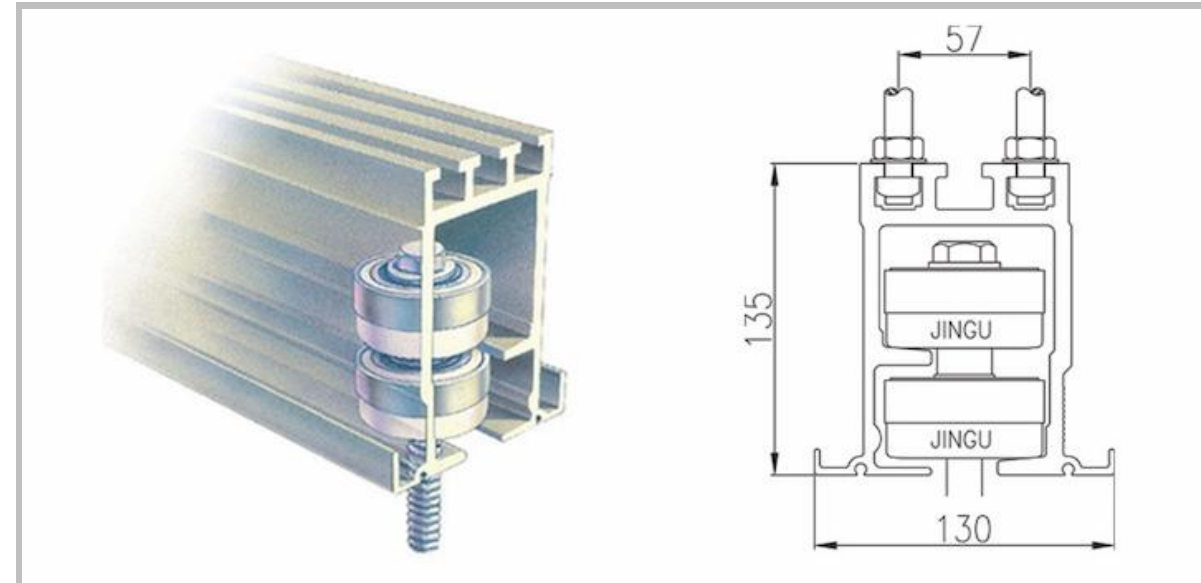
Model:#126 ground rail  
Multi-direction style  
Able to bear weight of 460/kg for each piece of partition



Model:#110 ground rail  
Multi-direction style  
Able to bear weight of 420/kg for each piece of partition

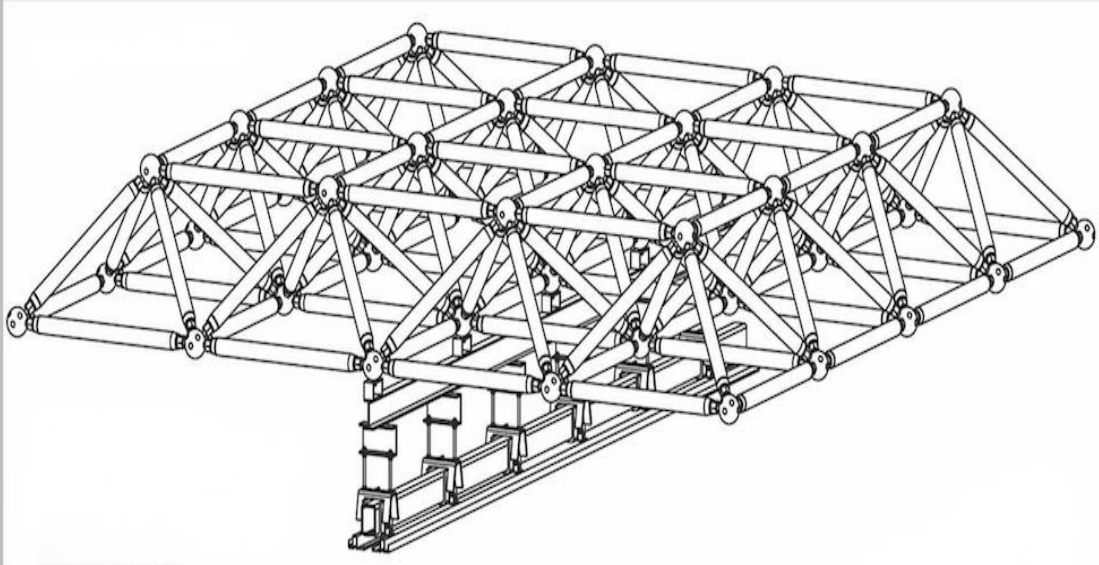


Model:#150 ground rail  
Multi-direction style  
Able to bear weight of 600/kg for each piece of partition

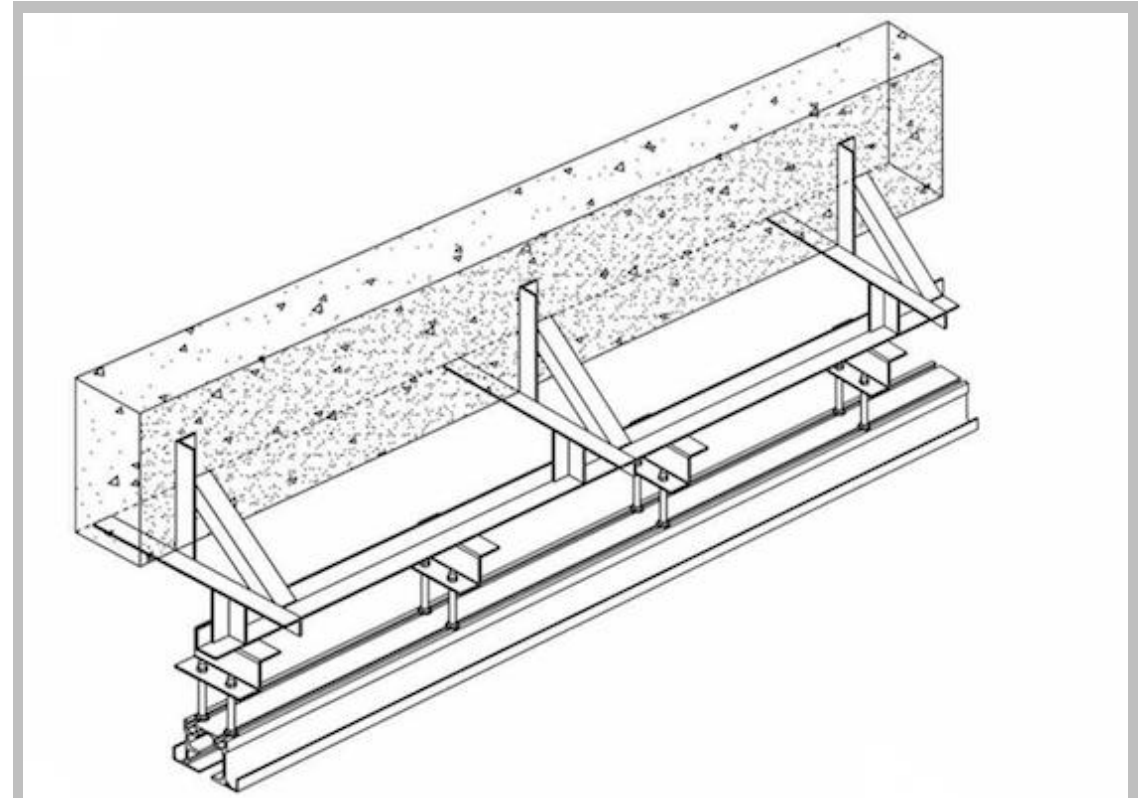


Model:#130 ground rail  
Multi-direction style  
Able to bear weight of 700/kg for each piece of partition

## STRUCTURAL INSTALLATION



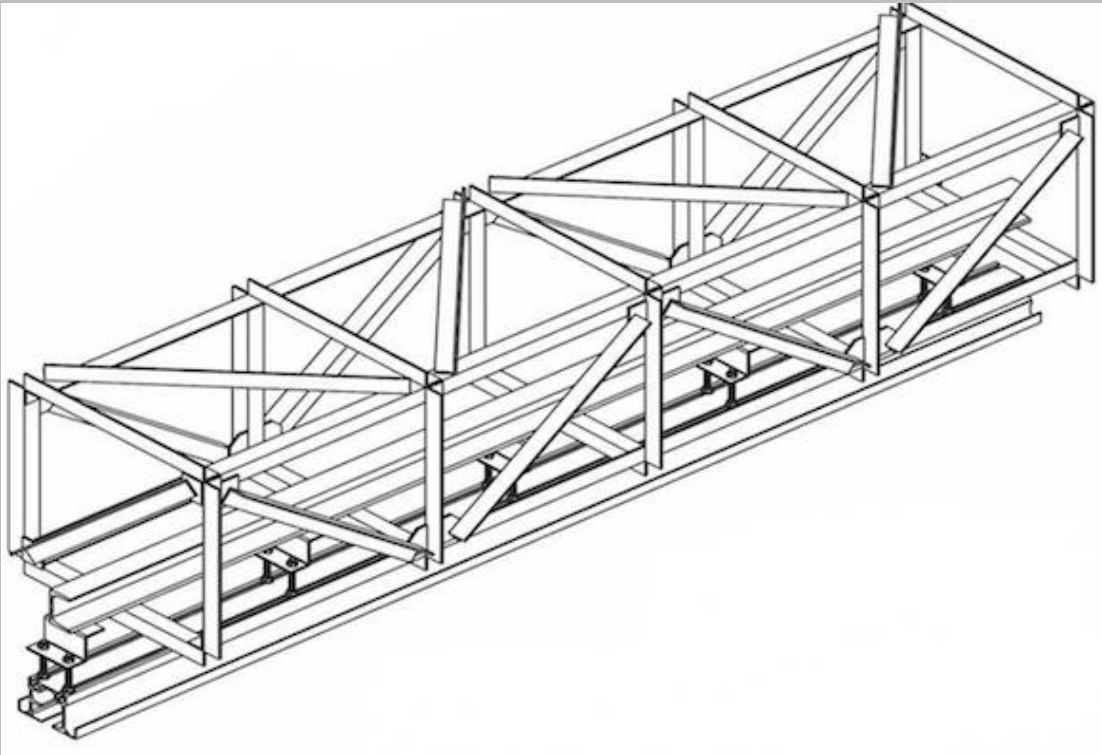
INSTALLATION SKETCH OF THE SPHERICAL RACK;  
RHEA technicians can cleverly employ complex structures  
such as the spherical rack.



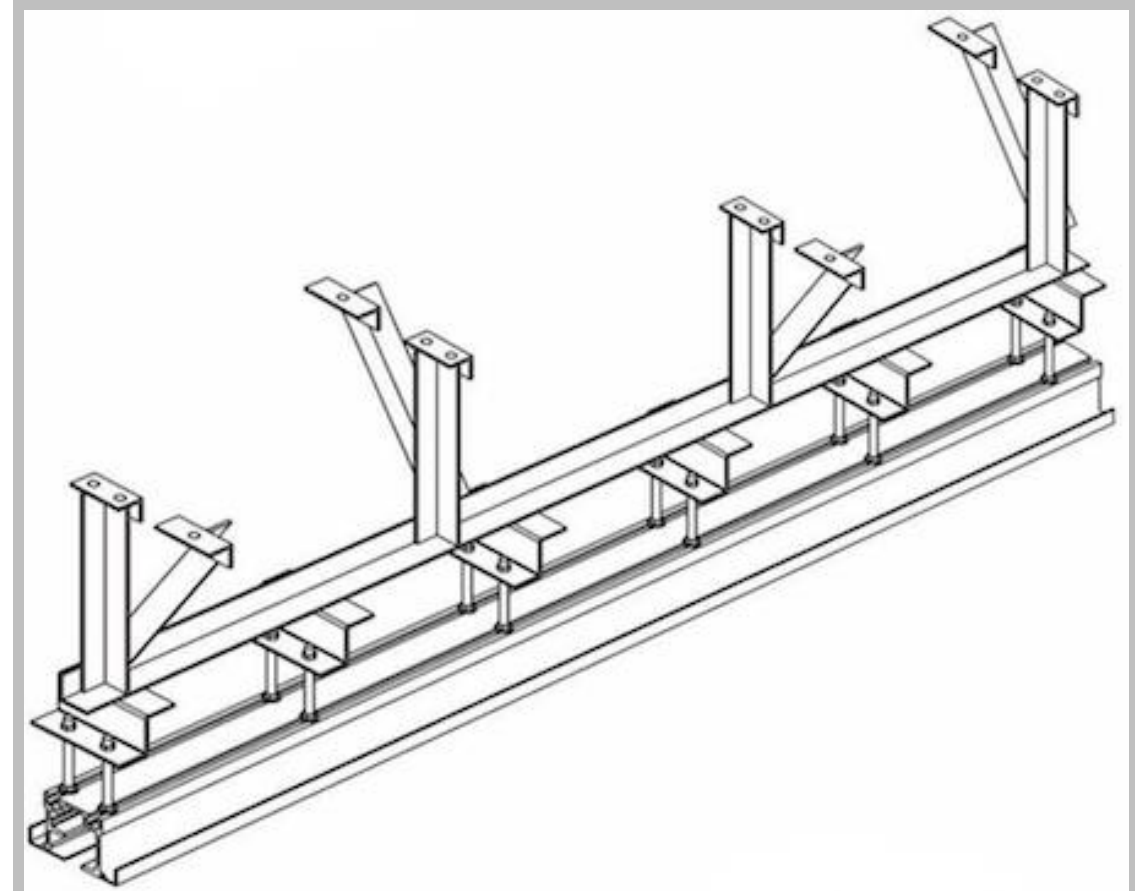
### INSTALLATION SKETCH OF BEAM SIDES

The beam sides can be utilized to bear some weight when the  
weight of the object is not below the beam.

## STRUCTURAL INSTALLATION



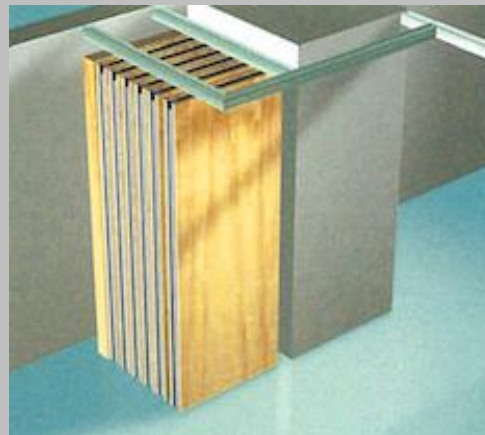
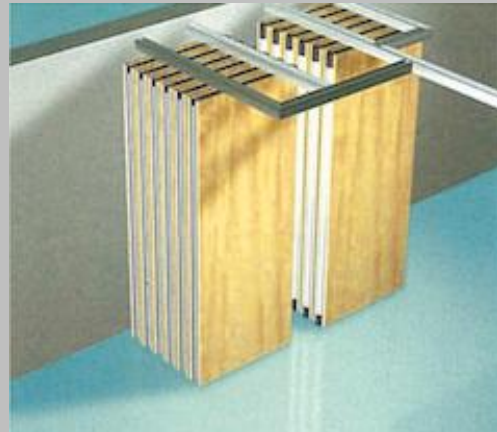
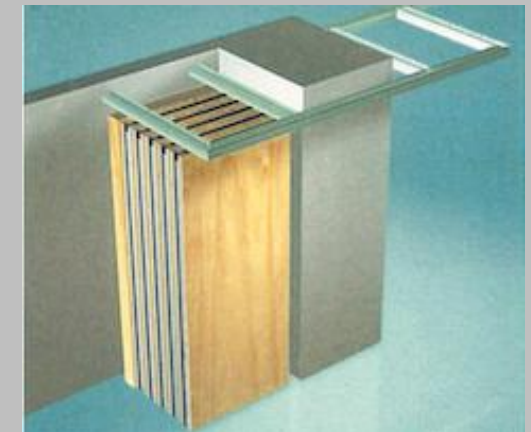
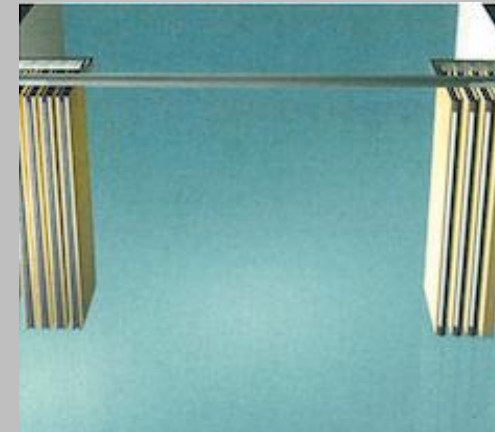
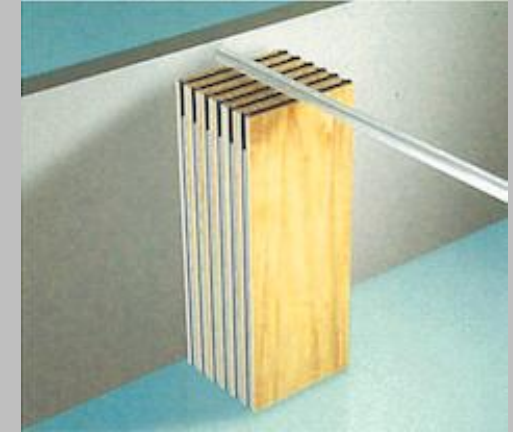
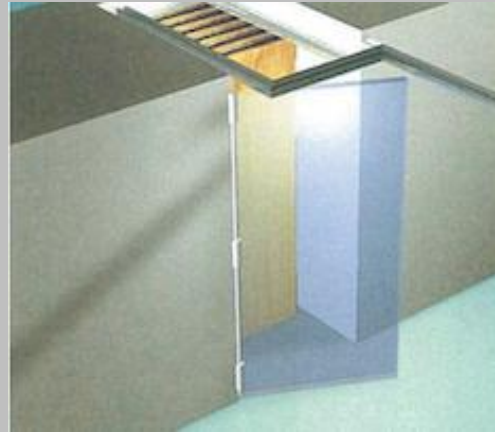
INSTALLATION SKETCH OF THE TRUSS STRUCTURE;  
This plan can be used when the weight bearing of the top of the structure is limited.



INSTALLATION SKETCH OF PANEL BOTTOM  
Using the setscrews in the panel bottom is the most typical and routine installation plan.

## Store Path

LOCATION TO STORE STANDARD OPERABLE PARTITION:  
RHEA operable partitions are planned via the latest computer software by our trained designers. Every plan enables scientific, effective and rational employment of space





Model OJ85G  
Double Glazed

# Model OJ85G

Double Glazed

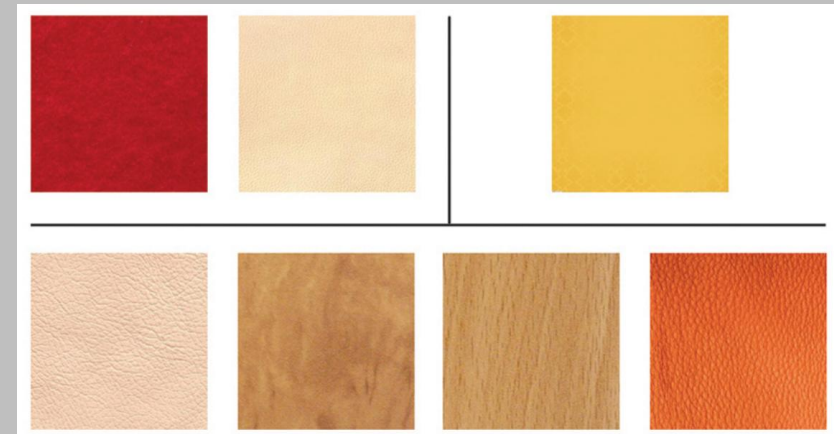
- 85mm operable wall thickness
- Acoustic performance:44dB-48dB
- The height can reach 3300mm
- Half-automatic type Available

The double-layer tempered glass hidden frame movable screen is the glass screen with the narrowest frame currently on the market. It has the advantages of beauty, transparency, sound insulation, and flexible space. It can have built-in blinds. It is an ideal choice for offices, conference rooms, clubs, shopping malls, and hotels. It is a great product for partitioning in places such as airports and airports.

## Model OJ66

- 66mm operable wall thickness
- Acoustic performance:32dB-36dB
- The height can reach 4500mm

It is suitable for private rooms of restaurants, small conference rooms, ordinary offices, etc. with average sound insulation requirements. It can be applied to art galleries, museums, exhibition halls and other temporary exhibition venues.

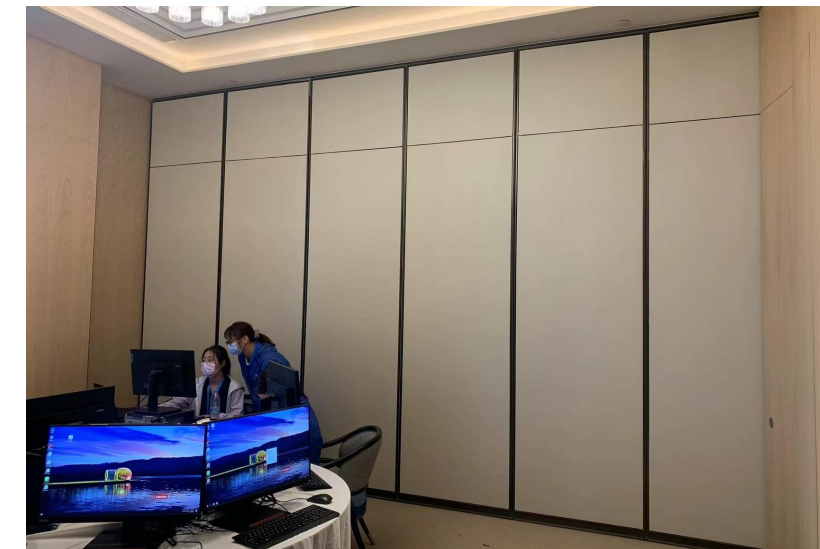


## Model OJ85

- 85mm operable wall thickness
- Acoustic performance:44dB-48dB
- The height can reach 3300mm
- Half-automatic type Available

It is widely used in banquet halls, multi-function halls, large conference rooms, etc. of star-rated hotels with high sound insulation requirements.

It can be applied to art galleries, museums, exhibition halls and other temporary exhibition venues.



Model OJ85



Automatically drop and seal when closing the door

## Model OJ85

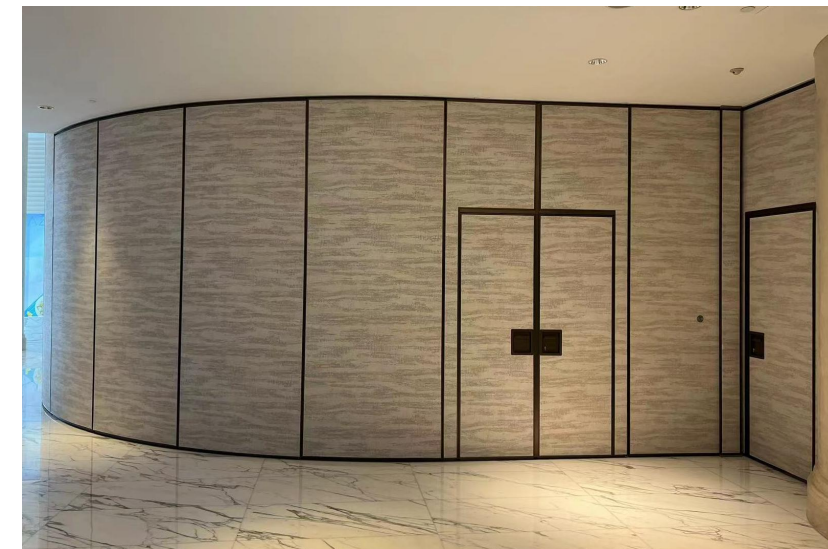
The operable partition features the functions of separating space and sound insulation. The RHEA product series interprets the outstanding sound insulation effect with its unique design. The close combination among the metal fasteners between partitions effectively blocks sound transmission.

Besides, based on different requirements, the basic panel can be dealt with further acoustic process, such as drilling or cracking in the basic panel to effectively reduce sound reflection. To achieve the optimal sound insulation in actual decoration, it is highly advised to contact us during the layout planning period (such as sound passage, connection pattern of wall structure, etc.)

## Model OJ100

- 100mm operable wall thickness
- Acoustic performance:45dB-53dB
- The height can reach 7500mm
- Half-automatic type Available

Widely used in large banquet halls, multi-functional halls, convention and exhibition centers, Large venues with high sound insulation requirements such as gymnasiums and auditoriums



Model OJ100

### PARAMETER OF OPERABLE PARTITION SYSTEM

Model	Specification (mm)			Acoustic
	Thickness (mm)	Width (mm)	Height (mm)	
G360	40	600-1100	2200-3300	32
OJ66	66	600-1220	2200-4500	32-36
OJ66S	66	600-1220	2200-4500	32-36
OJ85	85	600-1220	2200-6000	45-51
OJ85S	85	600-1220	2200-6000	45-51
OJ85G	85	800-1100	2200-3300	47
OJ100	100	600-1220	2200-7500	45-53
OJ100S	100	600-1220	2200-7500	45-53
OJ超高型	100	600-1220	7000-18000	47-55

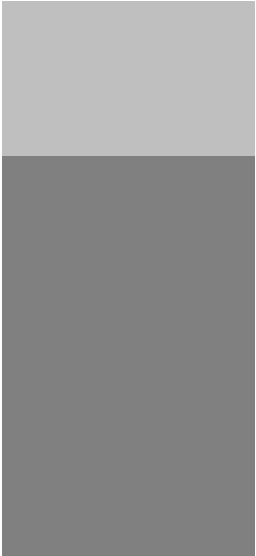
### PARAMETER OF OPERABLE PARTITION SYSTEM

Hermetic Bar Flex Distance (mm)	Weight (KG)	Panel Material
Top	25	Plywood
Top 25mm › Bottom 19mm	25	
Top 25mm › Bottom 19mm	25	Gypsum Board
Top 25mm › Bottom 19mm	25	
Top 25mm › Bottom 19mm	25	MDF Board
Top 25mm › Bottom 19mm	25	
Top 25mm › Bottom 19mm	25	Melamine Decorative Lamination
Top 25mm › Bottom 19mm	25	
Top 25mm › Bottom 19mm	25	Galvanized Steel Plate
Top 25mm › Bottom 19mm	25	

PROJECT REFERENCE



PROJECT REFERENCE



PROJECT REFERENCE



PROJECT REFERENCE





The Excellent Workplace Design.

[www.rhea-partitions.com](http://www.rhea-partitions.com)  
Mail:1@rhea-partitions.com



# THANKS

RHEA  
makes the working space

