

SWIR 16-160mm Motorized Continuous Zoom Lens

[SPECIFICATIONS] Applicable Fixed Lens to InGaAs Camera(900~1700nm)

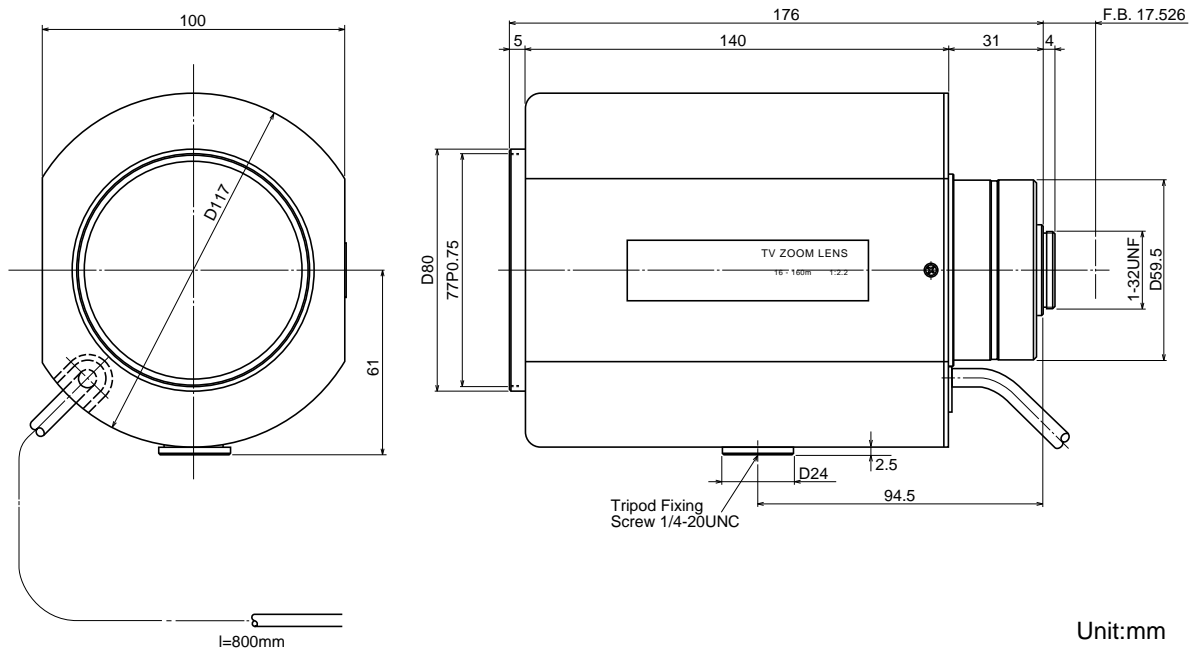
Image Size: 1

<p>Focal Length : 16 - 160mm</p> <p>Maximum Relative Aperture : 1:2.2(Tele End 1:2.7)</p> <p>Iris : F2.2 - Close</p> <p>Zoom Ratio : 10X</p> <p>Angular Field of View : 43.6 X33.4 deg. at 16mm 4.6 X 3.4 deg. at 160mm</p> <p>Image Format : 12.8X9.6mm(D16mm)</p> <p>Minimum Object Distance : 1.1m(From Front Vertex)</p> <p>Object Dimensions at M.O.D. : 88.0X66.0cm at 16mm</p>	<p>Flange Back : 17.526mm</p> <p>Operation : Zoom : Motorized(DC+/-6.4V, Max80mA) Speed Approx. 5.5sec.</p> <p>Focus : Motorized(DC+/-6.4V, Max80mA) Speed Approx. 8sec.</p> <p>Iris : Remote Iris</p> <p>Operation Temperature : -40 to +70</p> <p>Mount : C-Mount(Adjustable Lens Position)</p> <p>Front Thread : 77mm P0.75</p> <p>Size, Weight : 117X100X176mm, Approx. 1.4kg</p>
---	---

[COMPOSITION]

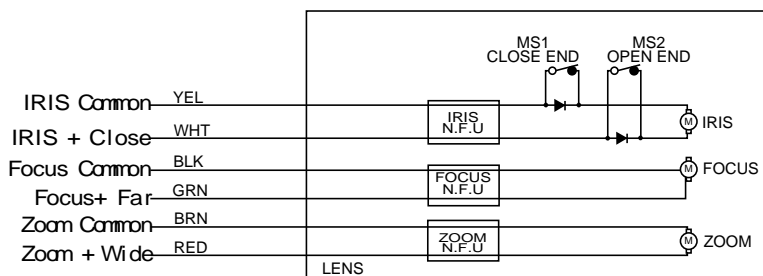
- Lens1
- Lens Cap1
- Dust Cap1

[DIMENSIONS]



Unit:mm

[CIRCUIT DIAGRAM]



SWIR 32-320mm Motorized Continuous Zoom Lens

[SPECIFICATIONS] Applicable Fixed Lens to InGaAs Camera(900~1700nm)

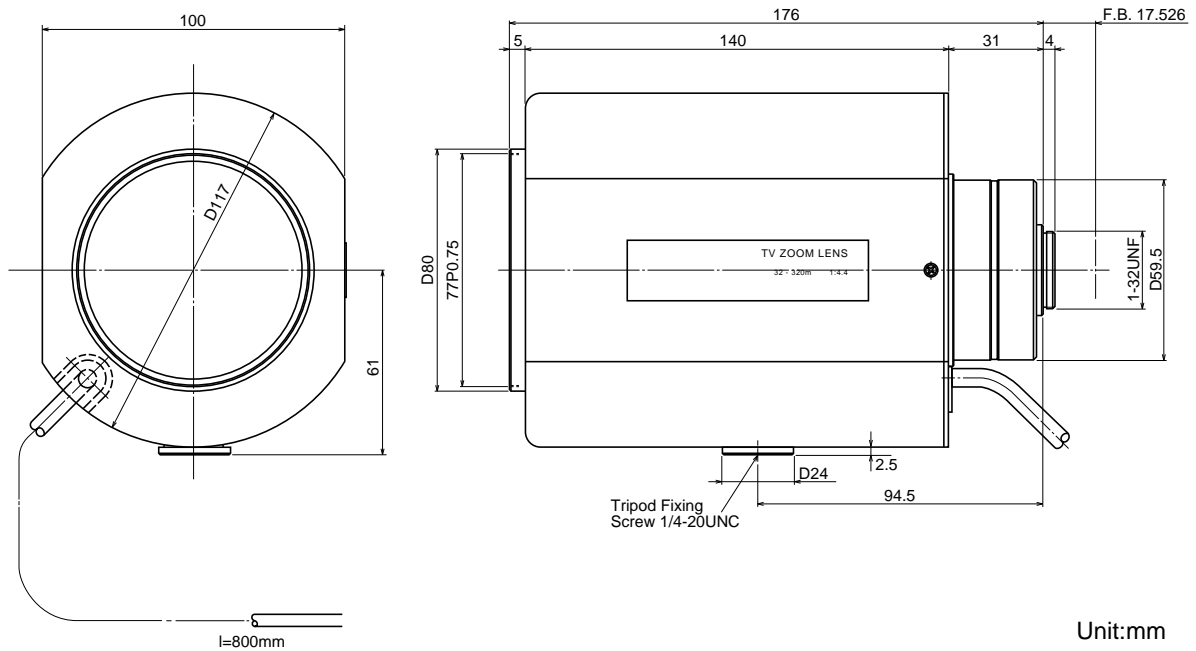
Image Size: 1

Focal Length :	32 - 320mm	Flange Back :	17.526mm
Maximum Relative Aperture :	1:4.4	Operation :	Zoom : Motorized(DC+/-6.4V, Max80mA) Speed Approx. 5.5sec.
Iris :	F4.4 - Close	Focus :	Motorized(DC+/-6.4V, Max80mA) Speed Approx. 8sec.
Zoom Ratio :	10X	Iris :	Remote Iris
Angular Field of View :	21.8 X16.7 deg. at 32mm 2.3 X 1.7 deg. at 320mm	Operation Temperature :	-40 to +70
Image Format :	12.8X9.6mm(D16mm)	Mount :	C-Mount(Adjustable Lens Position)
Minimum Object Distance :	2.2m(From Front Vertex)	Front Thread :	77mm P0.75
Object Dimensions at M.O.D. :	88.0X66.0cm at 32mm 8.8X 6.5cm at 320mm	Size, Weight :	117X100X176mm, Approx. 1.4kg

[COMPOSITION]

- Lens1
- Lens Cap1
- Dust Cap1

[DIMENSIONS]



[CIRCUIT DIAGRAM]

