

PACIFIC

Pacific-02C Round dining table

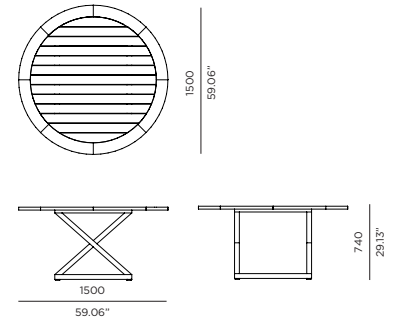
FRAME



Teak natural



Teak burnt charcoal



SPECIAL FEATURES



PROTECTIVE COVER

DESCRIPTION:

Introducing, the Harbour Pacific Collection. A coastal, modern design, the Harbour Pacific Collection combines thick, removable arms, which creates custom sections of your choice. Robust, solid, and heavy duty, this brand new teak range can mold to any outdoor living space with ease. We take grade-A Indonesian, plantation teak to form a fresh collection with Harbour's classic quality and style. From teak folding chairs with Harbour's unique folding mechanism, extendable teak top tables, stacking sunbeds, and sofas with removable arms that create up to twelve layout combinations, the Pacific collection is designed to suit any need.

PROTECTIVE COVERS:

Protect your investment with water-repellent Sea-Sprae® fabric; protective backside coating, UV resistant.

SHIPPING AND DELIVERY:

Stock frames and stock cushions delivered in 1-3 weeks.
Stock frames with COM cushions delivered in 3-6 weeks.
Custom Orders delivered in 10-14 weeks.

WARRANTY:

FRAMES: 5 limited warranty on structural integrity.
MATERIALS: 2 year limited warranty.

TECHNICAL INFORMATION

TEAK:
100% plantation grown, premium A-Grade teak.
Net Weight: 73 kg / 160.9 lb