



2023
USER MANUEL

SWING UP LIFTING SYSTEM(HS)

KODES.HFUM18-11E



CONTENTS

Safety Precaution	3
Attention Mark	3
Important Safety Remind	3
HS Swing Up Lifting System	
I. Product Display	4
II. Installation of cabinet accessories	6
III. Installation of the cabinet door	8
I. Combination of the cabinet and the door	10
II. Installation of the WIT Driver	12
WIT DRIVER	
I. Product Display	15
II. Specification	16
III. Setting	16
IV. Trouble shooting	20
Warranty	22

Safety Precaution

- Please read the Intelligent Lifting System User Manual before installing the product.
- Kodes does not assume any responsibility for any damage caused by failure to comply with the installation instructions.
- This product can only be used in dry condition and indoor area; this product can only be used with Kodes power
- Do not disassemble or repair this product except KODES maintenance, otherwise warranty void.

Attention Mark

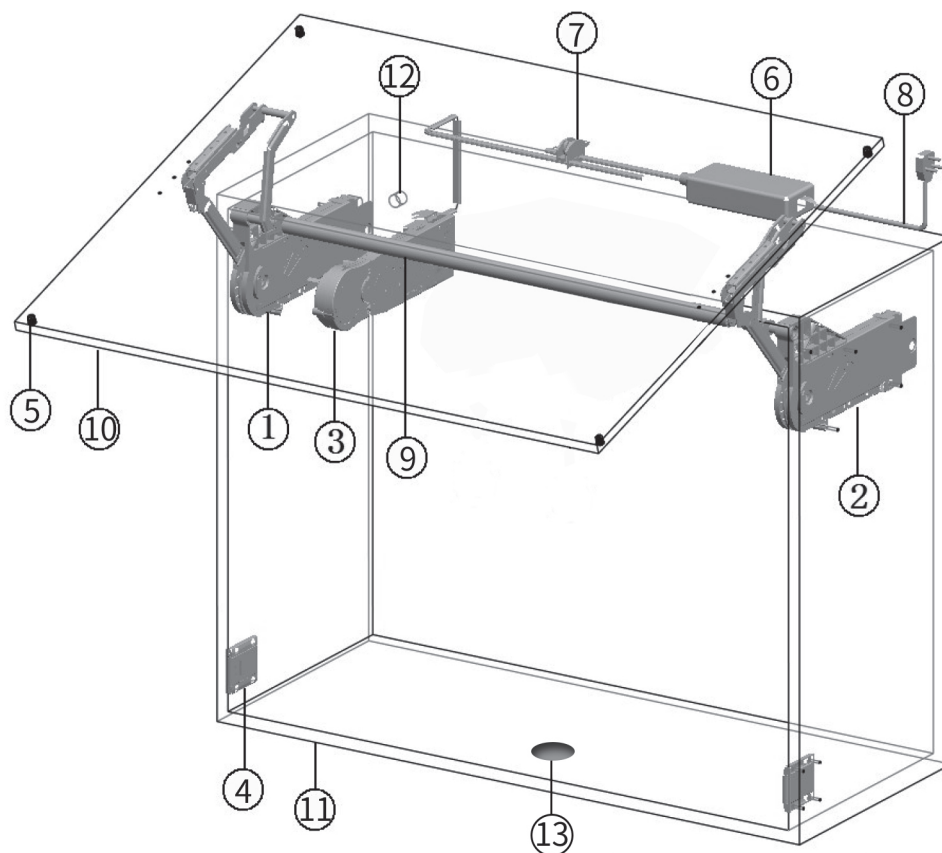
	Prohibit	<p><u>Prohibit Sign</u> The presence of this symbol meaning that there are prohibited instructions. Ignoring this indication can cause you to be injured or even life-threatening.</p>
	Dangers	<p><u>Dangers Sign</u> The presence of this symbol meaning that you have to be aware of dangers. Ignoring this indication may cause you to be injured or damage to the product.</p>
	Be careful	<p><u>Be careful Sign</u> The presence of this symbol meaning that you can install as usual, but you still need to be careful. Ignoring this indication may cause you to be injured or damage to the product.</p>
	Notice	<p><u>Notice Sign</u> This sign means there are some important suggestions</p>

Important Safety Remind

	<h3>WARNING</h3>
	<p>Prohibit Do not press down the arm before install the panel</p>
	<p>Dangers The arm may cause injury.</p>
	<p>Be careful of the electric shock! Prohibit Never open the power supply; the electric shock can be life-threatening.</p>
	<p>Pay attention to the sharp parts in the quick connector and be careful to cause damage. Be careful After the installation is complete, please put the power cord end cap into the power cord. Do not use damaged parts.</p>

HS System Swing Up Lifting

I. PRODUCT DISPLAY



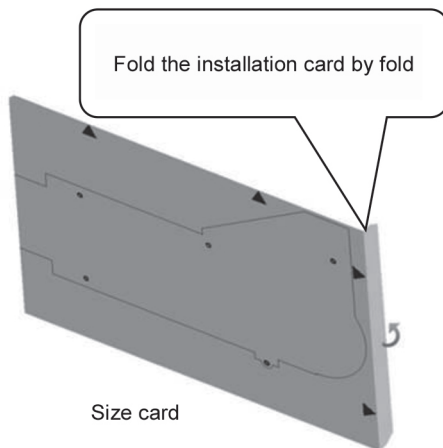
1	Main support frame (right)	8	Power cord
2	Main support frame (left)	9	Balance Bar
3	Intelligence Driver WIT	10	Door
4	Remote control	11	Cabinet
5	Cushioning buckle	12	DC Power cord hole
6	Power supply	13	TT2 remote control hole position
7	DC power connector		

i Please prepare the required tools and related components.

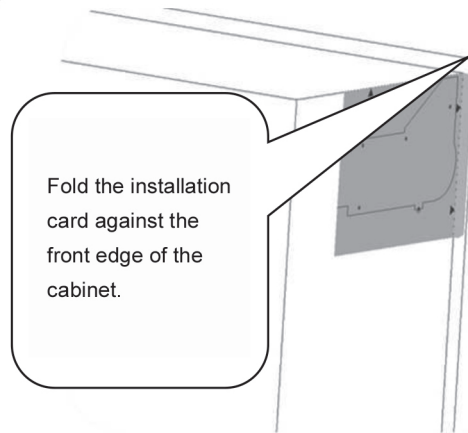
II . Installation of cabinet accessories

Installation of the main support frame

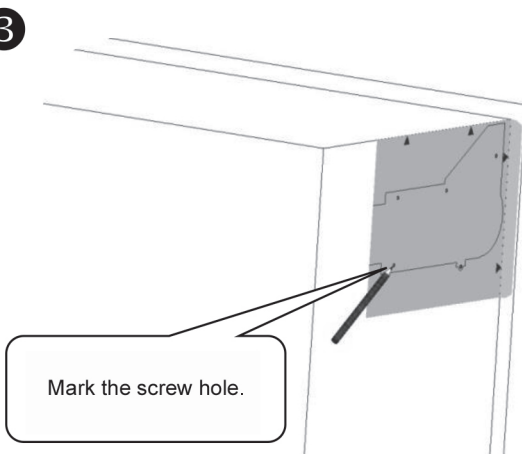
1



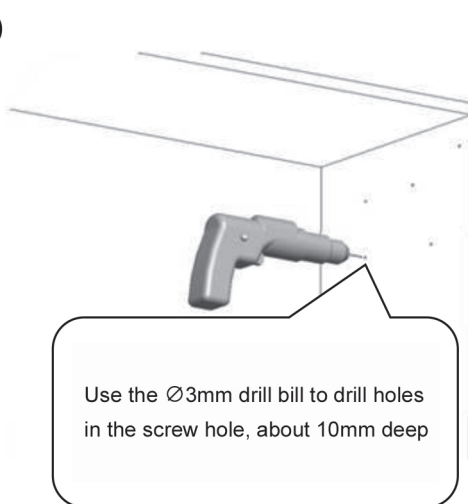
2



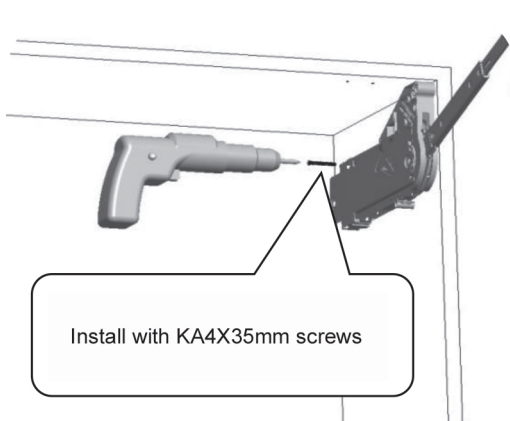
3



4



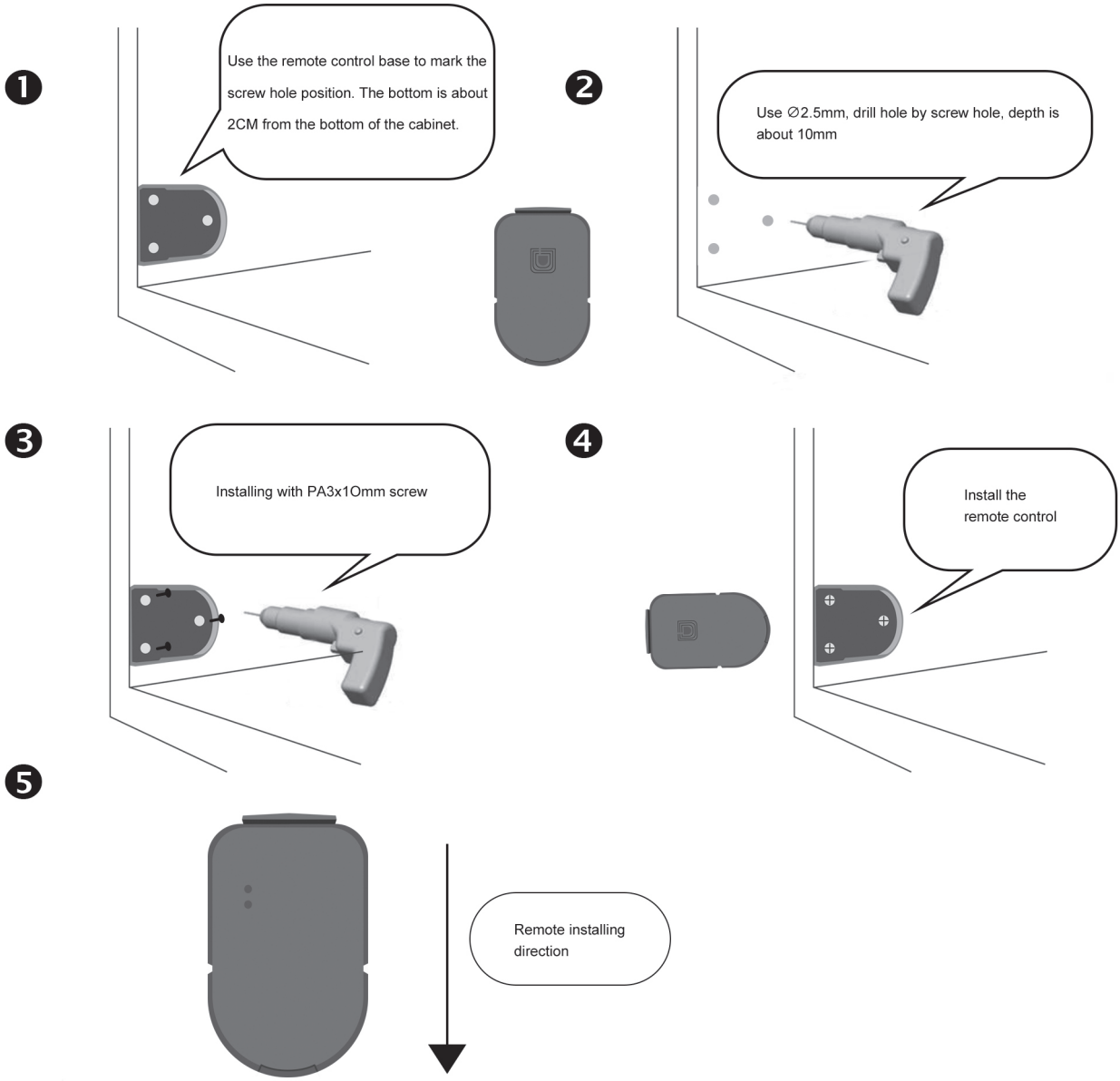
5



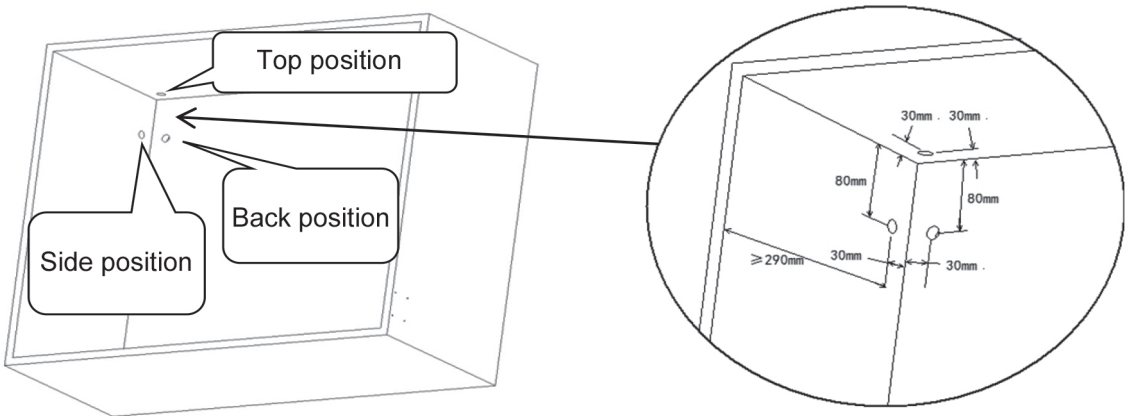
Do not pull down the supporting arm before you install the cabinet door.

Pull down the supporting arm before install the cabinet door, may cause injury or product damage. If it causes the product damage, the warranty will be void.

Installation of remote control



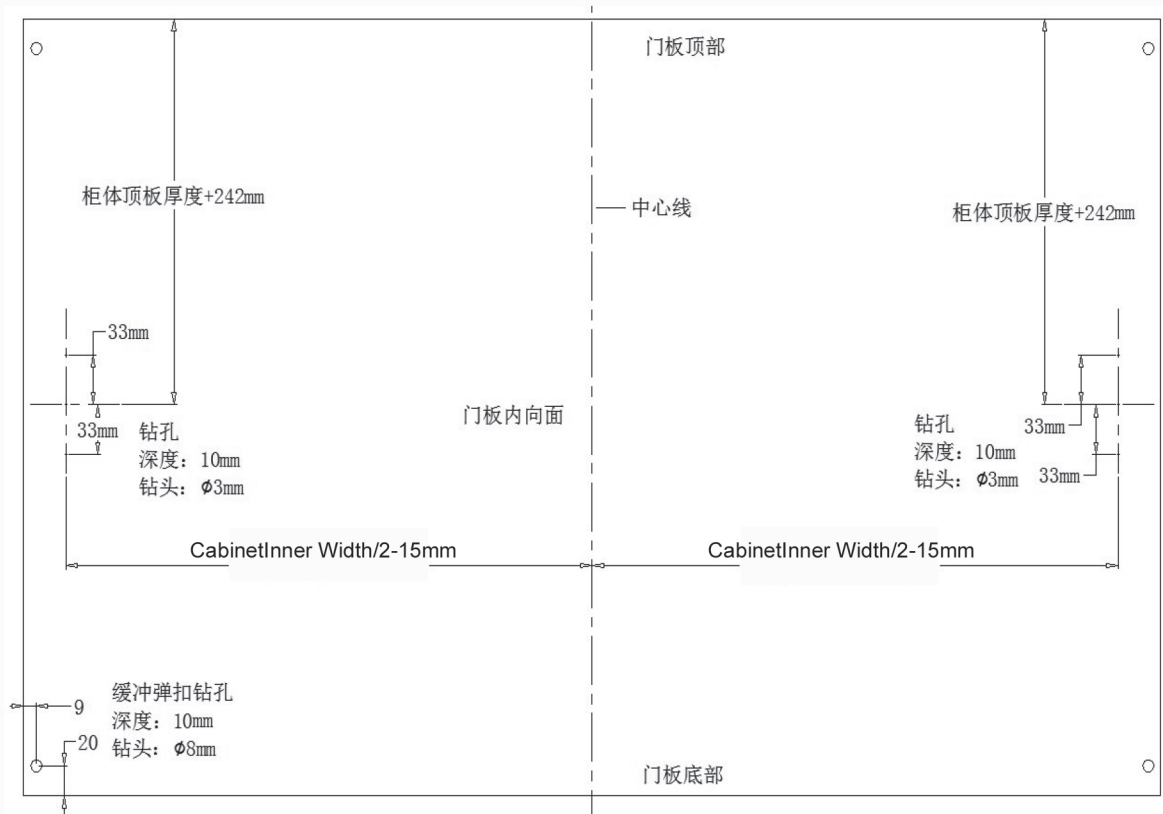
Wiring hole



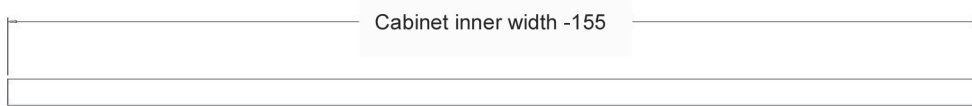
i tis recommended to use a 015mm hole onener for wirine hoi onenine. Pease select the onenine positon actordine to the actual site construction conditons

III. Installation of the cabinet door

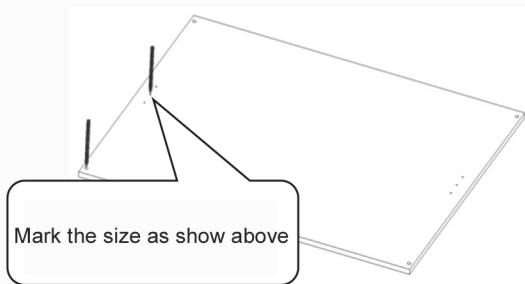
1 Connecting basic and cushioning buckle installing diagram.



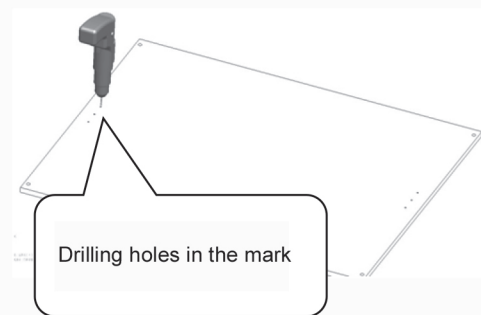
Length of the balance bar



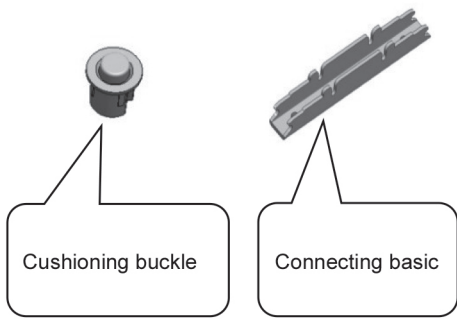
2



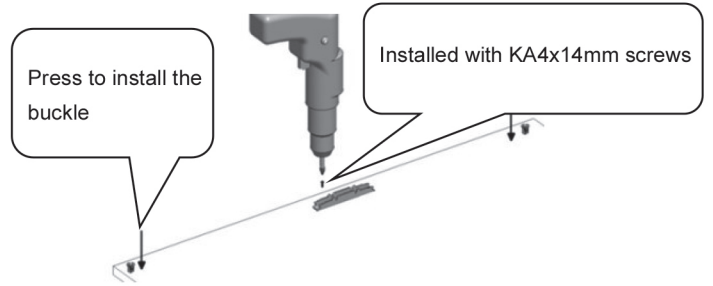
3



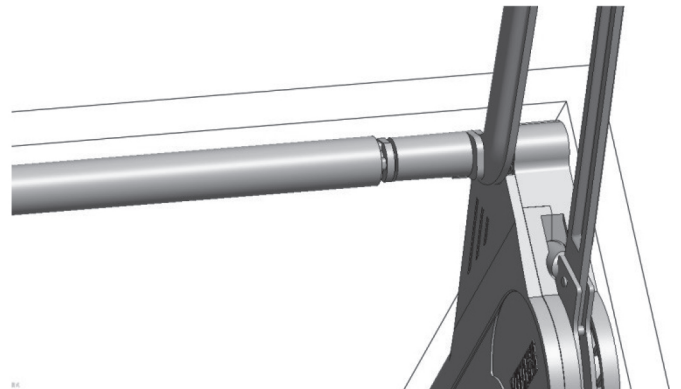
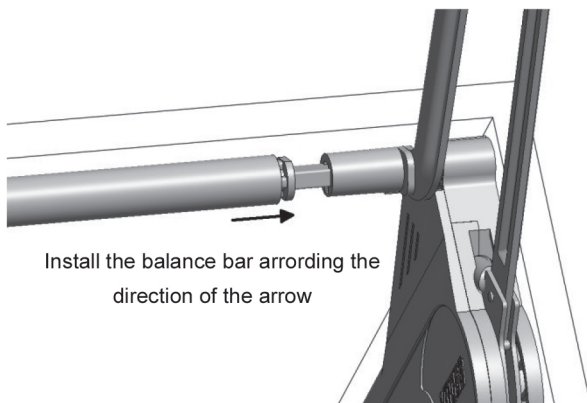
4



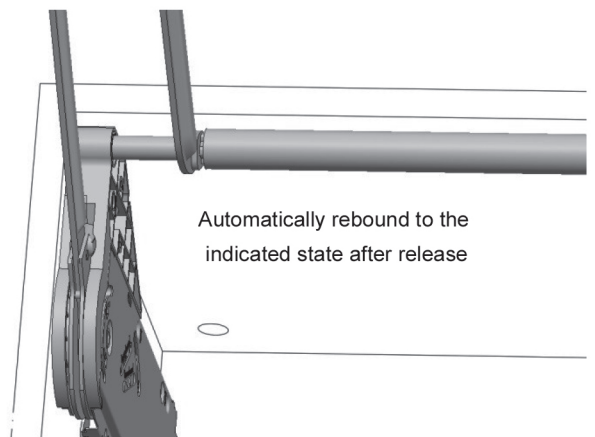
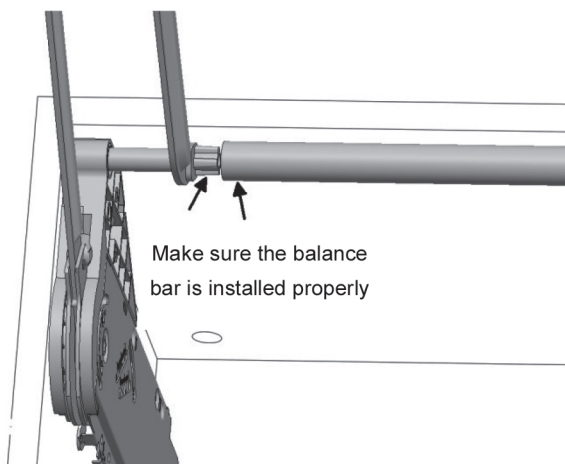
5



6 Install the balance bar



7

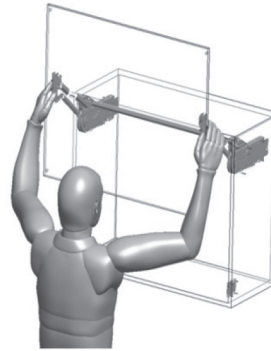


IV. Combination of the cabinet and the door



When you connect the cabinet door with the supporting arm, please pull down the arm carefully, don't release the power before you pull it down completely, otherwise the power of rebounds may cause injury or product damage. If it causes the product damage, the warranty will be void.

- 1 Install the door, make sure the door hinge connected with the base



- 2 Adjust the strength on the main support frame

Adjusting the power of the frame is one of the most important parts for installation.

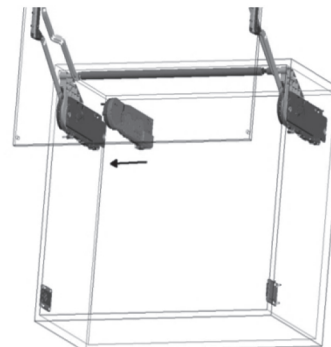
A) If the door opening too powerful or too fast, it means you have to reduce the power of the frame.

B) If the door didn't fully open, it means you have to increase the power of the frame.

- i** **PROMPT** The best position is. when you pull the door to the middle level, then release the door, the door.

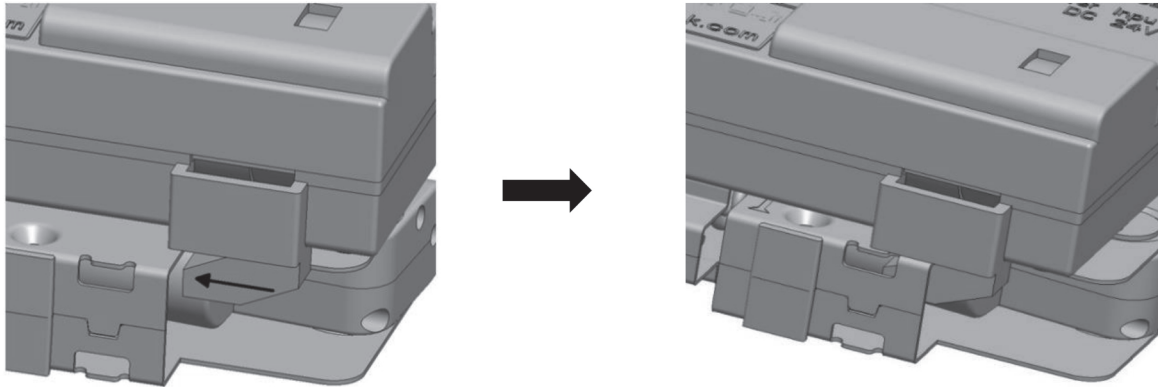


- 3 Install the intelligence driver WIT

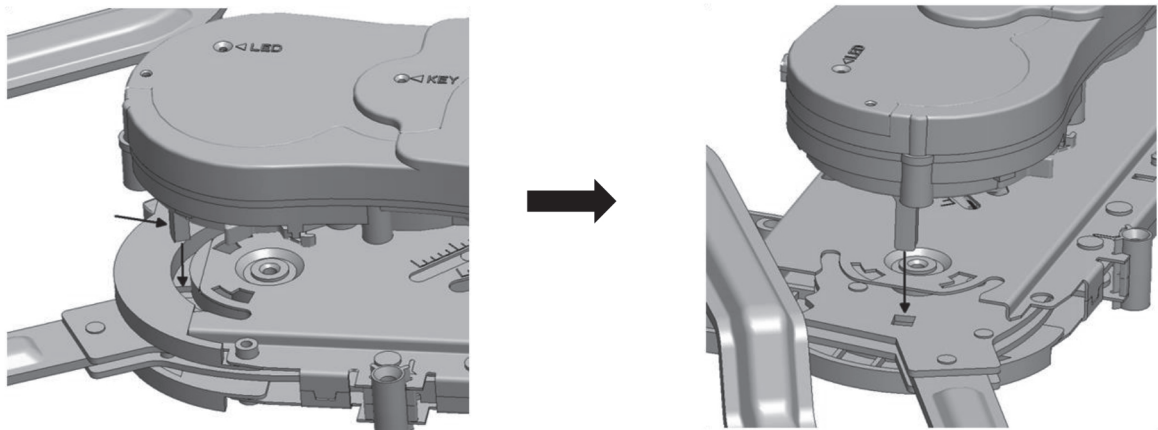


V. Installation of the WIT Driver

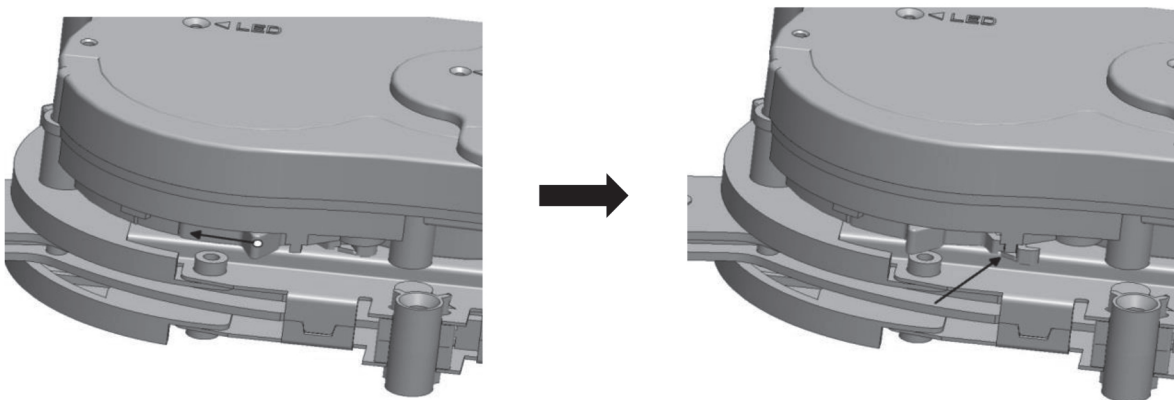
- 1 Push the end of the drive hook into the position shown at the end of the support frame and push it hard toward the front end.



- 2 The front-end power of the driver is aligned with the square hole of the support frame (as shown in the figure), and is pressed into the hole.



- 3 After pressing the driver, push the driver push button in the direction of the arrow until it clicks on the buckle (as shown)

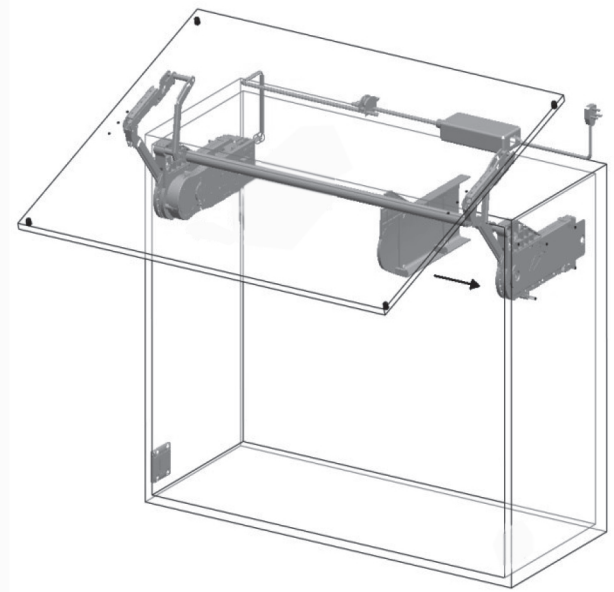


Before installing the cover please complete the WIT driver settings. See the WIT DRIVER Smart Driver section for details.

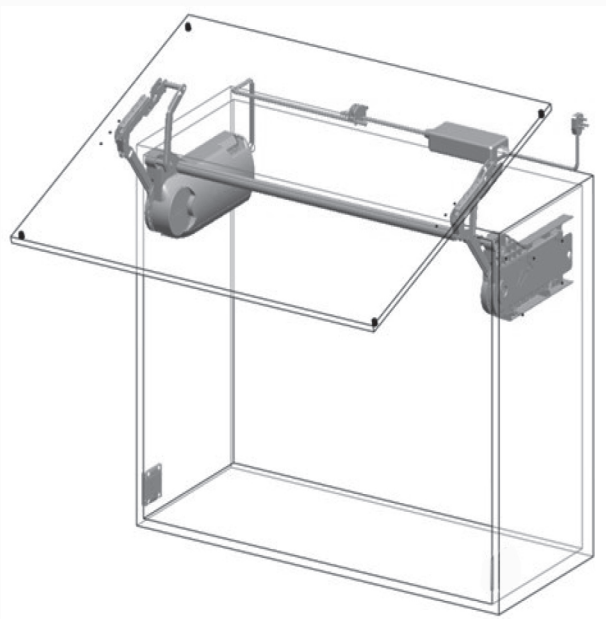
Status of the WIT Driver installed



Install the covers as indicated by the direction of the arrow



Status of the cover installed



WIT DRIVER V2 Driver



User Manuel

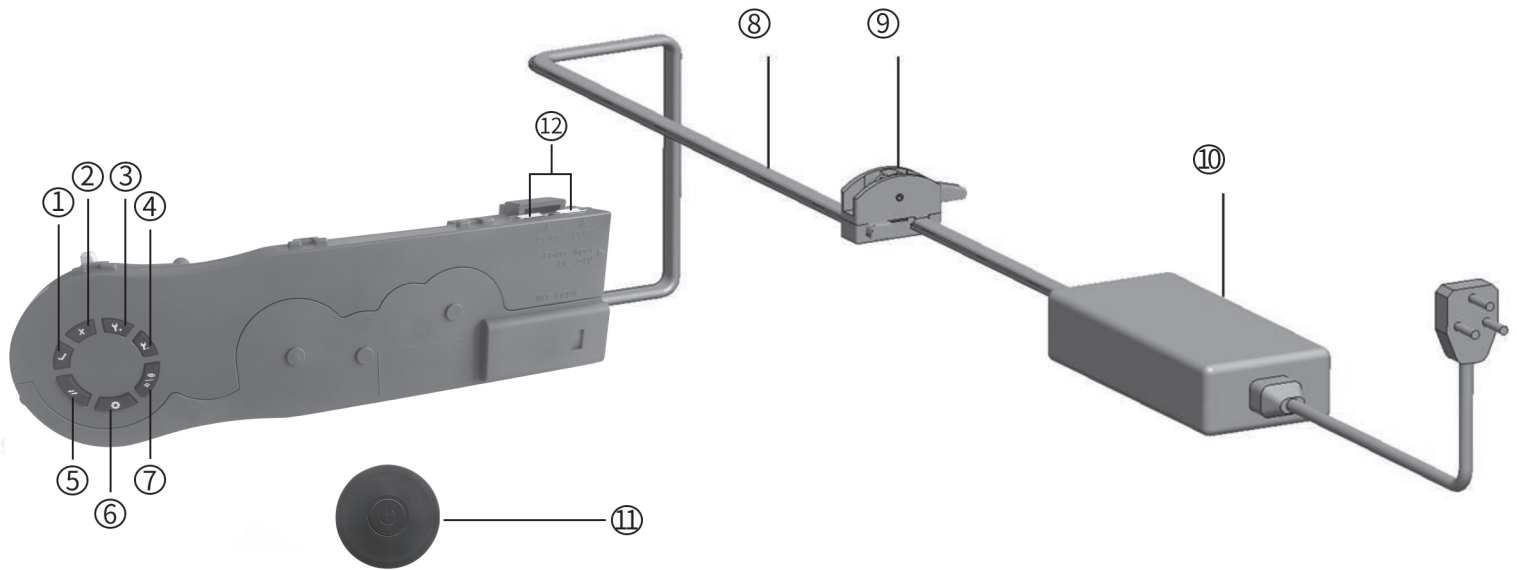


take care

Please make sure the model of driver you install is suit for the cabinet, if install the wrong model, it may cause theproduct damage and human injury. If it causes to the product damage, warranty will be void.

WIT DRIVER V2 Driver

I. Product diagram



1	Function indicator	7	Wifi network connect
2	Reset light	8	Power Cord
3	Strength indicator "+"	9	Power connection clip
4	Strength indicator "-"	10	Power Supply
5	Remote pairing/ cancel remote pairing	11	Touch Remote
6	Data collection button	12	USB interface

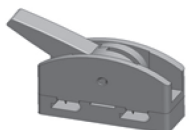
List of the parts and tools



X 1 WIT DRIVER



X 1 Touch Remote



X 1 Power connection clip



X 10 Screw cap



X 10 Screw PA3*10



X 2 Cap of the power cord

II . Specification

WIT DRIVER

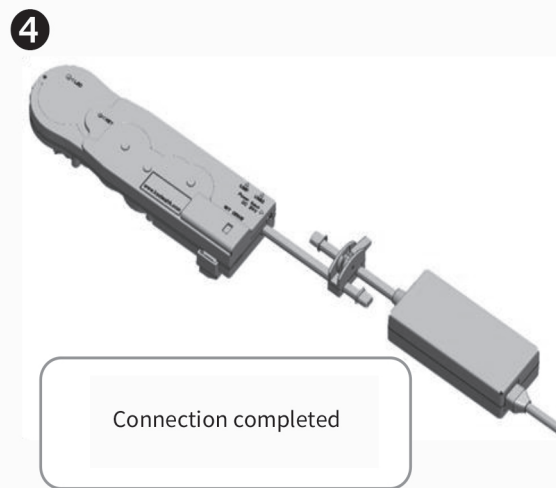
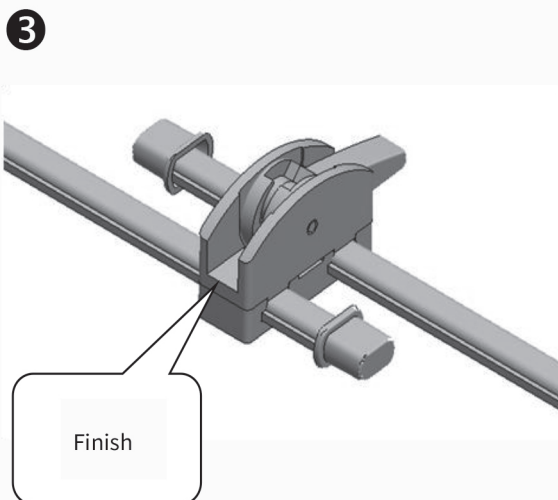
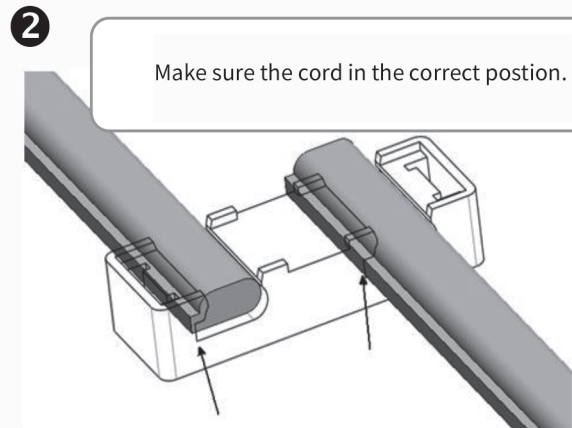
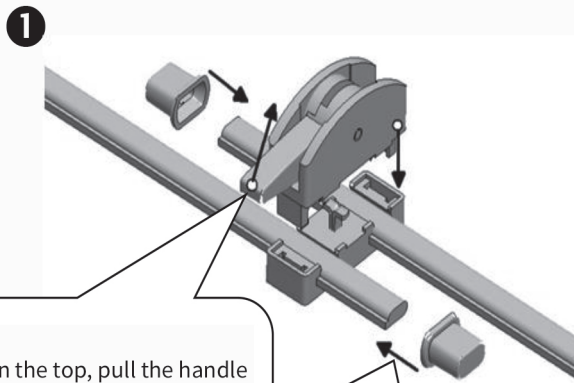
1	Voltage	DC 24V	
2	Max. Power	85W	
3	Standby power	<0.5w	
4	Output Voltage	24V	±0.5V
5	Max. current output	0.8A	Resume protection
6	Control of Power outlet 1	Control by door	

Remote Control

1	Voltage	3V	DC-In
2	Model of battery	CR2032	Button Battery
3	Standby power	<0.0001W	
4	Max distance	<05M	
5	Life of battery	Can using for 30000 times	



II . Setting

A) Connect with power



B) Important Notification

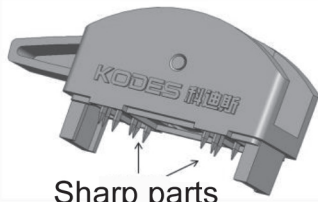

a) Beware of the electric shock



Be careful of the shock, it may threaten life

prohibit

Do not open the power supply, shock is Life threatening




Sharp parts

Be careful of the shape part, it may cause injury

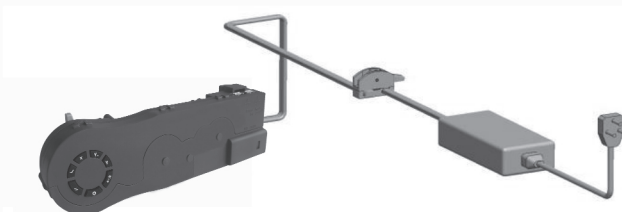
take care

Do not use the damaged components.

b) Do not activate the driver before installed to the frame





prohibit





Do not turn on the power before you installed the driver into the supporting frame, otherwise the product may get damage, if it cause to any damage, the warranty will be void.

c) Beware of the door, it may hit the top when you push the frame down



prohibit

Do not press down the arm before install the panel



dangerous

The arm may cause injury.

C) Matching with the remote control

▶ Remote pairing

First, Press “↔” button in 2 sec. the indicate light is flashing.

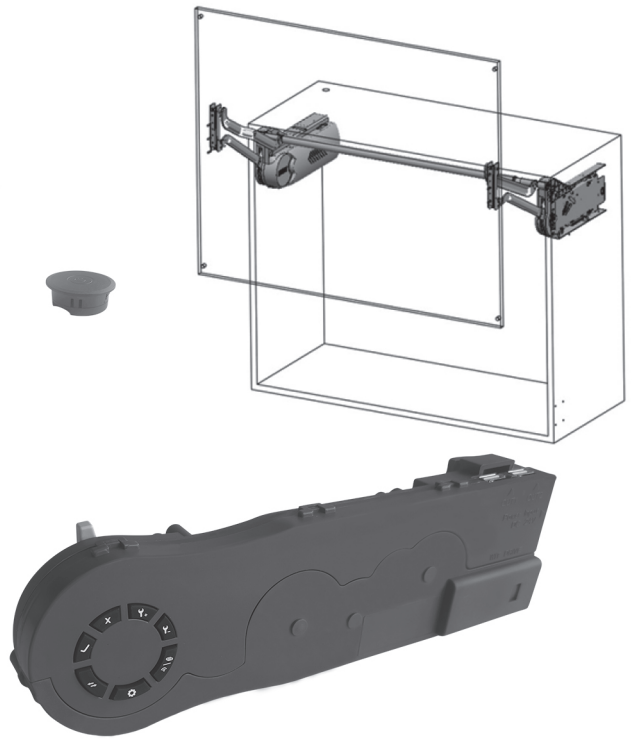
Second, press the remote control 3times. Door will run automatically. Pairing completed.

▶ Data Collection (after remote pairing completed)

Press, “⚙️” indicate light will On. Press remote control 1 time, Door will run a full progress to get the data.

▶ Cancel remote pairing

Long press “↔” button in 5 sec. The Long press indicate light is slow flashing. Release pressing, green and red light are light on the same time. Cancel pairing completed.



take care

Please make sure the model of driver you install is suit for the cabinet, if install the wrong model, it may cause the product damage and human injury. If it cause to the product damage, warranty will be void.

D) Collect the data of route

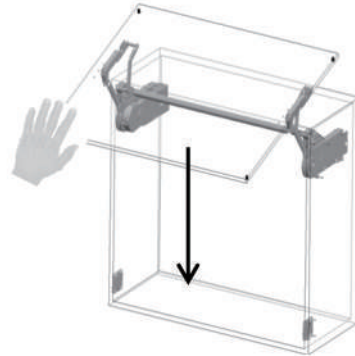
1) Gently press the "⚙️" button, and the function indicator light "✓" will flash.



2) Press the remote control button lightly, and the "X" button will indicate in red that data collection has been completed.



3) Make sure you have the remote on hand, close the cabinet door.



4) Press the remote control, cabinet will open



5) Data collection completed.

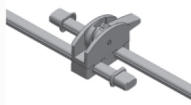






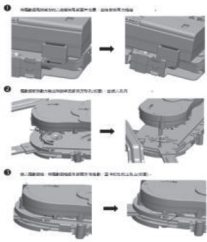


prompt

- Make sure there is no obstacle when the driver is working.
- The anti-pinch function doesn't work when it is in the data collection mode.
- Do not keep press the remote control, it may lose the battery power.
- No matter which setting status you are, you can press the Key button to restart the setting anytime.
- You don't need to redo the setting even there are shortcut of the power.
- The power supply of Kodes, can only support two products at once.

VI. Trouble shooting

	Problem	Reason	Solution
1	Driver no reaction after connected to power	Power did not connect Power cord did not install correctly	Check the connection or replace the power cord
		Power did not connect Power connection clip did not install correctly or damage	Re-connect or replace the clip 
		Remote without battery	Change the battery
		Malfunction of the power supply	Replace power supply
		Malfunction of driver	Replace driver
2	Remote cant connects with driver	Did not collect the data of route	Re-do the data collect
3	Can not close the door properly	Can not close the door properly	
		There are some obstacles	Remove obstacles

	Problem	Reason	Solution
4	The door is not in place	Improper space between the door and the cabinet	Reinstall the main frame 
5	No reaction after pressing the door	Did not install the cushioning buckle properly	Re-install the cushioning buckle 
		Panel deformation	Replace the panel
5	No reaction when pressing the panel	Malfunction or no battery of the remote	Replace remote control or replace the battery
6	The door open too powerful or too weak	Did not adjust the frame in the best position	Adjust the power of frame   (Adjusting the wrench) (As shown in the figure)
7	The driver drop from the frame	Did not install the driver into the frame properly	Make sure the driver install into the frame properly 

Terms of warranty

Warranty condition

In the normal situation, the warranty of the products are 10 years.
The below situation are not included in the warranty?

- 1) Improper installation or operation.
- 2) Repair, fold or modify any component within the product without any permission.
- 3) Damage or alter the nameplate or the product code.
- 4) The operating environment does not conform to the description of the installation instructions.
- 5) Abnormal damage such as man-made damage, broken, unsafe transportation, pouring liquid, etc.
- 6) External factors such as: natural disasters, government bans, wars and other damage caused by force majeure.
- 7) A valid warranty certificate cannot be provided, or the warranty certificate has been altered.

Warranty period

- 1) Warranty is 10 years
- 2) The warranty period is calculated from the date of receiving the product.
- 3) The warranty period will not be extended, after any replacement

Warranty Certification

Order number or warranty card must be provided when applying for a warranty. (If the order number is not provided, the warranty period will calculated according to the date on the warranty card)

Remarks

- 1) For all gualifying warranty claims. Kodes will provide the component to the user or the distributor to replace it.
- 2) The repair parts will only send to the address which is same with the order.

