



MANUFACTURER  
FAREBOX SYSTEM

## Classic cartridge farebox

### Options available

- LED light
- Remote dump



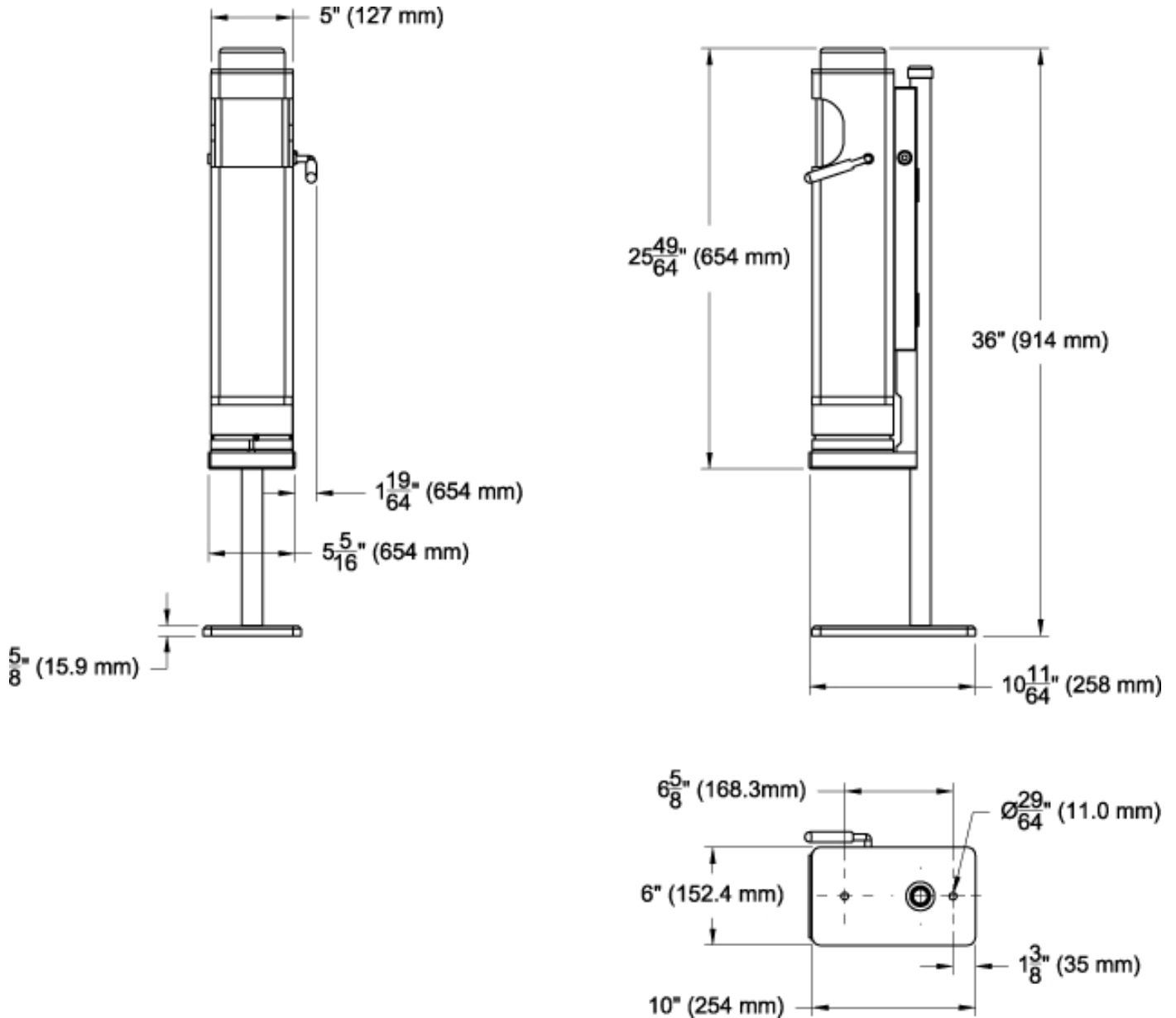
### Specifications :

- Coins, bills, tickets receiver
- 180 degrees for visual validation of fares.
- Rack with high security lock.
- Extra sturdy and light construction, with aluminium 6061-T6 (1/4 inch).
- Transfer cartridge installed on the bottom of the farebox to empty it in a secure vault without any human manipulation.
- The farebox hold up to \$2300 (330 inch<sup>3</sup>) in revenue (bills or coins), making it ideal for small bus operations or special service.
- Low maintenance costs.



MANUFACTURER  
FAREBOX SYSTEM

## Farebox dimensions Model: Classic cartridge



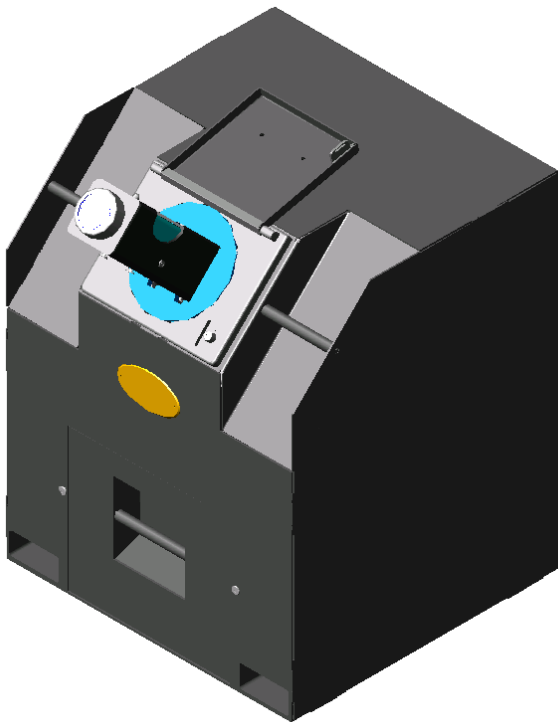
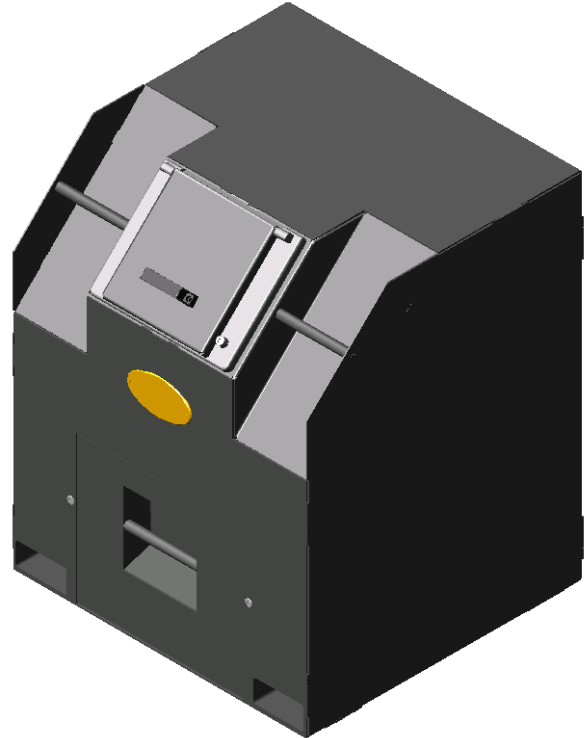


MANUFACTURER  
FAREBOX SYSTEM

## Safe deposit box Model: Classic farebox

### Specifications:

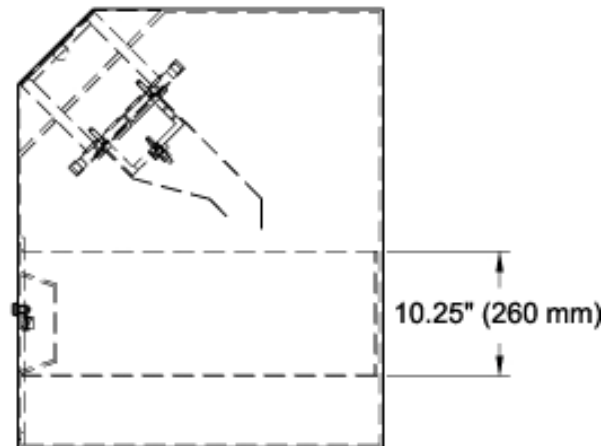
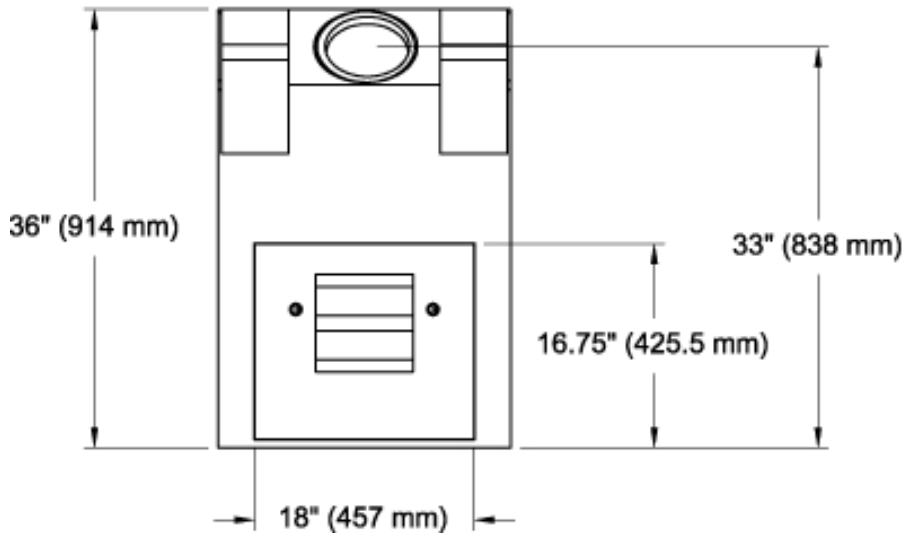
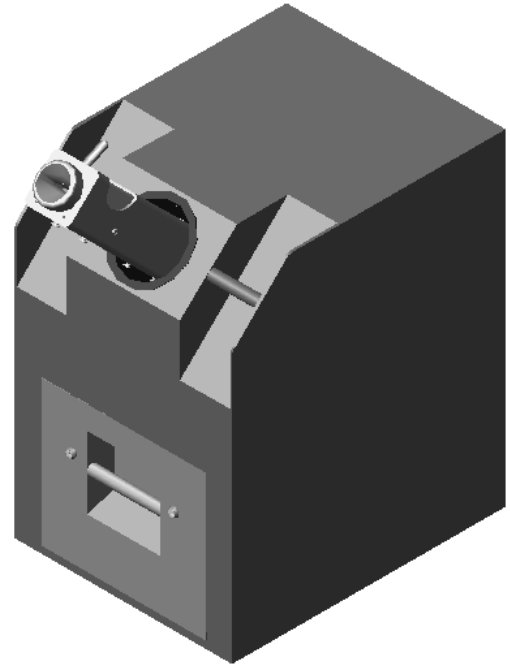
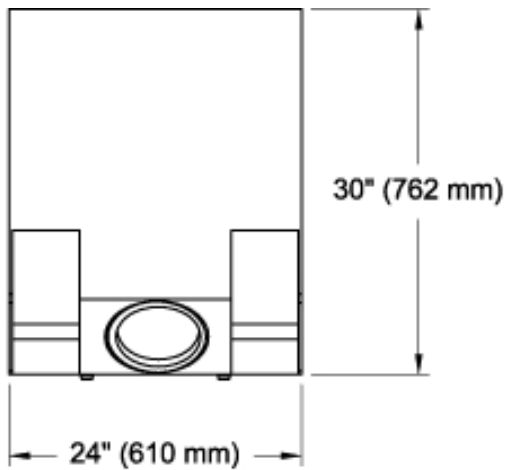
- Robust steel construction
- Covered with black powder paint with textured finish
- 3 High security locks (Abloy)
- Low maintenance cost
- Completely autonomous structure
- Simple mechanical operations
- Removable drawer on 4 wheels, 2 fixed and 2 rotating that lock.
- Volumetric capacity of the drawer: 4720 po<sup>3</sup> (77345 cm<sup>3</sup>).
- Pneumatic gun for dislodging paper.
- Pneumatic power requirement: 85 psi min (5.86 Bar min).





MANUFACTURER  
FAREBOX SYSTEM

## Safe-deposit Box Dimensions Model: Classic





MANUFACTURER  
FAREBOX SYSTEM

## Drawer Dimensions Model: Classic farebox

