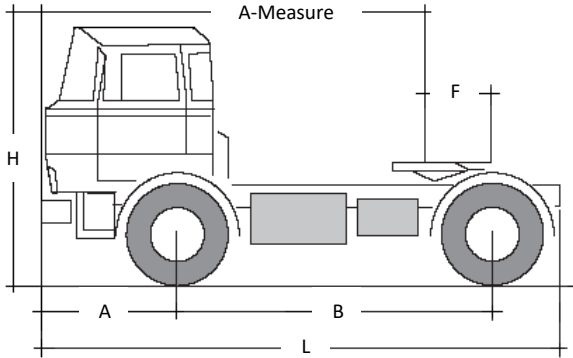
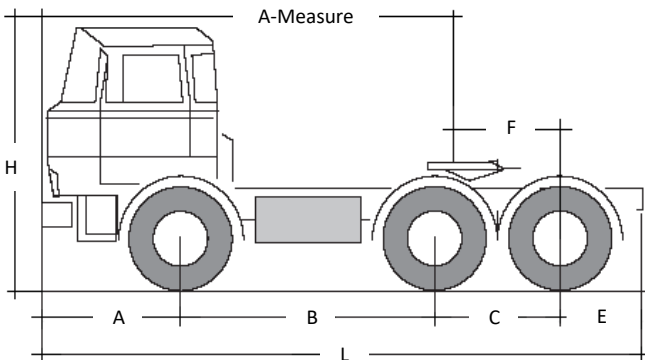


## TECHNICAL DATA FOR TRUCK – REQUEST \$70

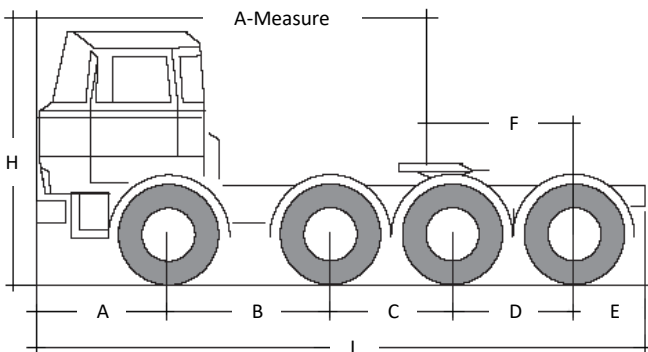
2-axle truck



3-axle truck  6x2  6x4



4-axle truck



*\* In combination with the semi-trailer*

*Since 01.01.2016 a certificate from the axle load indicator is obligatory for all new vehicles (trailer/truck)!*

Customer: \_\_\_\_\_  
 \_\_\_\_\_  
 \_\_\_\_\_

Manufacturer: \_\_\_\_\_

Type: \_\_\_\_\_

Number plate: \_\_\_\_\_

ID Number  
 \_\_\_\_\_

Capacity of the engine: \_\_\_\_\_ Kw

Axle load: Axle 1 \_\_\_\_\_ Kg

Axle 2 \_\_\_\_\_ Kg

Axle 3 \_\_\_\_\_ Kg

Axle 4 \_\_\_\_\_ Kg

Total weight: \_\_\_\_\_ Kg

Total weight of road train: \_\_\_\_\_ Kg\*

Unloaded weight: \_\_\_\_\_ Kg

A-Measure: \_\_\_\_\_ mm

A \_\_\_\_\_ mm

B \_\_\_\_\_ mm

C \_\_\_\_\_ mm

D \_\_\_\_\_ mm

E \_\_\_\_\_ mm

F \_\_\_\_\_ mm

L \_\_\_\_\_ mm

H \_\_\_\_\_ mm

Suspension:

	Axle 1	Axle 2	Axle 3	Axle 4
Air	<input type="radio"/>	<input type="radio"/>	<input type="radio"/>	<input type="radio"/>
Hydr.	<input type="radio"/>	<input type="radio"/>	<input type="radio"/>	<input type="radio"/>
Steel	<input type="radio"/>	<input type="radio"/>	<input type="radio"/>	<input type="radio"/>

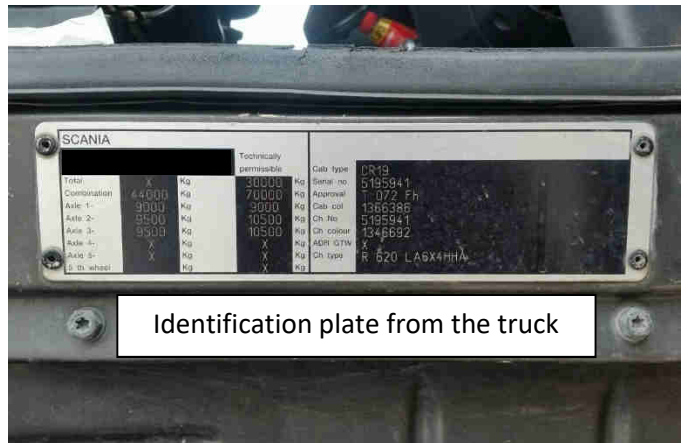
Crane mounted:  Yes  No

Board weighting system:  Yes  No

Pictures from the truck (see example here under) :



Identification plate from the 5<sup>th</sup> wheel



Identification plate from the truck