



BLDC TWIN-MOTOR COMPRESSOR Variable.



TWIN MOTORS

Equipped with more powerful twin motors to handle higher cooling loads as well as quieter operation. They are available in 24V and 48V DC.

WHY CHOOSE US?

ARCTIC 2-cylinder compressors have twice the efficiency of a single series, with reduced vibration for quieter operation. Additionally, an AC-DC converter allows operation on 110V-220V AC power.

CONTACT US



12V/24V/48V

Operates on 12V, 24V, and 48V for versatile supply. Applicable in Low Back Pressure (LBP), Medium Back Pressure (MBP), and High Back Pressure (HBP) systems.



Variable - PWM Drive

The advanced motor drive controller not only provides variable speed but also offers load-following capability for precise temperature control.



Small & Lightweight

1/17th in volume and 1/11th in weight compared to a reciprocating compressor, but it has double the cooling capacity and efficiency.

www.arctic-tek.com

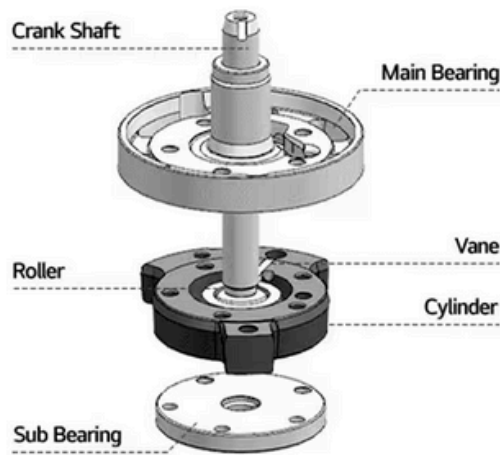
info@arctic-tek.com

50 Gambas Crescent #10-35 Proxima @Gambas Singapore

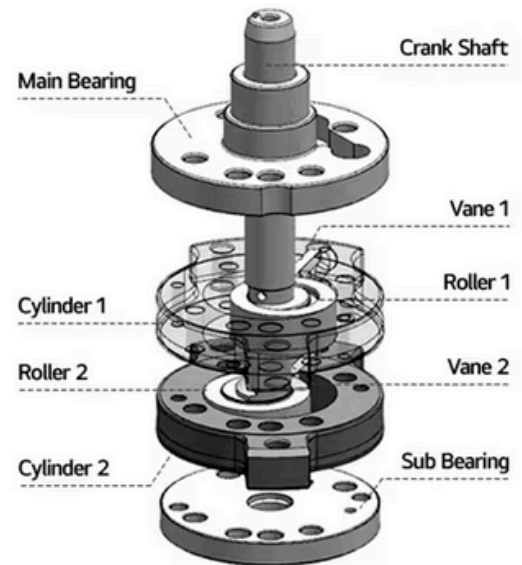


Twin-Cylinder

Remarkably low vibration enables manufacturers to cut development costs and materials, enhancing competitiveness. This structural advantage highlights the significant benefits over single cylinder compressors.



Single Rotary Compressor



Twin Rotary Compressor



Single Rotary Compressor

The center of gravity is biased toward one side because there is only one eccentric



Twin Rotary Compressor

The center of gravity is aligned because there are two eccentrics

WORLD'S SMALLEST

Only a child's fist size, upwards 1/7 weight, 1/12 volume of standard compressor...

Refrigerant: R134a / R290