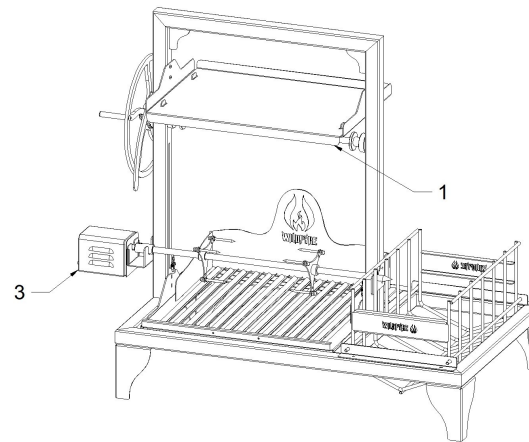
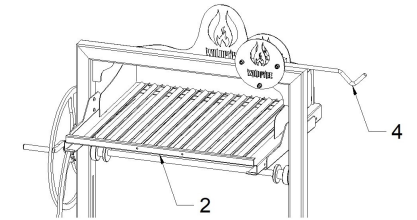


Can be configured with wheel on LH or RH side  
(please specify when ordering)

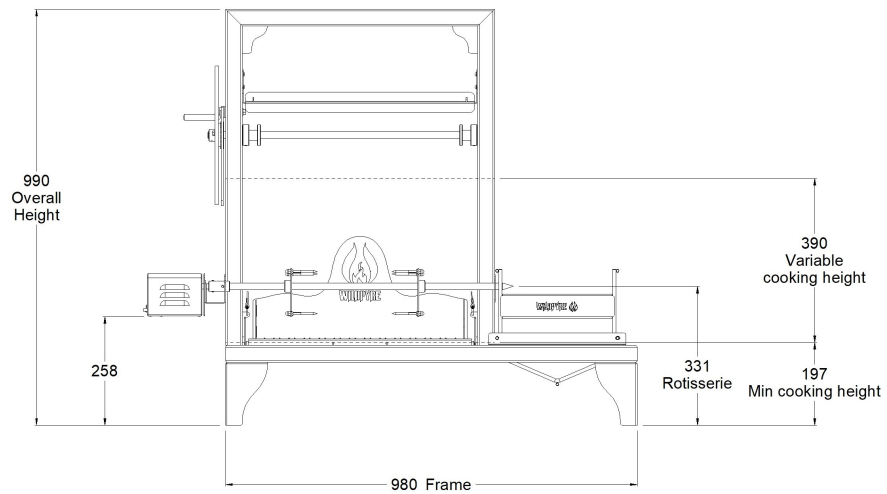


Options and Additions

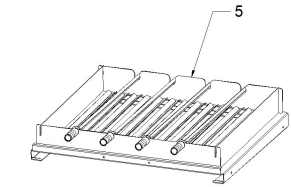
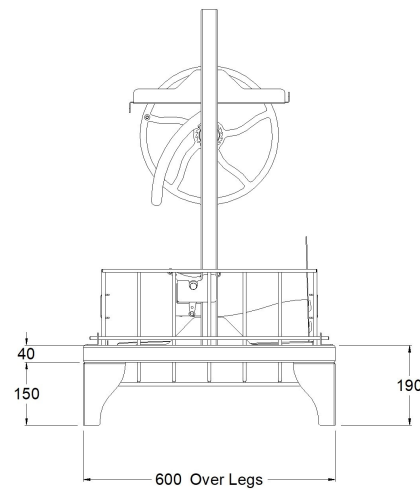
1. Warming Plate - optional
2. High Level Vee Grill - optional
3. Rotisserie Kit
4. Hook Bar Assembly
5. Skewer Assembly



FRONT



SIDE



DUAL SALTERO FUEGO PARRILLA GRILL  
DIMENSIONAL SPECIFICATIONS