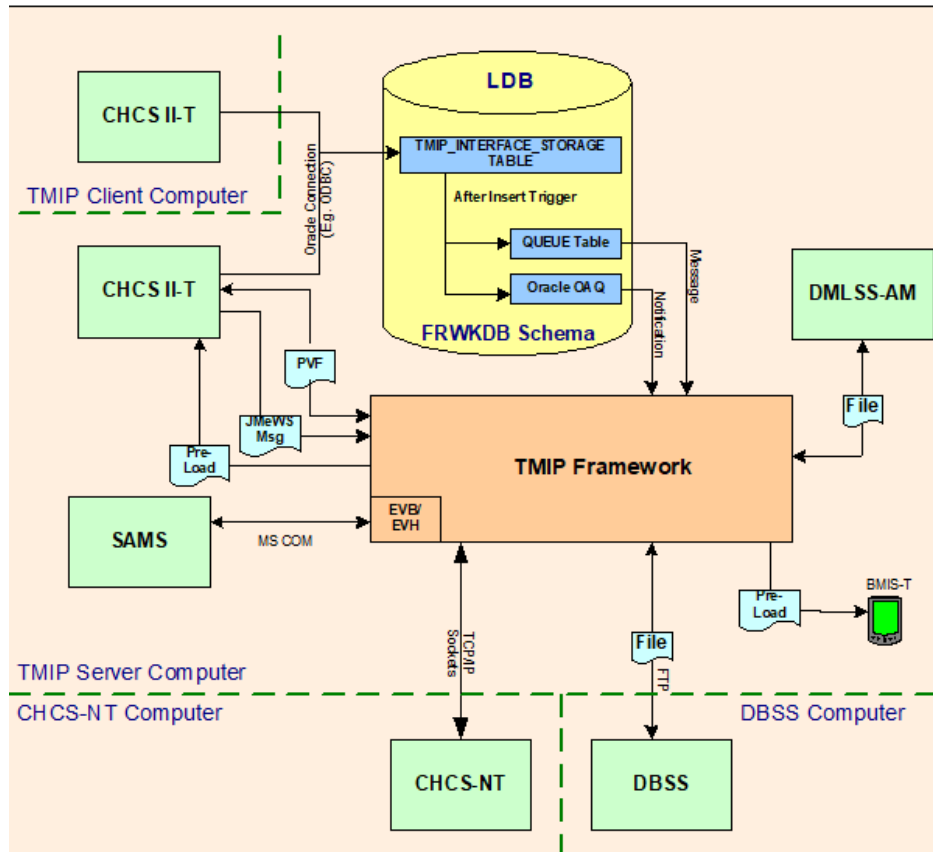


CfosSpeed 4.50 Build 1457 [multilang][32 64bit] Download



DOWNLOAD: <https://bytly.com/296bhx>

Download

a9c2e16639

[why did i get a facebook confirmation code](#)
[AdobePhotoshopLightroomCC2019201x64CrackSerialKeykeygen](#)
[Interview de Kami Hana Croft - \(France\)](#)
[Thattathin marayathu full movie with english subtitles](#)
[Private.com Premium Accounts 21 October 2019](#)
[Race.II.Colore.Della.Vittoria.2016.iTALiAN.MD.TELESYNC.XviD-Gu.avi](#)
[guitar hero 3 crack 1.3 download](#)
[ms store crack windows 10](#)
[Lynda – After Effects: Character Animation Techniques](#)
[Angry Birds Space Activation Key Download.zip](#)